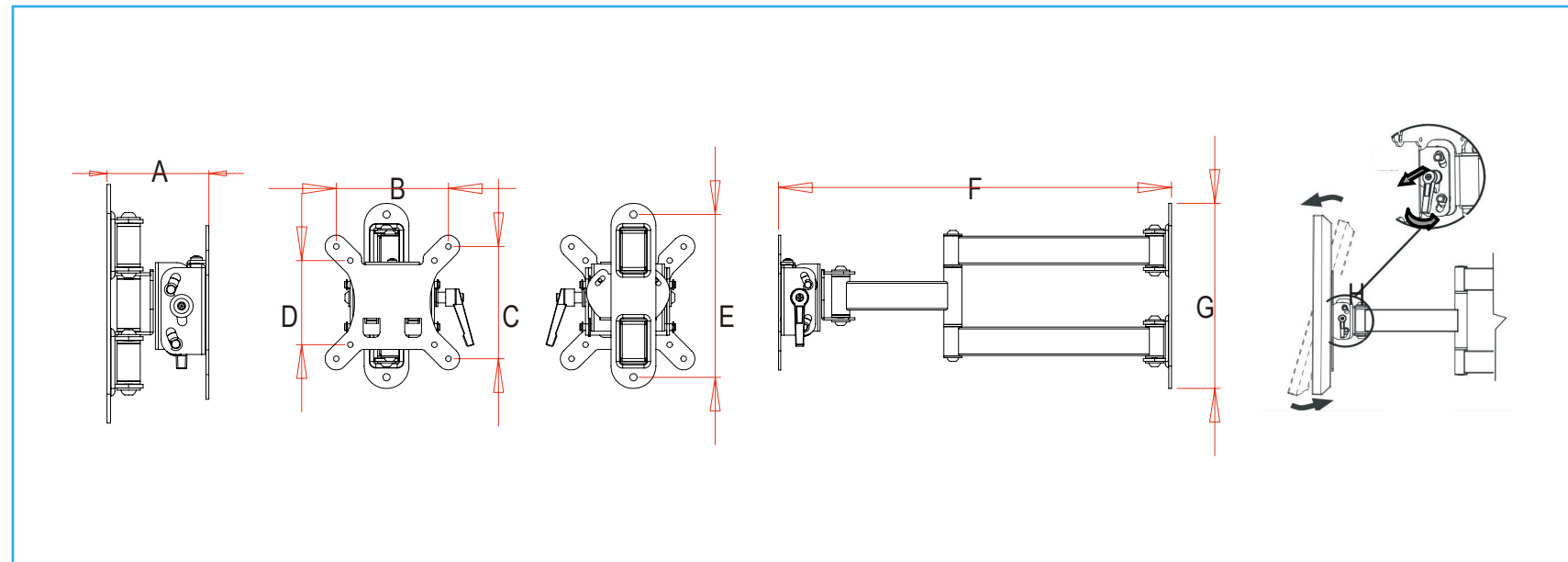


Model Name: Cantilever Mount MHA-100

Flat panel 10"-22"



TECHNICAL SPECIFICATIONS		
A.	71mm	2.80"
B.	100mm	3.94"
C.	100mm	3.94"
D.	75mm	2.95"
E.	145mm	5.71"
F.	350mm	13.78"
G.	165mm	6.50"
H.	+15°	

- . Fits for 10"- 22"flat panel displays
- . Available in silver and black
- . Max load capacity:30lbs
- . VESA:100x100
- . Tilting angle is +15°