

MONOPRICE®

# 3 Outlet Wall-Mount Surge Protector with Coax Protection

## USER'S MANUAL PID 10529



V1.0

May 8, 2013

TABLE OF CONTENTS

1 FEATURES ..... 3

2 SPECIFICATIONS ..... 3

3 INSTALLATION..... 4

4 SAFETY WARNINGS..... 5

# 1. FEATURES

- Includes three protected power outlets
- Includes coaxial protection for use with satellite antenna or cable TV lines
- Provides superior surge protection and EMI/RFI filtration
- Uses X3 Metal Oxide Varistor technology
- Includes thermal fuses to protect against excessive heat and fire
- 90° rotating design for the coaxial connection and the lower power outlet
- LED indicates when the surge function is operating properly

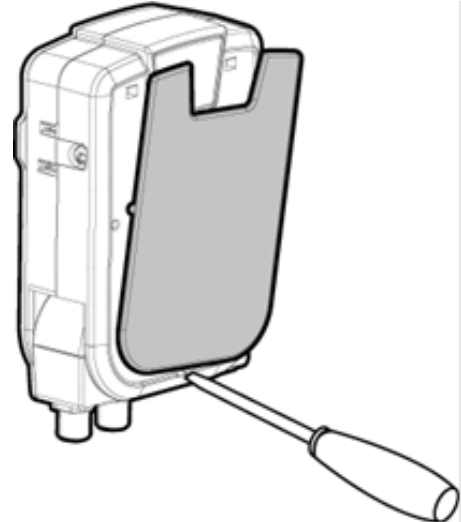
# 2. SPECIFICATIONS

<b>Electrical Rating</b>	15A, 120V, 60Hz, 1800 Watts
<b>Surge Lines Protected</b>	3-Line (L-N, L-G, N-G)
<b>UL Clamping Voltage</b>	L-N 400V, L-G 400V, N-G 400V
<b>Surge Energy Joule Rating</b>	1080 Joules
<b>Maximum Spike Current</b>	72,000 Amps (3 Line Total)
<b>Response Time</b>	< 1 Nanosecond
<b>Max. Spike Voltage</b>	6 KV
<b>EMI/RFI Noise Filter</b>	Yes
<b>Frequency</b>	150KHz~100MHz
<b>Attenuation</b>	Up to 40dB
<b>DSS/Coax Cable Line Protection</b>	Yes
<b>Surge Arrestor</b>	Gas Tube
<b>Breakdown Voltage</b>	< 75V
<b>Insertion Loss</b>	< 0.1 dB

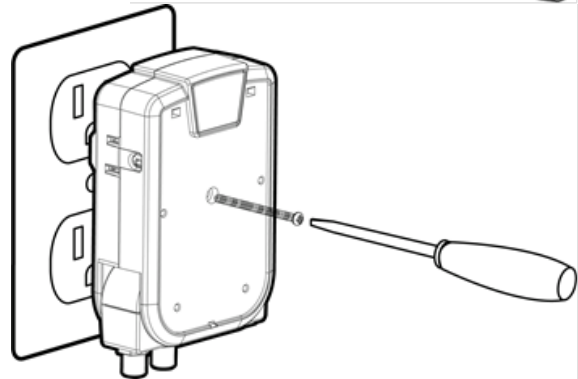
### 3. INSTALLATION

For long-term use it is best to secure the power tap to the wall outlet. To do so, perform the following steps:

1. Insert a small flat screwdriver into the slot at the bottom of the faceplate and carefully pry the faceplate loose from the power tap.



2. Remove the center screw from the faceplate of the wall outlet. Leave the faceplate in place.



3. Using the included security screw and a Philips screwdriver, secure the power tap to the wall outlet. Tighten, but do not overtighten.



4. Align the tabs on the faceplate and snap it back into place on the power tap.

into

## 4. SAFETY WARNINGS

- This product is for indoor, dry use only. It should not be used for aquariums or other water-related devices.
- The power tap must be plugged directly into a wall outlet. Do not plug it into another surge protector or power strip.
- Do not exceed the rated electrical levels. Doing so could cause the wiring in the wall outlet to overheat, which could start a fire.
- This device is intended to protect your electrical equipment from voltage and current spikes and other anomalies. It is not a lightning arrestor and will not provide full protection in the event of a lightning strike.