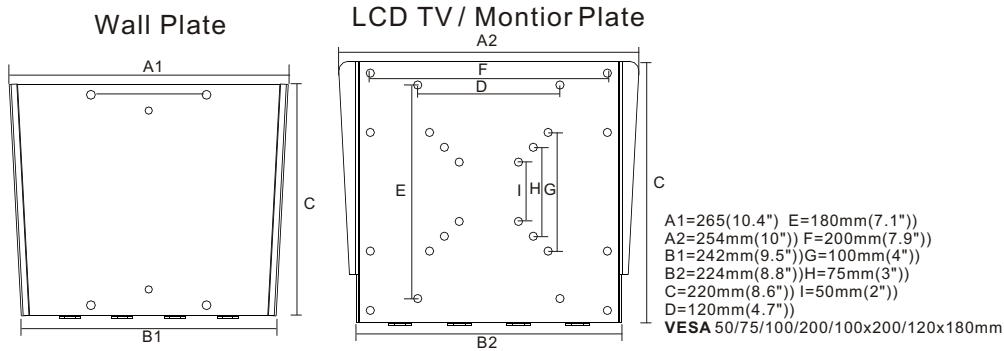


# Instruction 1

## 2-sided page

### Quick Mount LCD Monitor / TV Kit



Use the 2<sup>1</sup>/<sub>4</sub>" wood screws, mount the wall plate to wall stud or use enclosed sheet rock mollies

Use the 1<sup>1</sup>/<sub>2</sub>" bolts, mount the monitor plate to back of monitor, (Note corners holes to accommodate both 75/100/200mm VESA systems)



Use the 1<sup>1</sup>/<sub>4</sub>" bolts to lock and secure your monitor in place

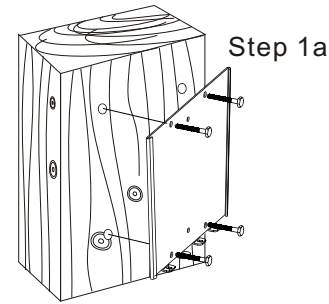


**Note:** Bracket is intended for use on LCD monitors up to 35kgs/77lbs

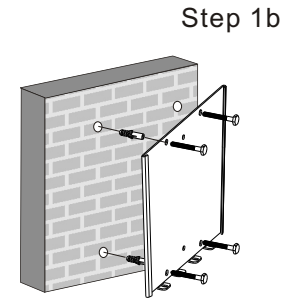
VESA<sup>®</sup> is a registered Trademark of the Video Electronics Standards Association

**Front**

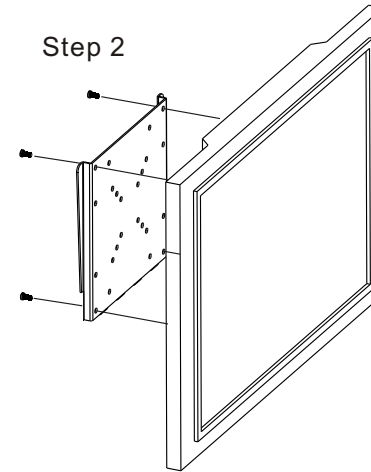
### AS Easy as 1,2,3!



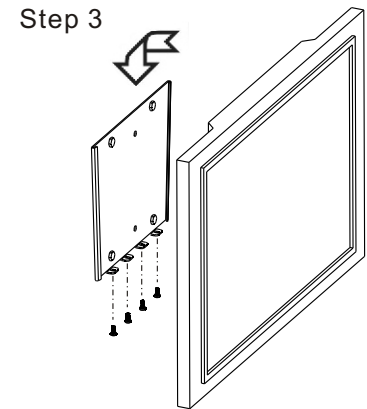
Using the 2<sup>1</sup>/<sub>4</sub>" wood screws, mount the wall plate to **wall stud**



Pre-drill these mounting holes with a 10mm masonry bit to an least 60mm in depth. Using the 2<sup>1</sup>/<sub>4</sub>" wood screws and concrete anchor mount the wall plate to **wall**



Using the 1<sup>1</sup>/<sub>2</sub>" bolts, mount the monitor plate to back monitor, Depending on your monitor, Use the 75mm or 100mm pre-drilled holes



Simply slip your monitor onto your wall mount, and secure with 1<sup>1</sup>/<sub>4</sub>" locking bolts from below, and you are finished! Enjoy!

VESA<sup>®</sup> is a registered Trademark of the Video Electronics Standards Association

**Back**