



Premium Bluetooth® 5 Transmitter and Receiver



P/N 38071

User's Manual

SAFETY WARNINGS AND GUIDELINES

Please read this entire manual before using this device, paying extra attention to these safety warnings and guidelines. Please keep this manual in a safe place for future reference.

- This device is intended for indoor use only.
- Do not expose this device to water or moisture of any kind. Do not place drinks or other containers with moisture on or near the device. If moisture does get in or on the device, immediately turn it off and allow it to fully dry before turning it back on. If plugged into a USB charging source, unplug it.
- Do not touch the device or any connected cables with wet hands.
- Do not expose this device to excessive vibration.
- Do not expose this device to excessively high temperatures. Do not place it in, on, or near a heat source, such as a fireplace, stove, radiator, etc. Do not leave it in direct sunlight.
- Do not place or install this device in an area where it can be exposed to excessive amounts of dust, humidity, oil, smoke, or combustible vapors.
- This device contains a rechargeable battery. Dispose of this device only in accordance with local, state, or federal regulations for electronic waste.
- Charge the battery before first use and at least once every three months to keep it fresh and capable of holding the full charge.
- Clean using a soft, dry cloth only. Do not use chemical cleaners, solvents, or detergents. For stubborn deposits, moisten the cloth with warm water.
- This device has no user serviceable parts. Do not attempt to open, service, or modify this device.

INTRODUCTION

The Monoprice Bluetooth® 5 Transmitter and Receiver allows you to turn any device into a Bluetooth-enabled one. It uses Bluetooth version 5 and features the Qualcomm® aptX™, aptX™ HD, and aptX™ Low Latency codecs for crystal clear streaming and perfect synchronization. This single adapter can be used as a receiver for streaming from your mobile device or as a transmitter, allowing you to stream audio from your television or Blu-ray Disc™ player to a Bluetooth speaker. It can pair with up to two devices at the same time and features both 3.5mm stereo analog and digital optical S/PDIF connections for greater flexibility. The built-in rechargeable battery can deliver up to 20 hours of audio playback.

FEATURES

- Supports Bluetooth® 5 with the A2DP and AVRCP profiles
- Can be used as a transmitter or receiver
- Includes 3.5mm and S/PDIF digital optical connections
- Can be paired to two devices at the same time
- Supports the Qualcomm® aptX™, aptX HD, and aptX Low Latency audio codecs
- 350mAh built-in rechargeable battery provides up to 20 hours of playback time

CUSTOMER SERVICE

The Monoprice Customer Service department is dedicated to ensuring that your ordering, purchasing, and delivery experience is second to none. If you have any problem with your order, please give us an opportunity to make it right. You can contact a Monoprice Customer Service representative through the Live Chat link on our website www.monoprice.com or via email at support@monoprice.com. Check the website for support times and links.

PACKAGE CONTENTS

Please take an inventory of the package contents to ensure you have all the items listed below. If anything is missing or damaged, please contact Monoprice Customer Service for a replacement.

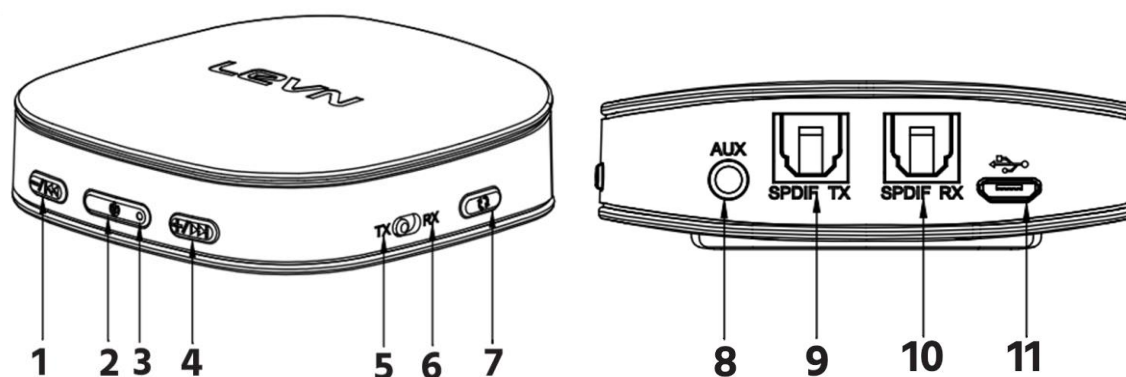
1x Bluetooth® Receiver and Transmitter

1x S/PDIF Digital Optical Audio Cable

1x 3.5mm Audio Cable

1x Micro USB Charging Cable

PRODUCT OVERVIEW



1. **-/⏮**: Momentarily press the button to decrease the volume by one step. Press and hold the button for about 2 seconds to skip back to the previous track.
2. **POWER**: Momentarily press the button to pause or resume audio playback in receiver mode. Press and hold the button for about 2 seconds to turn the unit on or off. The **LED** blinks blue twice when the unit is turned off and blinks red twice when it is turned on.
3. **LED**: The **LED** illuminates in various colors and ways to indicate the status of the device. Refer to the *LED INDICATIONS* section for details.
4. **+/⏭**: Momentarily press the button to increase the volume by one step. Press and hold the button for about 2 seconds to skip forward to the next track.

5. **TX:** When the switch is in the **TX** position, the device operates as a Bluetooth® transmitter. **IMPORTANT!** Turn the device off for at least 3 seconds before changing the operating mode. Note that changing the mode deletes all existing Bluetooth pairings.
6. **RX:** When the switch is in the **RX** position, the device operates as a Bluetooth receiver. **IMPORTANT!** Turn the device off for at least 3 seconds before changing the operating mode. Note that changing the mode deletes all existing Bluetooth pairings.
7. **PAIR:** Momentarily press the button to enter Bluetooth pairing mode. The button has no effect when operating in Multipoint Mode.
8. **AUX:** 3.5mm TRS stereo audio input/output connector.
9. **SPDIF TX:** S/PDIF digital optical audio input for use in TX mode.
10. **SPDIF RX:** S/PDIF digital optical audio output for use in RX mode.
11. **USB:** Micro USB charging connector.

CHARGING

This device features a built-in rechargeable battery. The battery should be fully charged before first use and should be charged at least once every 3 months to keep it fresh and capable of holding a full charge. A full charge takes up to 2 hours to complete. Note that the unit can be operated while it is being charged, though charging will take longer to complete.

To charge the device, plug one end of the included Micro USB Charging Cable into the **USB** port on the device, then plug the other end into a USB power source, such as a wall charger or computer port (not included). The **LED** will illuminate solid red while charging is in progress. The **LED** will turn off when charging is complete.

Note that the charge indication on the **LED** will override any other indications if the device is in use during charging.

DELETING BLUETOOTH PAIRINGS

Perform the following steps to delete any existing Bluetooth® pairings from memory.

1. If the device is not already powered on, press and hold the **POWER** button for about 2 seconds to turn the device on. The **LED** will flash blue twice.
2. Wait at least 3 seconds, then press and hold the **POWER** button for about 2 seconds to turn the device off. The **LED** will flash red twice.
3. Wait at least 3 seconds, then slide the **TX/RX** switch to the opposite position.
4. Press and hold the **POWER** button to turn the device on. The **LED** will flash blue twice. All Bluetooth pairings are now cleared.

CODEC PRIORITIES

This device supports five different audio codecs, ranging in quality from Qualcomm® aptX™ HD to the more common SBC. It will automatically select the highest quality codec that is common to all connected devices. The codec priorities are shown below, from top to bottom:

aptX HD

aptX Low Latency

aptX

AAC (receiver only)

SBC

LED INDICATIONS

Function	LED Indication
Power On	Flash blue two times
Power Off	Flash red two times
Low Battery	Flashes red
Charging	Solid red
Charging Complete	Off
Bluetooth® Pairing Mode (TX Mode)	Flashes blue
Bluetooth Pairing Mode (RX Mode)	Flashes red and blue alternately
Unconnected Standby Mode (TX Mode)	Flashes blue one time each second
Unconnected Standby Mode (RX Mode)	Flashes blue two times every 3 seconds
Connected Standby Mode	Solid blue
Connected Working Mode (aptX™ HD codec)	Flashes blue four times every 10 seconds
Connected Working Mode (aptX™ Low Latency codec)	Flashes blue three times every 10 seconds
Connected Working Mode (aptX codec)	Flashes blue two times every 10 seconds
Connected Working Mode (AAC codec)	Flashes blue six times every 10 seconds
Connected Working Mode (SBC codec)	Flashes blue one time every 10 seconds
Connected Multipoint Mode	Solid green

TRANSMITTER (TX) MODE OPERATION

Bluetooth Pairing (TX)

Perform the following steps to pair the transmitter with a Bluetooth® device, such as headphones or a speaker.

1. If the unit is powered on, press and hold the **POWER** button for about 2 seconds to turn it off. The **LED** will flash red twice.
2. Wait at least 3 seconds, then slide the **TX/RX** switch to the **TX** position.
3. Press and hold the **POWER** button for about 2 seconds to turn the unit on. The **LED** will flash blue twice.
4. Momentarily press the **PAIR** button. The **LED** will begin rapidly flashing blue, indicating that the unit is in Bluetooth pairing mode in TX mode.
5. Turn on your Bluetooth device and put it into pairing mode. The two devices will pair and connect within 5-30 seconds. Once connected, the **LED** will begin to slowly blink blue.
6. Connect your audio source device, such as an mp3 player, to the transmitter using either the included 3.5mm audio cable or the included S/PDIF digital optical cable. If using an S/PDIF cable, use the **SPDIF TX** input.

Multipoint Pairing (TX)

Perform the following steps to pair the transmitter with a two Bluetooth® devices, such as headphones or speakers.

1. If you have not already paired a single device, perform the steps in the *Bluetooth Pairing (TX)* section above to pair the first device.
2. Momentarily press the **PAIR** button. The **LED** will rapidly flash blue, indicating that the transmitter is in Bluetooth pairing mode.
3. Turn on your Bluetooth device and put it into pairing mode. The two devices will pair and connect within 5-30 seconds. Once connected, the **LED** will illuminate solid

green. Note that the green **LED** will override other **LED** indications while Multipoint Mode is active.

RECEIVER (RX) MODE OPERATION

Bluetooth Pairing (RX)

Perform the following steps to pair the receiver with a Bluetooth® device, such as a mobile phone or tablet.

1. If the unit is powered on, press and hold the **POWER** button for about 2 seconds to turn it off. The **LED** will flash red twice.
2. Wait at least 3 seconds, then slide the **TX/RX** switch to the **RX** position.
3. Press and hold the **POWER** button for about 2 seconds to turn the unit on. The **LED** will flash blue twice.
4. Momentarily press the **PAIR** button. The **LED** will rapidly flash red and blue alternately, indicating that the receiver is in Bluetooth pairing mode in RX mode.
5. Open the Bluetooth settings on your mobile device and scan for available Bluetooth devices. Locate and select the **BTI-039** entry. If prompted for a pass code, enter **0000** (four zeros). Once connected, the **LED** will begin to slowly blink blue.
6. Connect your audio playback device, such as powered speakers or a power amplifier, to the receiver using either the included 3.5mm audio cable or the included S/PDIF digital optical cable. If using an S/PDIF cable, use the **SPDIF RX** output.

Multipoint Pairing (RX)

Perform the following steps to pair the receiver with two Bluetooth® devices, such as mobile phones or tablets.

1. If you have not already paired a single device, perform the steps in the *Bluetooth Pairing (RX)* section above.

2. Momentarily press the **PAIR** button. The **LED** will rapidly flash red and blue alternately, indicating that the receiver is in Bluetooth® pairing mode.
3. Open the Bluetooth settings on your second device and scan for available Bluetooth devices.
4. Locate and select the **BTI-039** entry. If prompted for a pass code, enter **0000** (four zeros). Once connected, the **LED** will illuminate solid green. Note that the green **LED** will override other **LED** indications while Multipoint Mode is active.

Note that, although two devices are connected, only one can play audio at a time.

TECHNICAL SUPPORT

Monoprice is pleased to provide free, live, online technical support to assist you with any questions you may have about installation, setup, troubleshooting, or product recommendations. If you ever need assistance with your new product, please come online to talk to one of our friendly and knowledgeable Tech Support Associates. Technical support is available through the online chat button on our website www.monoprice.com or through email by sending a message to tech@monoprice.com. Check the website for support times and links.

SPECIFICATIONS

Model	38071
Bluetooth® Version	5
Supported Bluetooth Profiles	A2DP, AVRCP
Bluetooth Range	Up to 32 feet (10 meters)
Bluetooth Pairing Name	BTI-039
Supported Receiver Codecs	aptX™, aptX HD, aptX Low Latency, AAC, SBC
Supported Transmitter Codecs	aptX™, aptX HD, aptX Low Latency, SBC
Battery Capacity	350mAh
Charging Time	About 2 hours
Operating Time	AUX RX: about 17.5 hours AUX TX: about 20 hours S/PDIF RX: about 12.5 hours S/PDIF TX: about 14 hours
Standby Time	About 120 hours
Operating Temperature	+14 ~ +131°F (-10 ~ +55°C)
Dimensions	2.8" x 2.8" x 0.9" (71 x 71 x 22 mm)
Weight	1.3 oz. (36g)

REGULATORY COMPLIANCE

Notice for FCC



This device complies with Part 15 of the FCC rules. Operation is subject to the following two conditions: (1) this device may not cause harmful interference, and (2) this device must accept any interference received, including interference that may cause undesired operation.

Modifying the equipment without Monoprice's authorization may result in the equipment no longer complying with FCC requirements for Class B digital devices. In that event, your right to use the equipment may be limited by FCC regulations, and you may be required to correct any interference to radio or television communications at your own expense.

This equipment has been tested and found to comply with the limits for a Class B digital device, pursuant to Part 15 of the FCC Rules. These limits are designed to provide reasonable protection against harmful interference in a residential installation. This equipment generates, uses and can radiate radio frequency energy and, if not installed and used in accordance with the instructions, may cause harmful interference to radio communications. However, there is no guarantee that interference will not occur in a particular installation. If this equipment does cause harmful interference to radio or television reception, which can be determined by turning the equipment off and on, the user is encouraged to try to correct the interference by one or more of the following measures:

- Reorient or relocate the receiving antenna.
- Increase the separation between the equipment and receiver.
- Connect the equipment into an outlet on a circuit different from that to which the receiver is connected.
- Consult the dealer or an experienced radio/TV technician for help.

Notice for Industry Canada

This Class B digital apparatus complies with Canadian ICES-003.

Cet appareil numérique de la classe B est conforme à la norme NMB-003 du Canada.

Monoprice™ and all Monoprice logos are trademarks of Monoprice Inc.

The Bluetooth® word mark and logos are registered trademarks of Bluetooth SIG, Inc.

Qualcomm® is a trademark of Qualcomm Incorporated, registered in the United States and other countries. aptX™ and the aptX logo are trademarks of Qualcomm Technologies International, Ltd., registered in the United States and other countries. Qualcomm® aptX™ is a product of Qualcomm Technologies International, Ltd.

Blu-ray Disc™, Blu-ray™, and the logos are trademarks of the Blu-ray Disc Association.