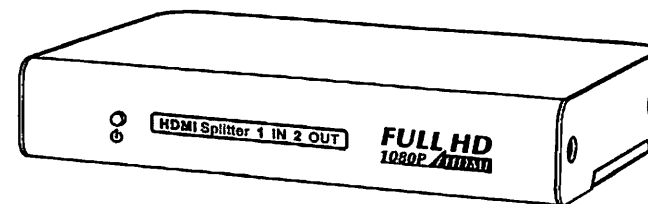


TROUBLE SHOOTING

1. When there is no picture present, please:
 - Check all the connection is correct and all connectors are connected well.
 - Check the quality of connected cable, and make sure the cable does not damage.
 - Reset the HDMI-120E3.
2. How to reset the standard output resolution:
 - Connect all cables and reset the HDMI-120E3, the first detected port resolution that can match with the resolution of source will become standard output resolution. (If there are 2 HDTV Displays, the first detected port will be OUTPUT2.)
 - Disconnect all cables and reset the HDMI-120E3, and then connect HDMI cable from the display, one by one. The resolution of the first plug in display will become the standard resolution for all outputs if it matches with the resolution of source.
3. How to make sure your input and output devices are suitable with HDMI-120E3?
 - Whether all devices are HDCP compliant?
 - Whether all HDMI cables stay in good quality as well as connectors?
 - Make sure all HD displays support the same resolution (720p, 1080i, or 1080p).
4. When there is only picture displayed and without sound:
 - Check all the connection is correct and all connectors connect well.
 - Check your cable to see if it supports video transmission only or it is damaged.
 - HDCP may not match very well at first connection; please reset your HDMI-120E3 again.
 - Do you connect any recorder to the output port of HDMI Splitter? HDCP may lock up audio part.
5. When resolution could not show in 1080p?
 - Make sure your sources (HD Player) and displays are fully supporting 1080p.

MONOPRICE® HDMI Splitter

1 input 2 outputs
HDMI-120E3



INTRODUCTION

Congratulations on your purchase of the HDMI-120E3 Splitter. Your satisfaction is very important to us. Our series of HDMI Switcher and Splitter are designed to make the use of your HDTV equipment more comfortable, productive and affordable.

The HDMI-120E3 allows one HD source device to support up to two HDTV displays. Both HDTV displays will have same quality image as the source.

The amplifier and equalizer functions offer solutions for Home Theater, AV installation data center, information distribution, conference room presentation, school and corporate training environment.

FEATURES AND CONTENTS

For the best performance of this HDMI splitter box, please read this manual carefully and keep it for further information

Features:

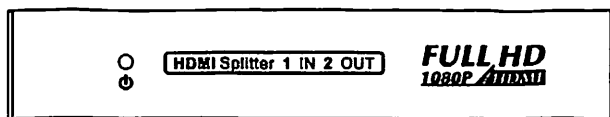
- Fully support 1080p HDTV
- Support HDCP compliant devices
- Gold plated connectors
- Maintains same image quality as source, up to 1080p
- Amplifier and Equalizer functions enable longer HDMI Cable
- Expand 2 HDMI outputs of your High-definition Source
- Fashionable metal housing design, free of interference

Content of Package

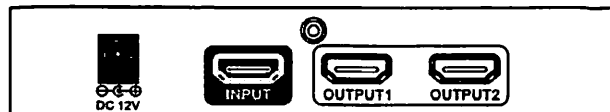
- DC 12V Power Supply
- HDMI-120E3 Splitter main unit
- User's manual

ILLUSTRATION

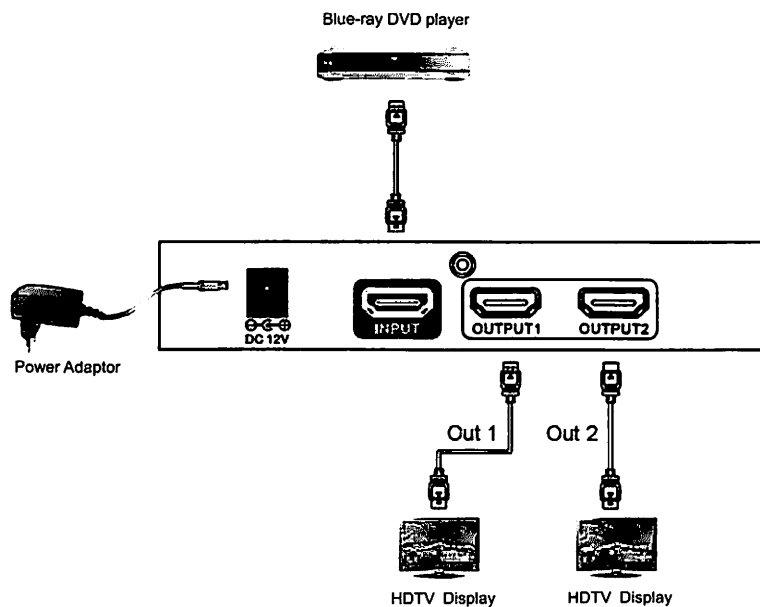
Front Panel



Rear Panel



CONNECTION ILLUSTRATION



CONNECTING AND OPERATION

Connect the HDMI-120E3 Splitter to your devices

1. Connect the HDMI cable from the HD source to the input port of HDMI-120E3 Splitter.
2. Connect the HDMI cables from your displays (monitor or projector) to the outputs of the HDMI-120E3 Splitter.
3. Standard resolution of outputs set up:
The resolution of the first device plugged into the splitter's output will be the default resolution of the other output. (If two HDTV displays are connected to the HDMI-120E3 Splitter before the power was connected, the resolution will be set by the HDTV display which is connected to the second output port.)
4. Plug the 12VDC power supply into the HDMI-120E3 Splitter.
5. When connections are completed, the HDTV signal will be distributed to each HDTV display.
6. For the best performance, you should re-start the HDMI-120E3 splitter power to make sure the HDMI-120E3 is working well in HDCP between HD player and Display devices, when the HDMI cable was disconnected after your use last time.

ATTENTIONS

- HDMI-120E3 will distribute one resolution only at one time. Resolution mode will depend on the first in or the first of the sequent display devices. Make sure your display devices are HDCP compliant and fully support HDCP.
- To reset the HDMI Splitter, please unplug the power adaptor, or unplug the power cord from DC jack; and then plug it back.