

# INSTALLATION GUIDE

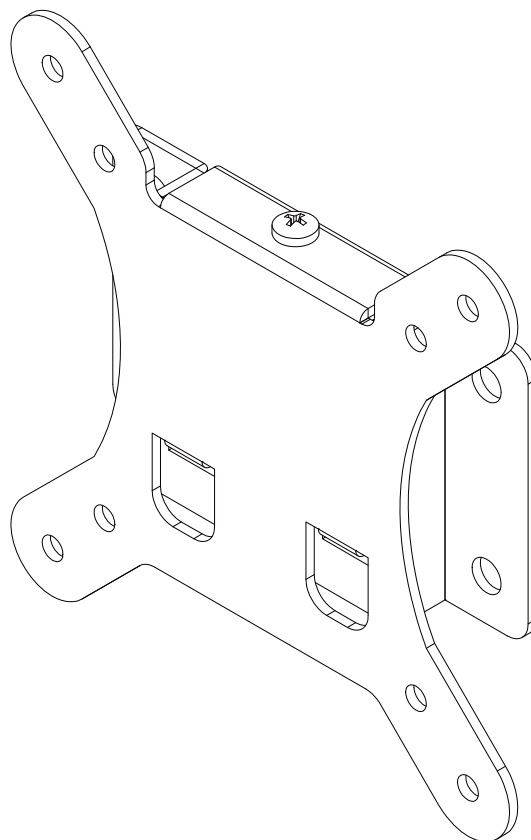
## Flat Panel Mount

### MHF-26

Support 10" to 26" Screens

Max Load Capacity: 30 lbs (15 kg)

**VESA 75x75 / 100x100 compatible**



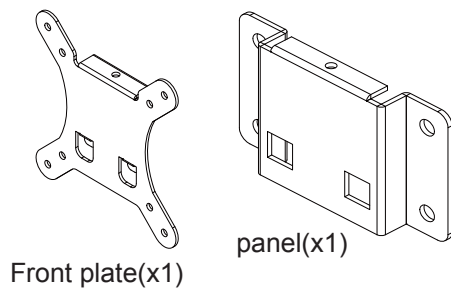
# Installation Instructions

Model Name:MHF-26 Universal Wall Mount  
Flat panel 10"-26"

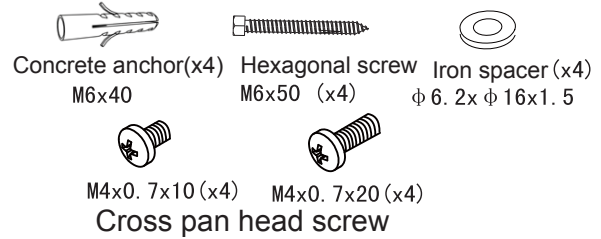
## Important Note:

- This bracket supports plasma,LCD displays,the maximum loading capacity is 30lbs.
- VESA: 75x75 (3"x3") 100x100 (4"x4") compatible.

## Component Checklist:

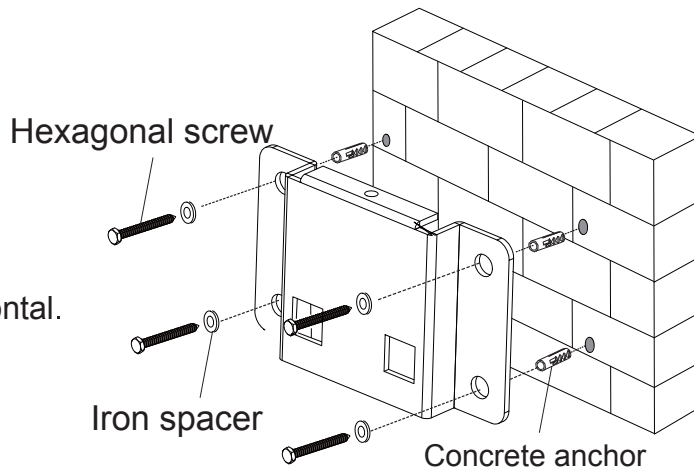


### Part List



## Ⓐ Mounting the wall plate

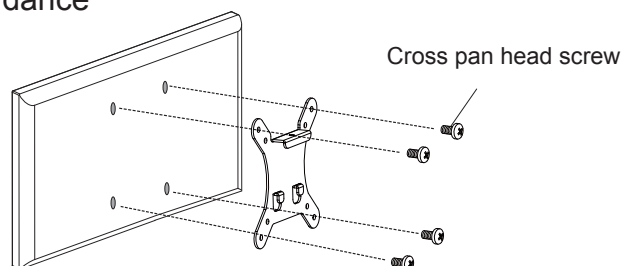
NOTE: Use a level to ensure the wall plate is horizontal.



## Ⓑ Fix the front plate on the display screen

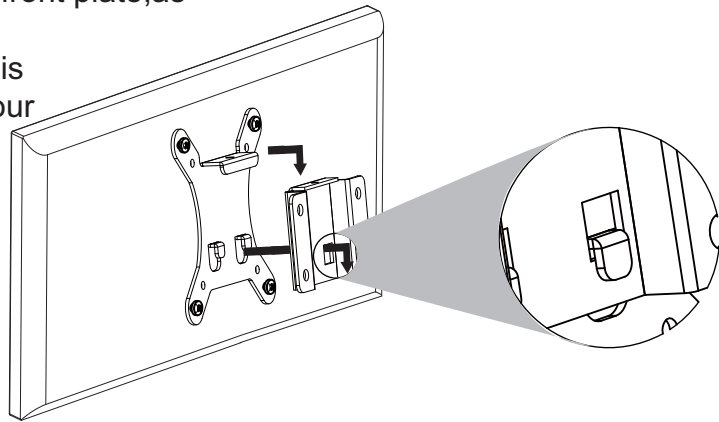
NOTE:Make sure the installation in accordance with following pictures.

VESA: 75x75 / 100x100

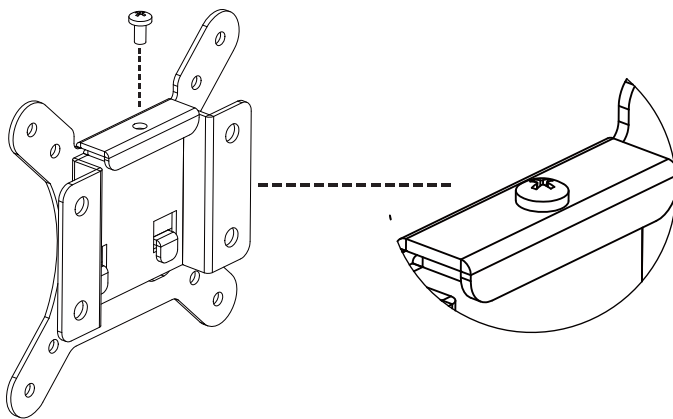


### © Put the front plate on the wall panel

- Hang the locked screen on the front plate, as shown in the right picture.
- Be careful when you operate this bracket, or you may damage your screen.



### ④ Fix the wall plate and front plate



- After the locked front plate is hanging on the wall plate, use a M4X12 cross pan head to fix these two parts.