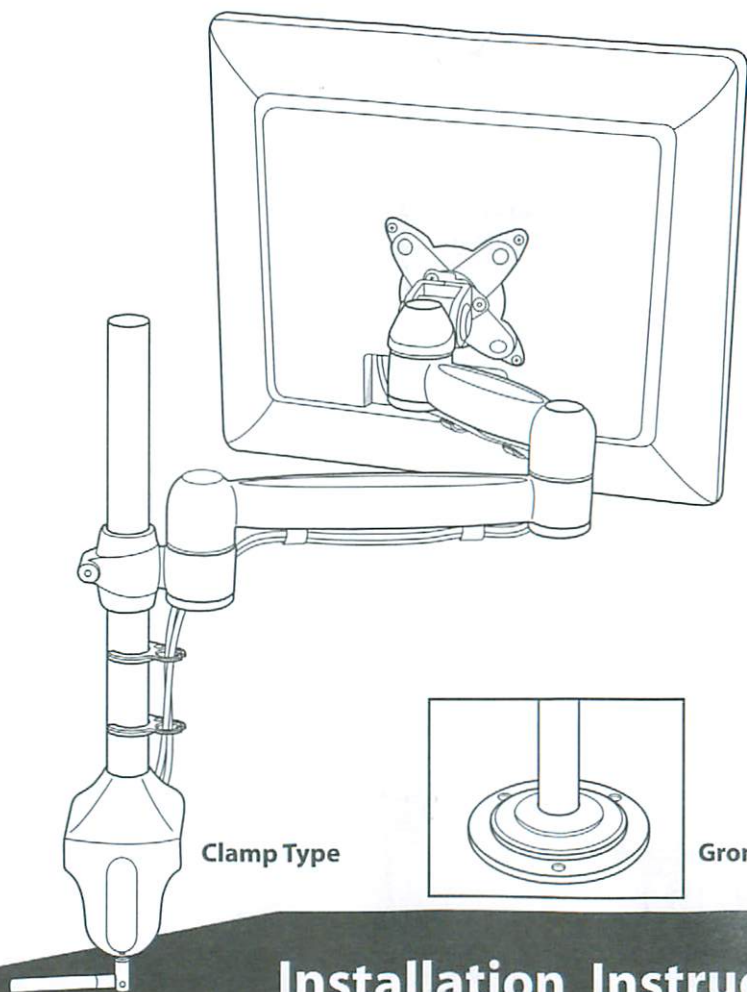


# SAM-250

## LCD Monitor Arm

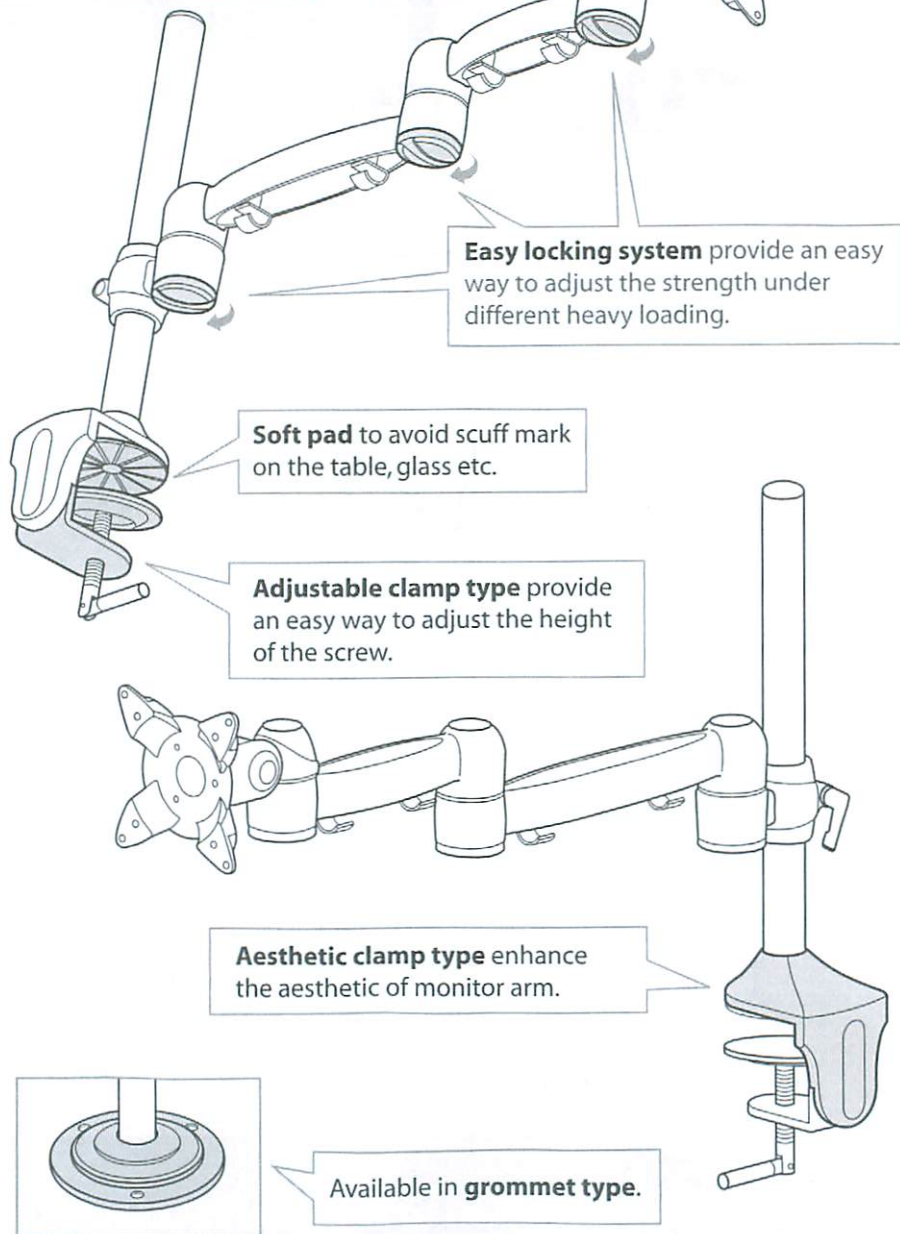


Clamp Type

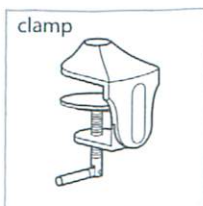
Grommet Type

**Installation Instructions**

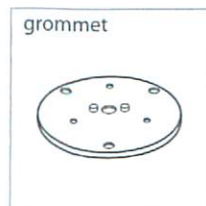
# SAM-250 LCD monitor arm



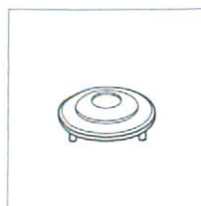
# Part List



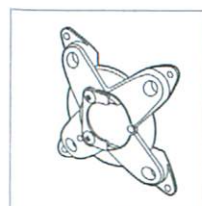
A 1 pcs



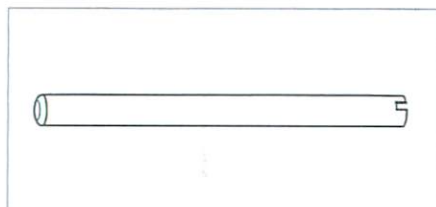
B 1 pcs



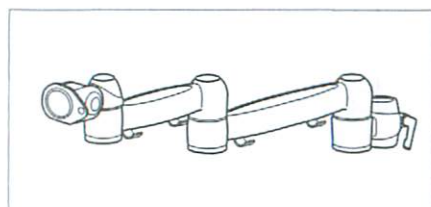
C 1 pcs



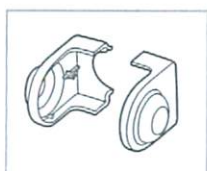
D 1 pcs



E 1 pcs



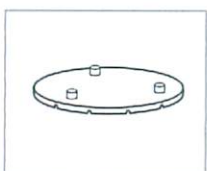
F 1 pcs



G 1 set



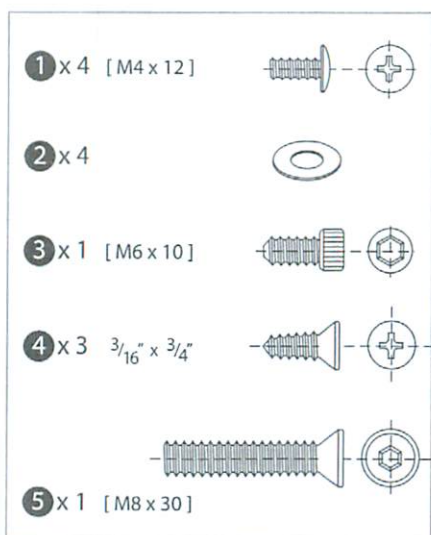
H 2 pcs



I 1 pcs

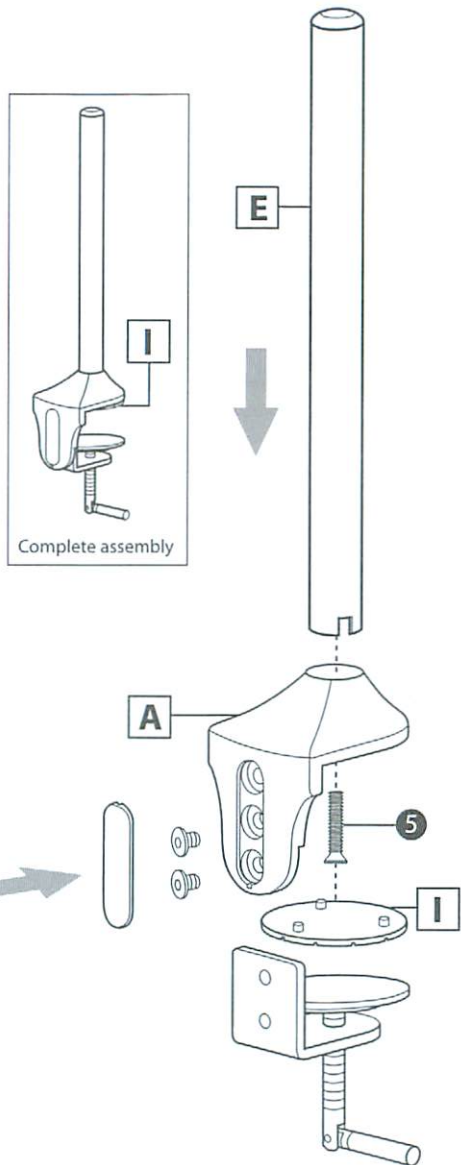


J 1 pcs

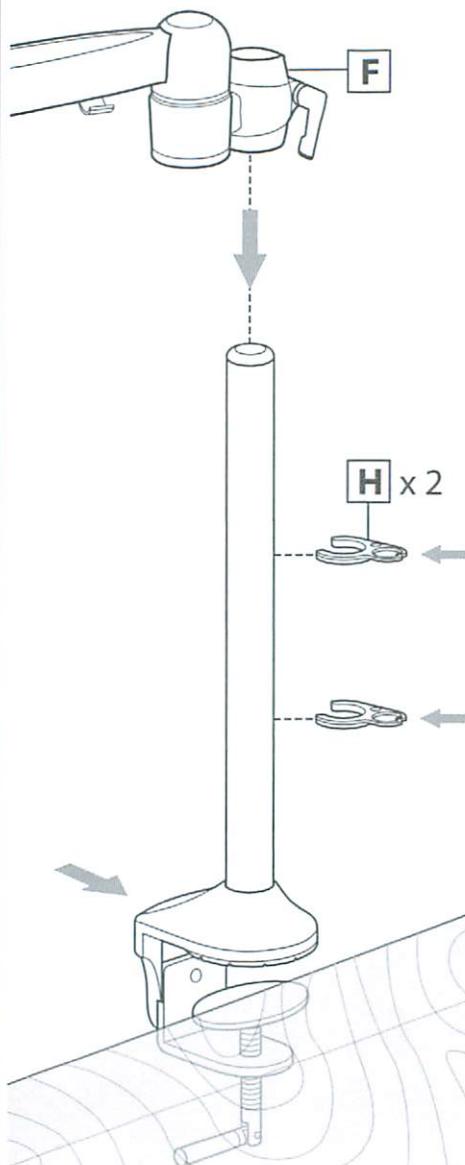


# Installation Instruction

Clamp type ▼

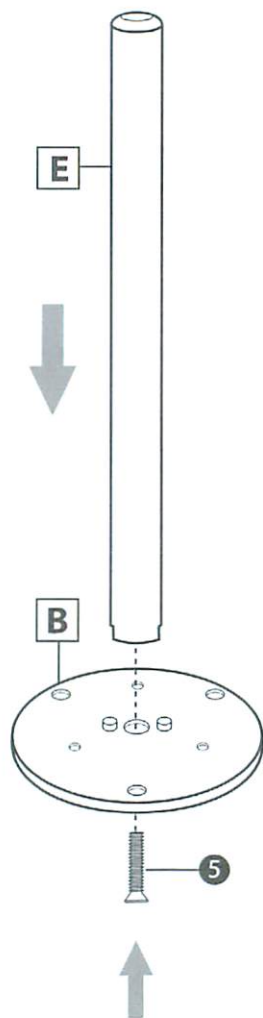


**STEP 1 - A**

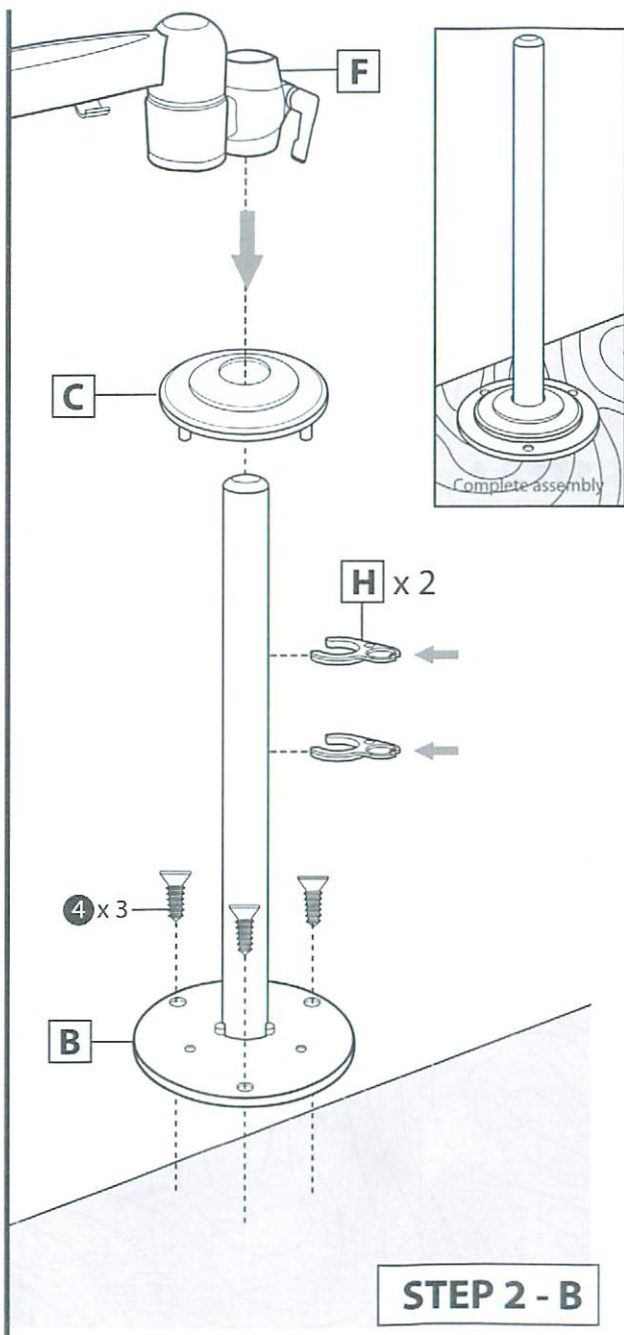


**STEP 1 - B**

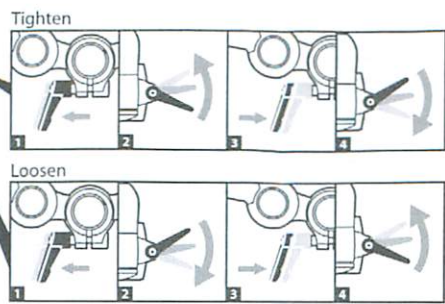
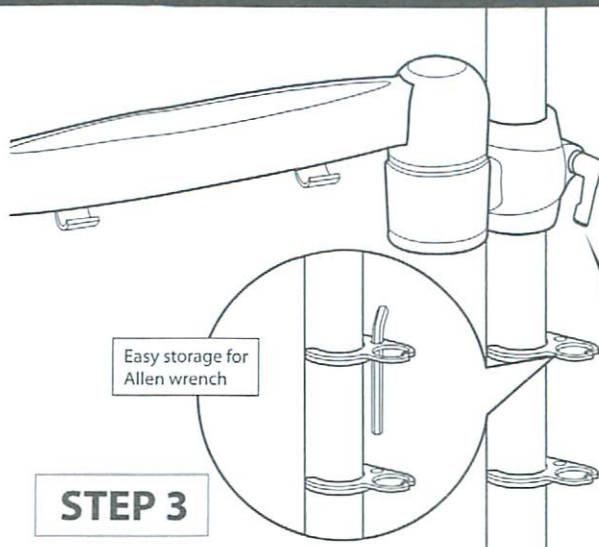
## Grommet type ▼



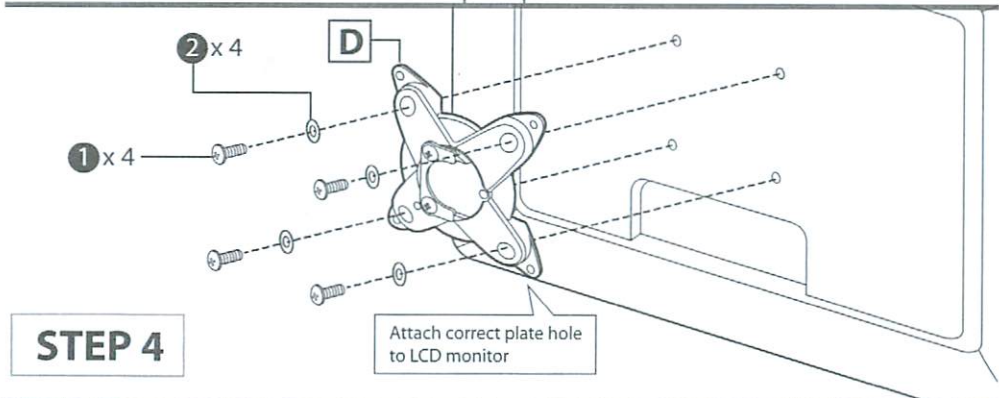
**STEP 2- A**



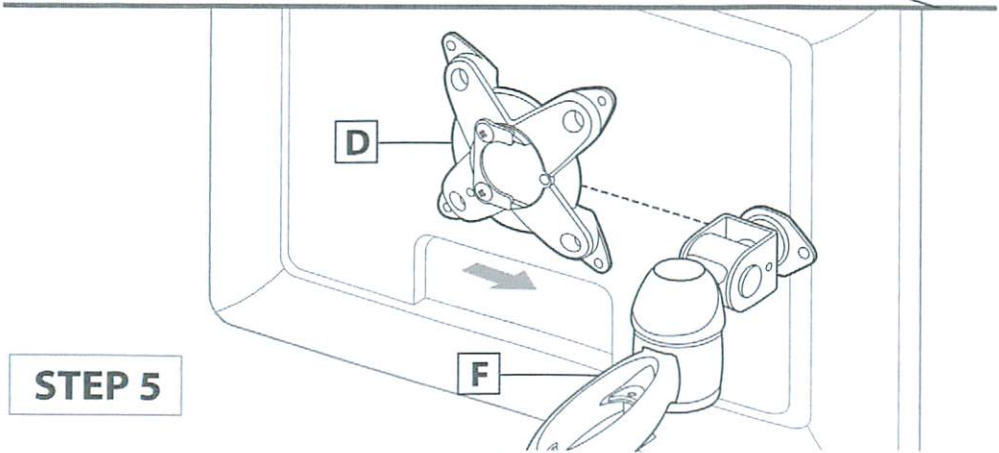
**STEP 2 - B**



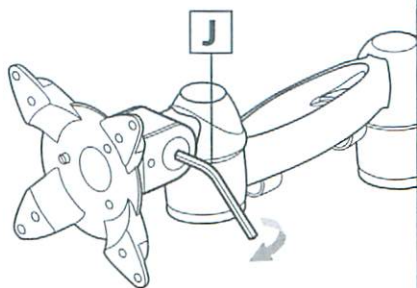
**STEP 3**



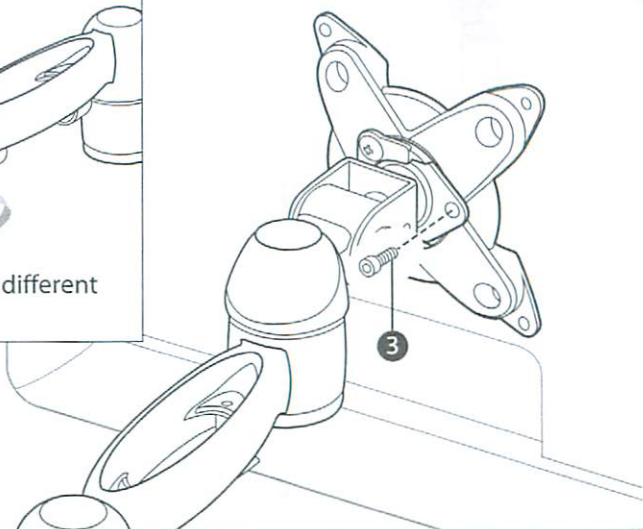
**STEP 4**



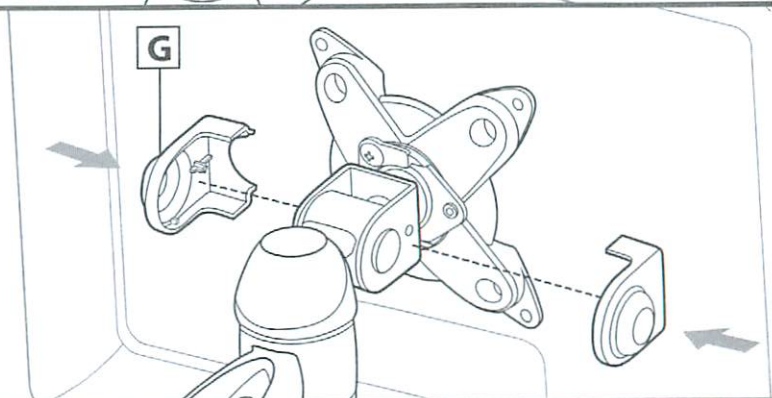
**STEP 5**



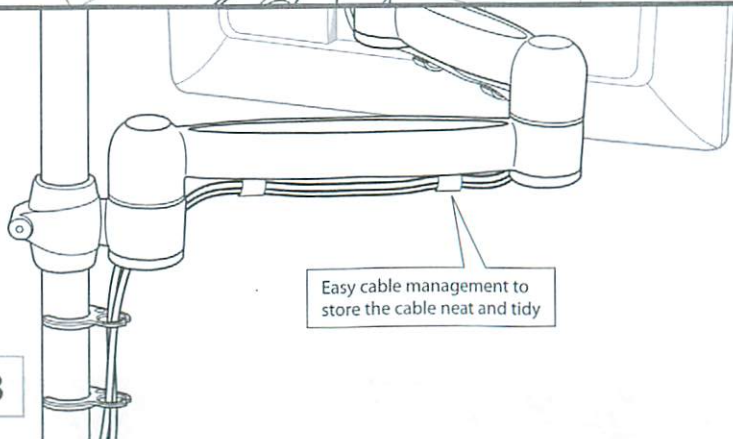
Adjust the strength under different heavy loading.



**STEP 6**

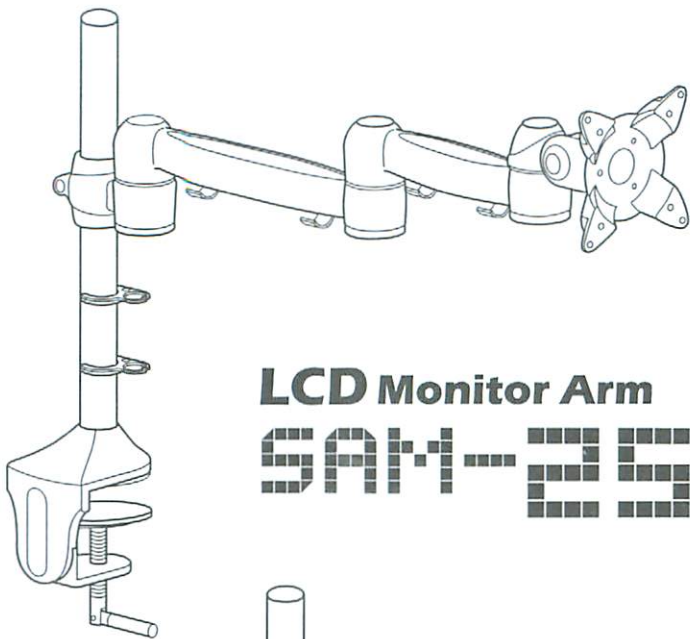


**STEP 7**



**STEP 8**

Easy cable management to store the cable neat and tidy



## LCD Monitor Arm

# SAM-250

