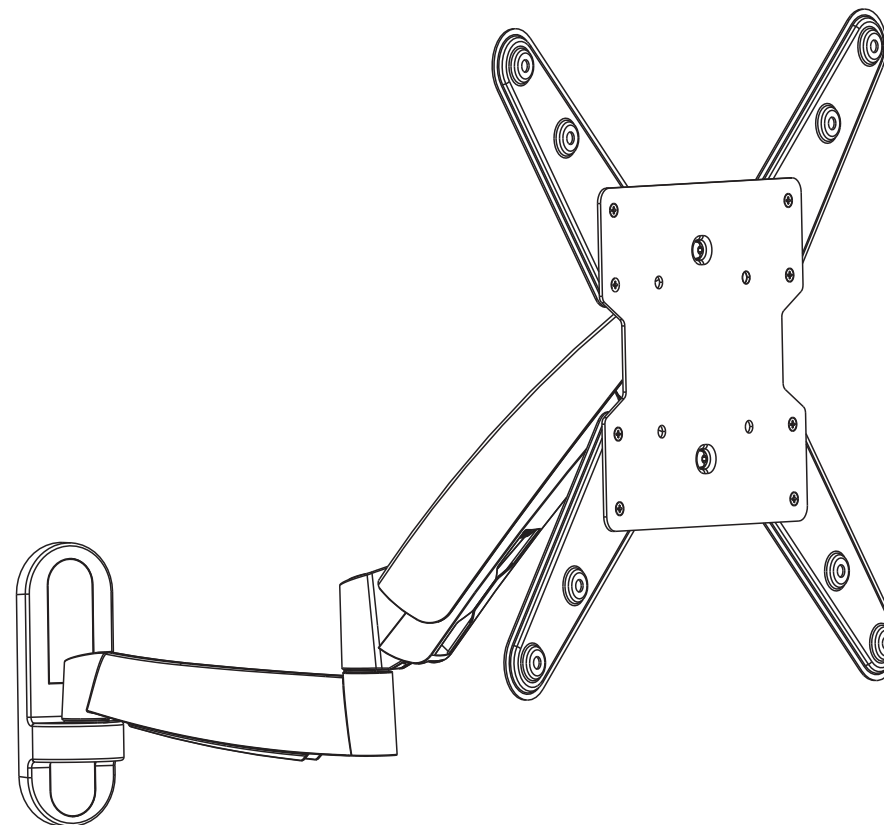


# Counterbalance Full Motion LCD Wall Mount

### Maintenance

- Check that the bracket is secure and safe to use at regular intervals(at least every three months).
- Please contact your dealer if you have any questions.



**CAUTION: DO NOT EXCEED MAXIMUM LISTED WEIGHT CAPACITY. SERIOUS INJURY OR PROPERTY DAMAGE MAY OCCUR!**

**LDA08-442**



100x100/200x100  
200x200/400x200  
300x300/400x400



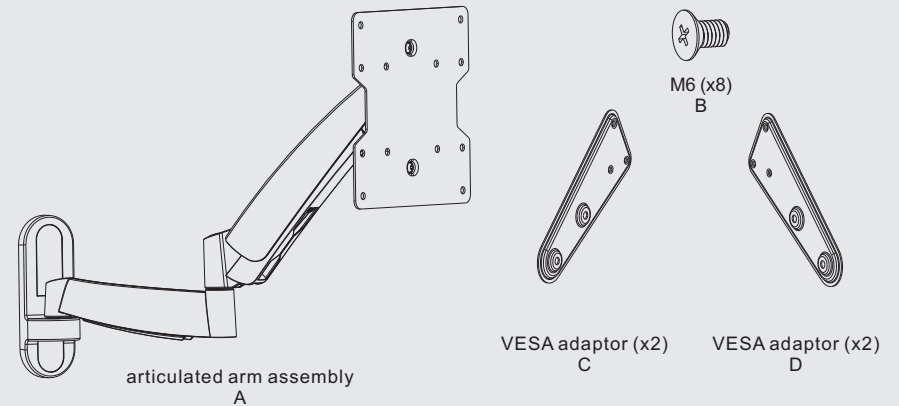
**NOTE:** Read the entire instruction manual before you start installation and assembly.

## ⚠ WARNING

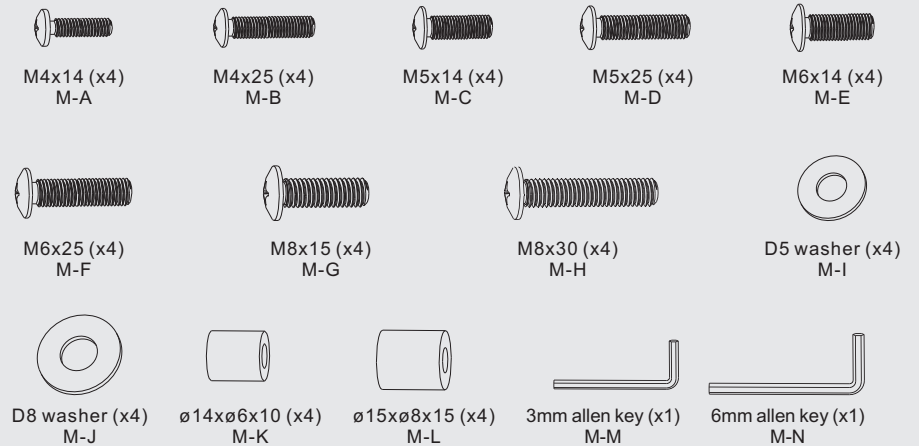
- Do not begin the installation until you have read and understood the instructions and warnings contained in this installation sheet. If you have any questions regarding any of the instruction or warning, please contact your local distributor.
- This mounting bracket was designed to be installed and utilized **ONLY** as specified in this manual. Improper installation of this product may cause damage or serious injury.
- This product should only be installed by someone of good mechanical ability, with basic building experiences and fully understanding of this manual.
- Make sure that the supporting surface will safely support the combined load of the equipment and all attached hardware and components.
- If mounting to wood wall studs, make sure that mounting screws are anchored into the center of the studs. Use of a stud finder is highly recommended.
- Always use an assistant or mechanical lifting equipment to safely lift and position equipment.
- Tighten screws firmly, but do not over tighten. Over tightening can damage the items, greatly reducing their holding power.
- This product intended for indoor use only. Using this product outdoors could lead to product failure and personal injury.

## Component Checklist

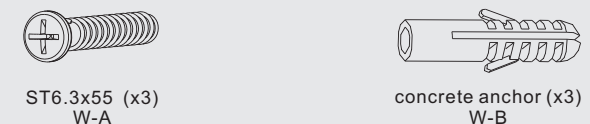
**IMPORTANT:** Ensure that you have received all parts according to the component checklist prior to installing. If any parts are missing or faulty, telephone your local distributor for a replacement.



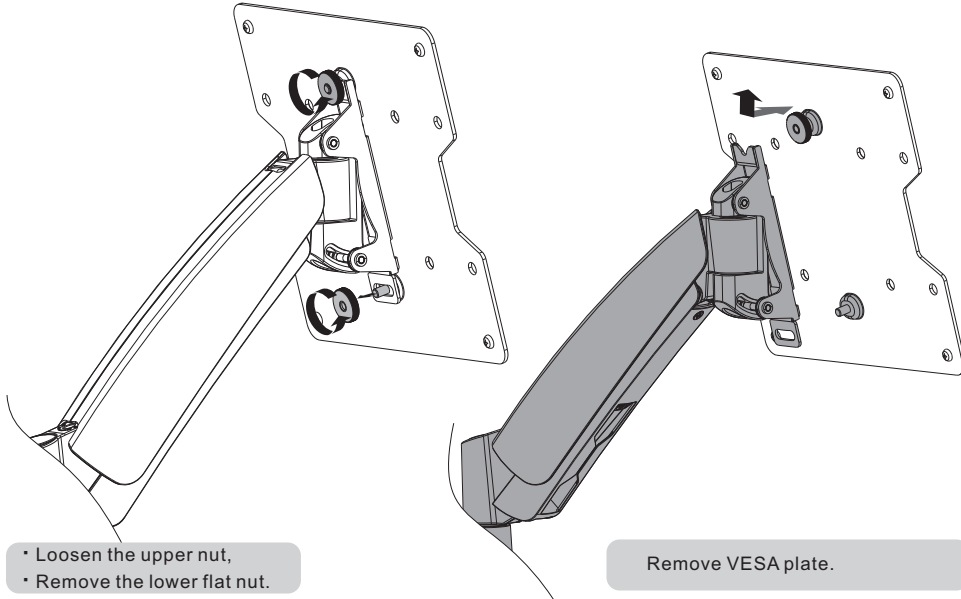
### Package M



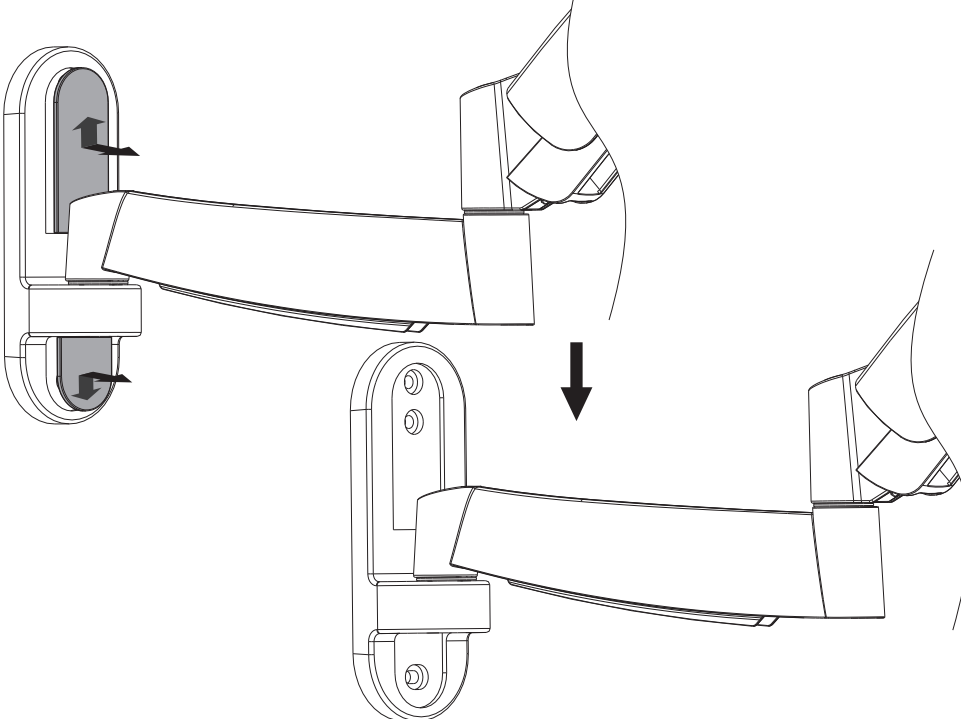
### Package W



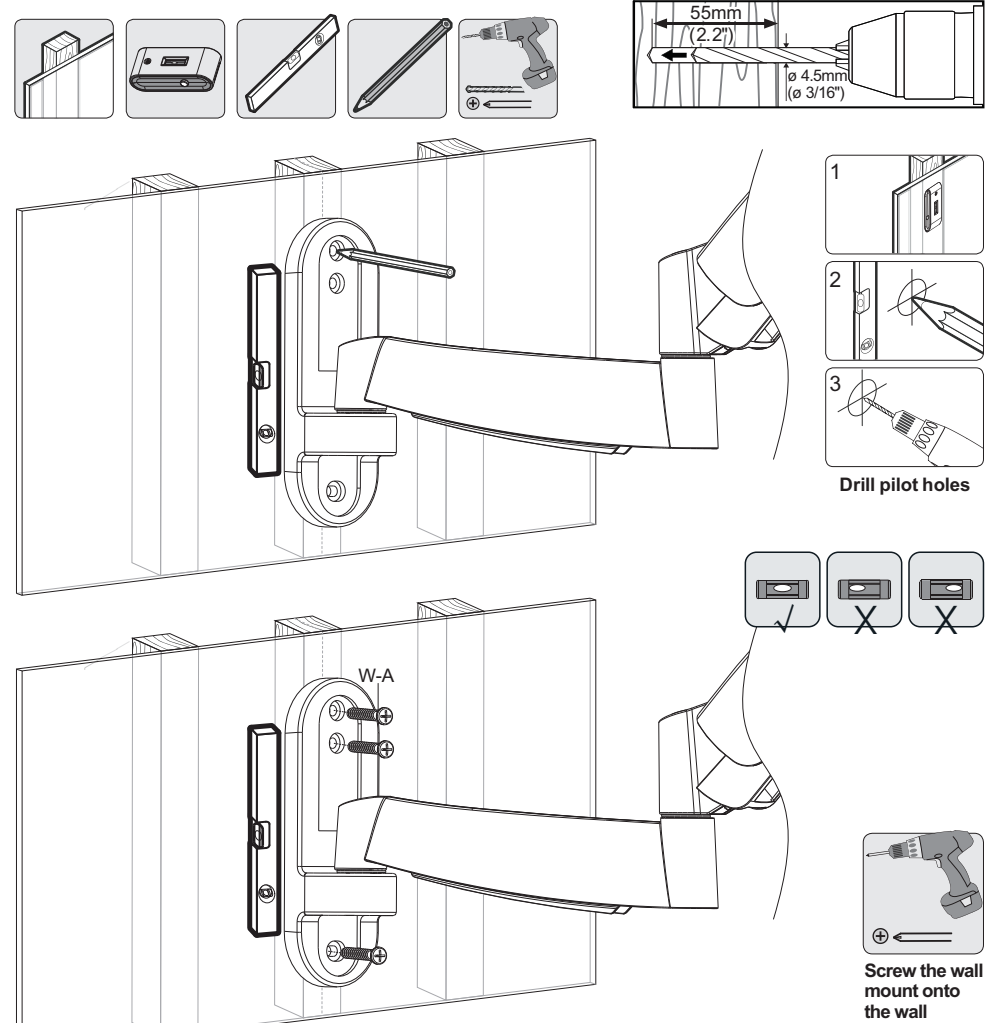
## 1. Disassemble VESA Plate from Wall Mount



## 2. Remove the Decorative Covers



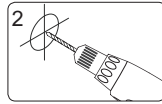
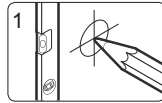
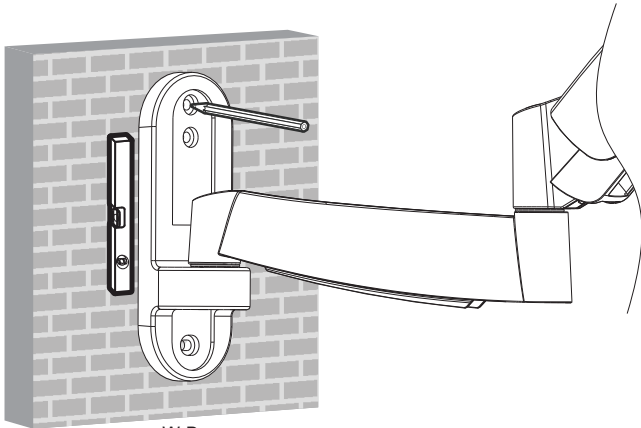
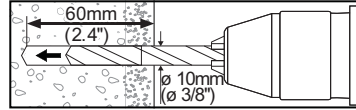
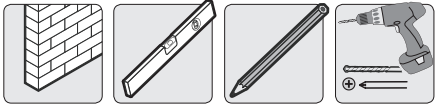
## 3a. Mount on Wood Stud Wall



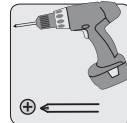
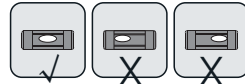
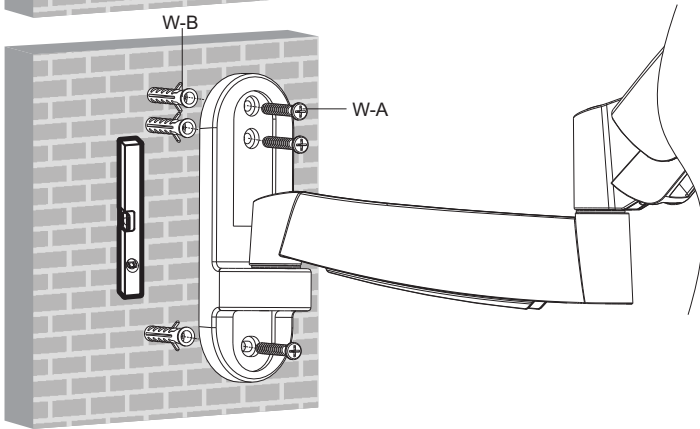
## ⚠ WARNING

- Make sure that mounting screws are anchored into the center of the studs. Use of a stud finder is highly recommended.
- Installers are responsible to provide hardware for other types of mounting situations.
- Installer must verify that the supporting surface will safely support the combined load of the equipment and all attached hardware and components.

### 3b. Mount on Solid Brick and Concrete Block



Drill pilot holes

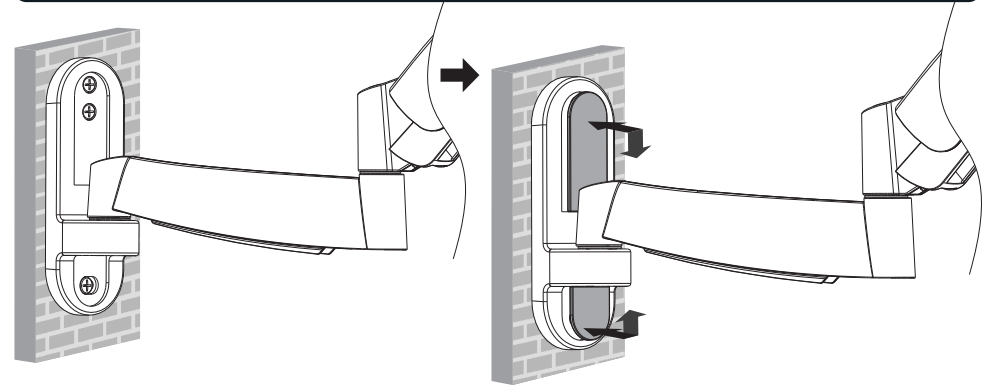


Screw the wall mount onto the wall

### ⚠ WARNING

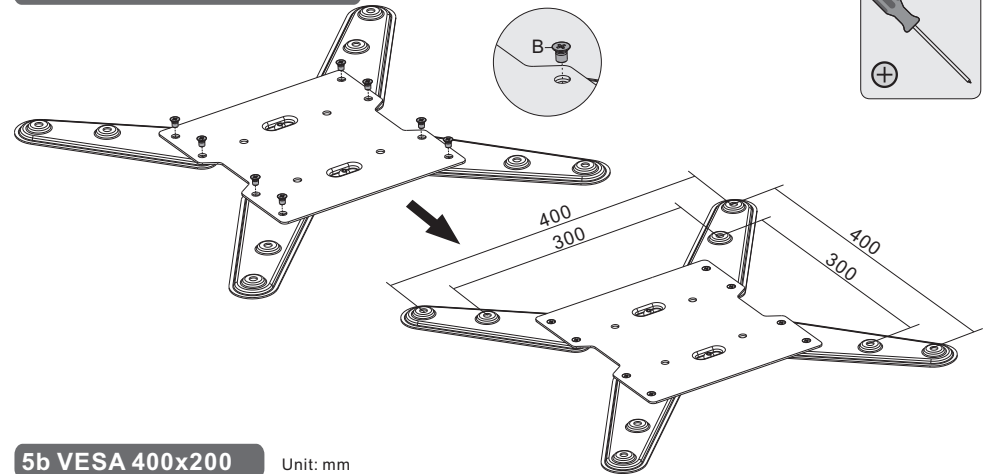
- When installing wall mounts on cinder block, verify the actual concrete thickness is at least 1-3/8" (35mm) for using the concrete anchors. Do not drill into mortar joints! Be sure to mount in a solid part of the block, generally 1" (25mm) minimum from the side of the block. It is suggested electric drill on slow setting is used to drill the hole instead of a hammer drill to avoid breaking out the back of the hole when entering a void or cavity.
- Installer must verify that the supporting surface will safely support the combined load of the equipment and all attached hardware and components.

### 4. Install Decorative Covers

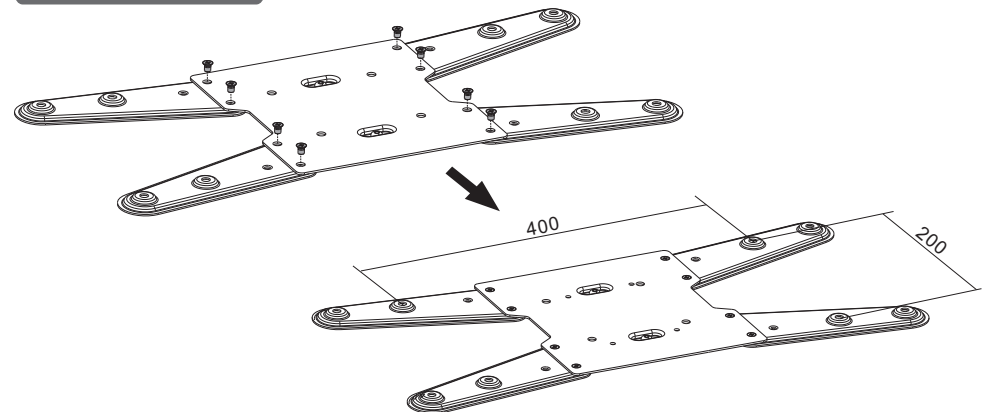


### 5. Assemble VESA Adaptors

#### 5a VESA 300x300, 400x400 Unit: mm

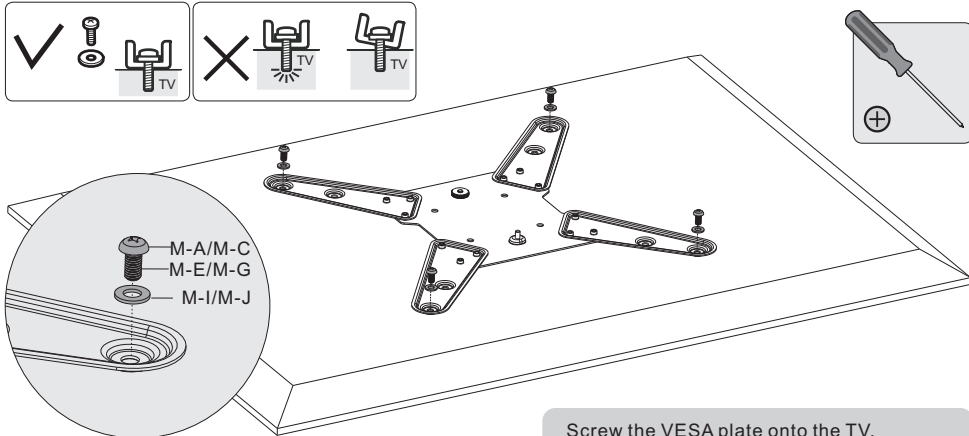


#### 5b VESA 400x200 Unit: mm

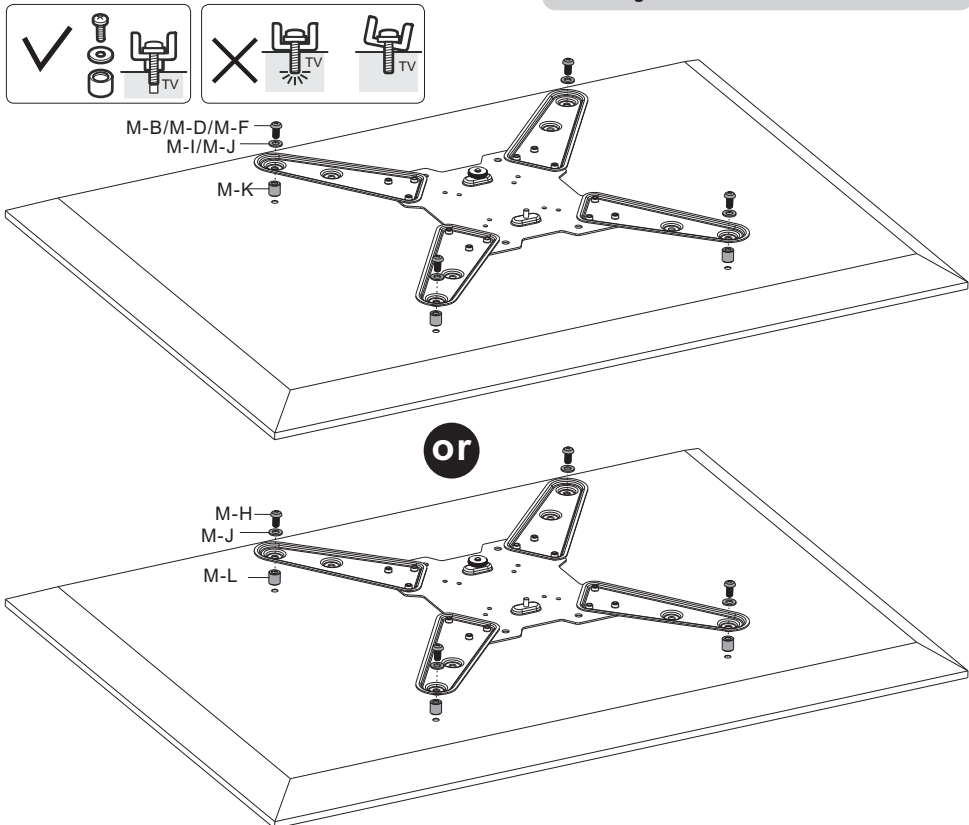


## 6. Install VESA Plate

### 6-1 For Flat Back Screen

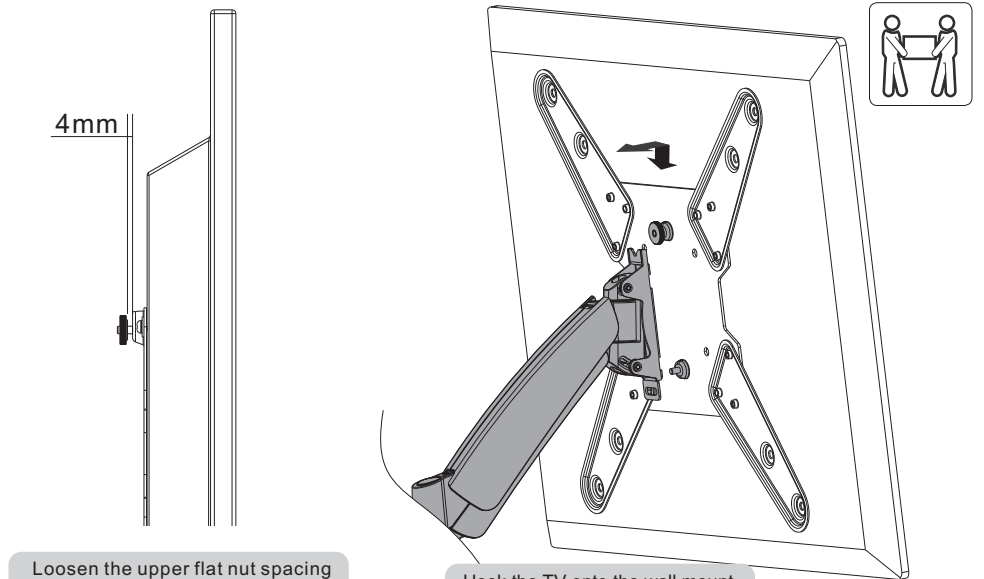


### 6-2 For Recessed Back Screen



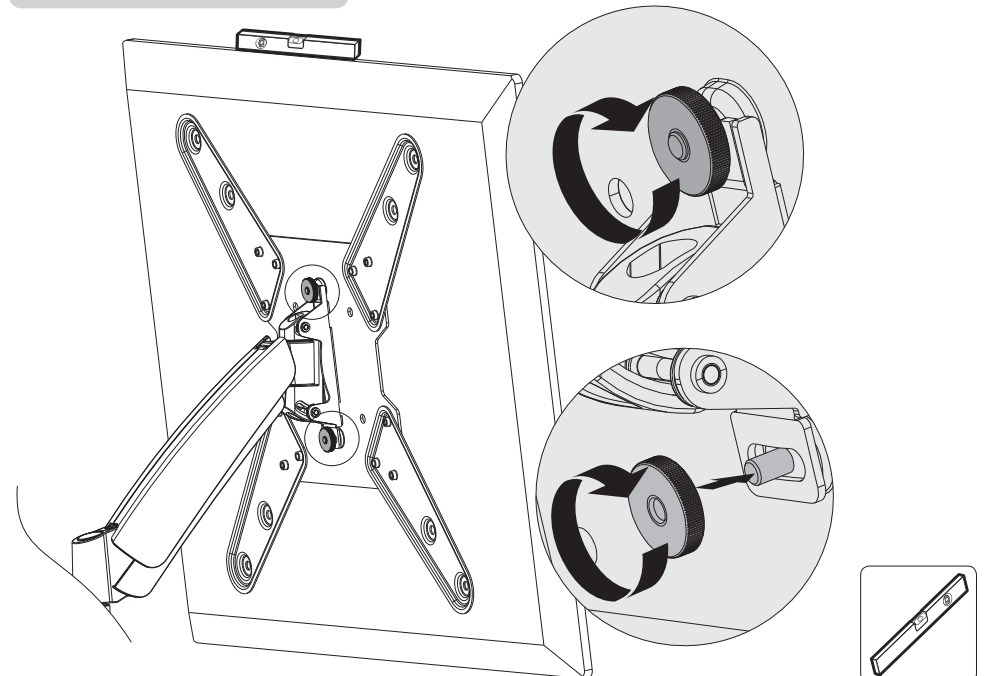
Screw the VESA plate onto the TV.  
**⚠ Tighten all screws but do not over tighten.**

## 7. Hook the TV onto the Wall Mount



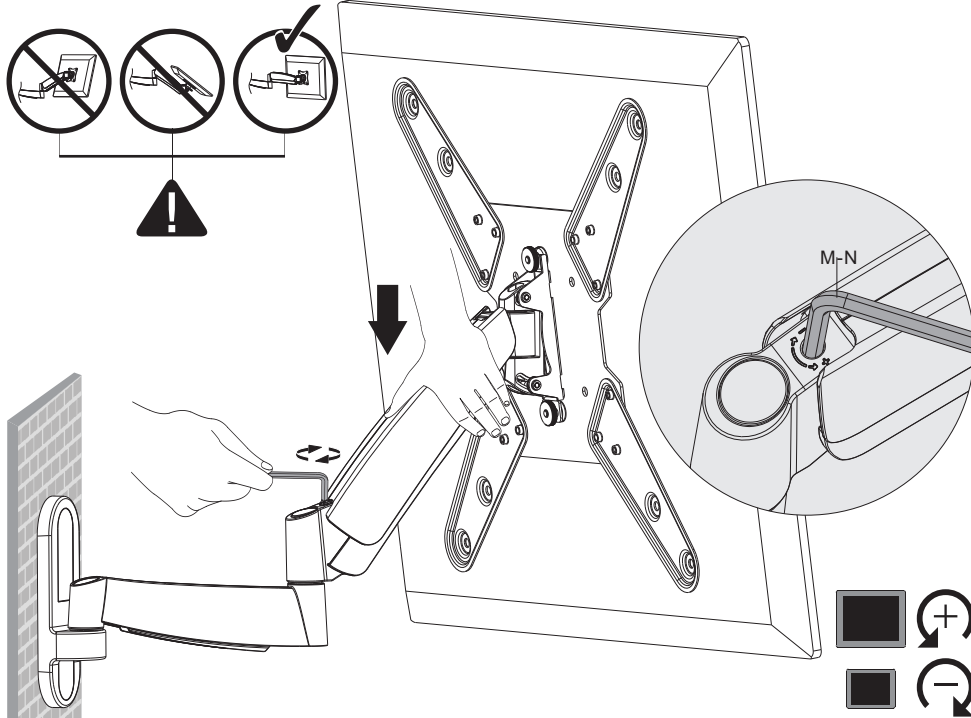
Loosen the upper flat nut spacing 4mm to VESA plate.

Hook the TV onto the wall mount



- Level the TV.
- Place the lower flat nut and tighten both nuts.

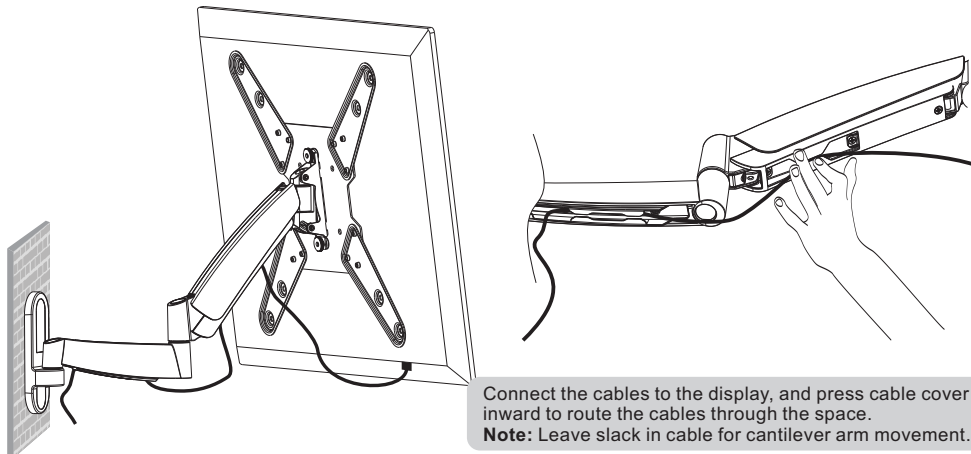
## 8. Tension Adjust



Please keep the arm level during tension adjustment. Use a proper Allen key, slightly loosen or tighten the adjustment screw according to the display weight.

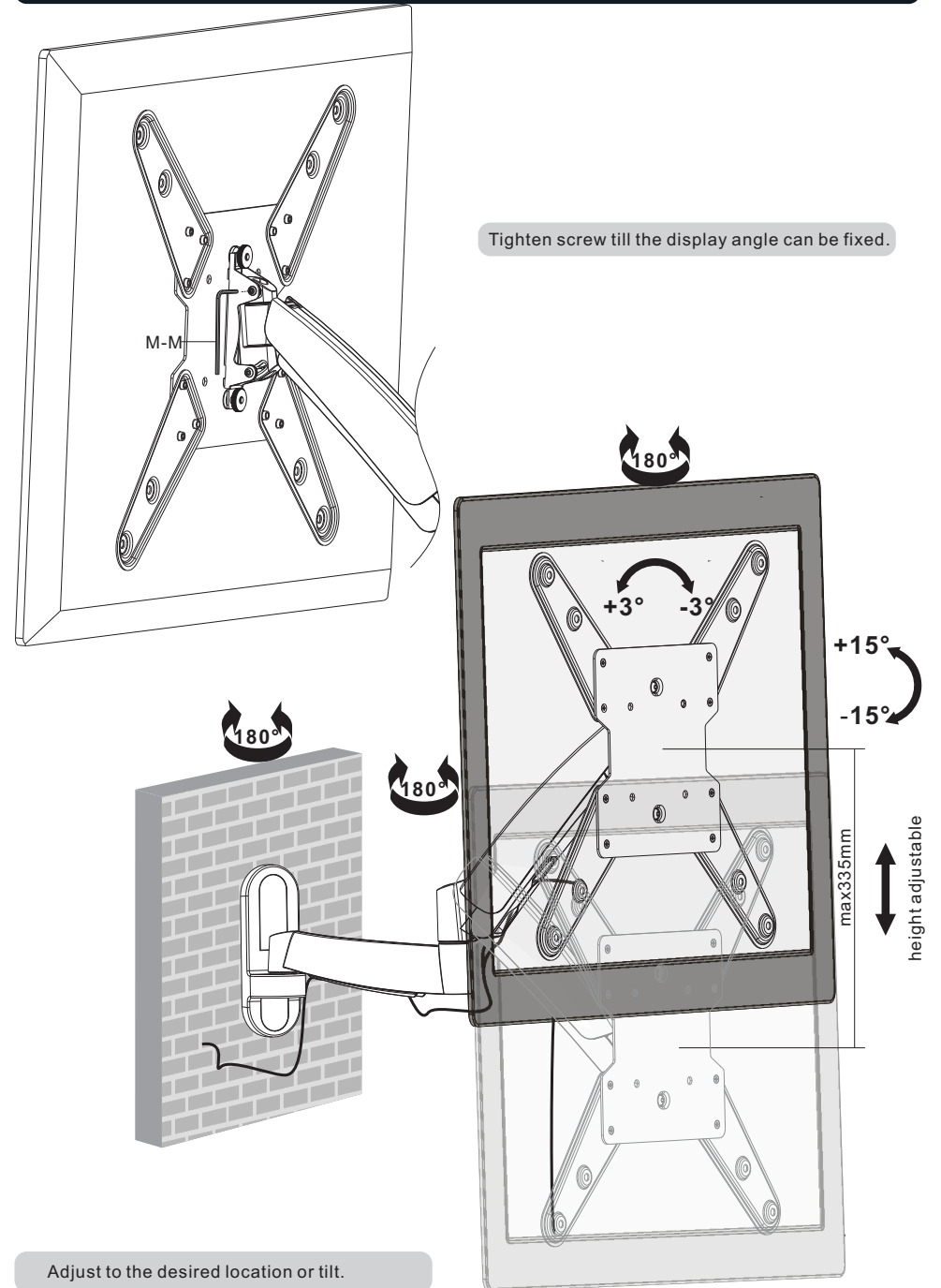
If display settles on its own, then rotate adjustment screw towards the "+" symbol.  
If display rises on its own, then rotate adjustment screw towards the "-" symbol.

## 9. Cable Management



Connect the cables to the display, and press cable cover inward to route the cables through the space.  
**Note:** Leave slack in cable for cantilever arm movement.

## 10. Adjustment



Tighten screw till the display angle can be fixed.

Adjust to the desired location or tilt.