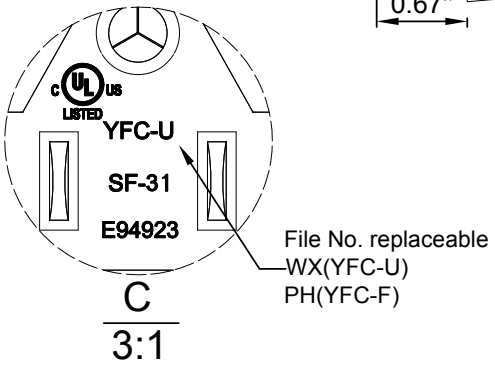
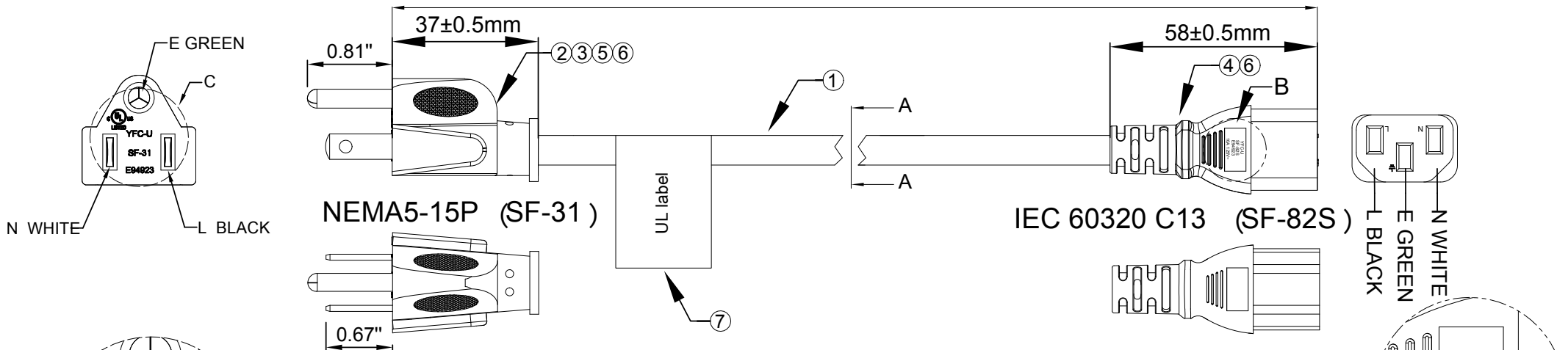
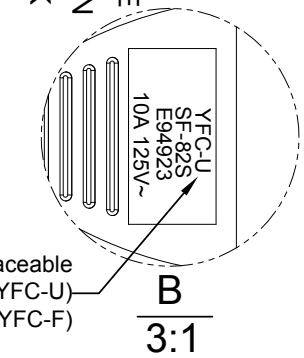


VERSION INFORMATION (Vender)			
Rev.	Rev. Date	Modified By	Brief Description
V1	2021.08.09	XYH	Initial Issue
V2	2023.03.09	LQF	Add PH cable printing

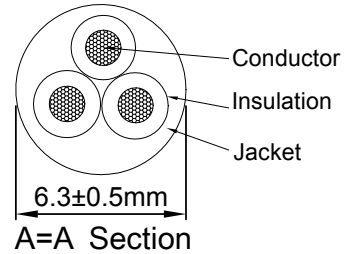


WIRE MARKING WX (NO.701):
 (UL) E135710-F5 SVT 3X18AWG 105°C 300V VW-1
 c(UL) SVT 3X0.824mm2(18AWG) 105°C 300V FT2

WIRE MARKING PH (NO.883):
 (UL) E135710-F7 SVT 3X18AWG 105°C 300V VW-1
 (UL) SVT 3X0.824mm2(18AWG) 105°C 300V FT2



Polarity and Continuity Test	
Dielectric Voltage Withstand Test :1500V /1 Sec	
Electrical Performance (20°C)	
Item	Parameter
Conductor resistance	≤ 22.84Ω/1000m
Voltage Rating	AC 300V



PID	Color	Length (FT)
5277	Black	1±0.5
5278	Black	3±0.1
5279	Black	6±0.1
5280	Black	10±0.15
5281	Black	15±0.15

Pinout		
NEMA5-15P SF-31	Wire	IEC 60320 C13 (SF-82S)
E	GREEN	E
N	WHITE	N
L	BLACK	L

NO.	PART NAME	SPECIFICATION DESCRIPTION	QTY	UNIT
⑦	UL label	General Use Cord set	1	PC
⑥	Molding	PVC 40P	AR	G
⑤	Housing	Bracket 5-15P Three Plug Black PBT UL94-V0	1	PC
④	Terminal	C13Terminal Brass Natural color and Bracket, With 18-14AWG. White	1	PC
③	Terminal	5-15P Non-Polar, Current Carrying End, With Riveting 18-16AWG Nickel Plating	2	PCS
②	Terminal	5-15P Terminal Nickel Plated 18-16AWG	1	PC
①	Cable	SVT 18AWGx3C 105°C Black	1	PC

VENDOR CODE : V16988		DESCRIPTION : Monoprice Power Cord - NEMA 5-15P to IEC 60320 C13, 18AWG, 10A/1250W, 125V, 3-Prong, Black	
APPROVED BY PM & DATE : Jessica Liu		PID # : 5277.5278.5279.5280.5281	
PM PRINT NAME :		DATE : 2023.03.09	UNIT : MM
		SHEET: 1 OF 5	FILE NAME: PID_PRODUCT

Digitally signed by Jessica Liu
DN: cn=Jessica Liu, o=Monoprice, ou=Monoprice, email=jessicalliu@monoprice.com, c=US
Date: 2023.03.15 10:31:37 -0700