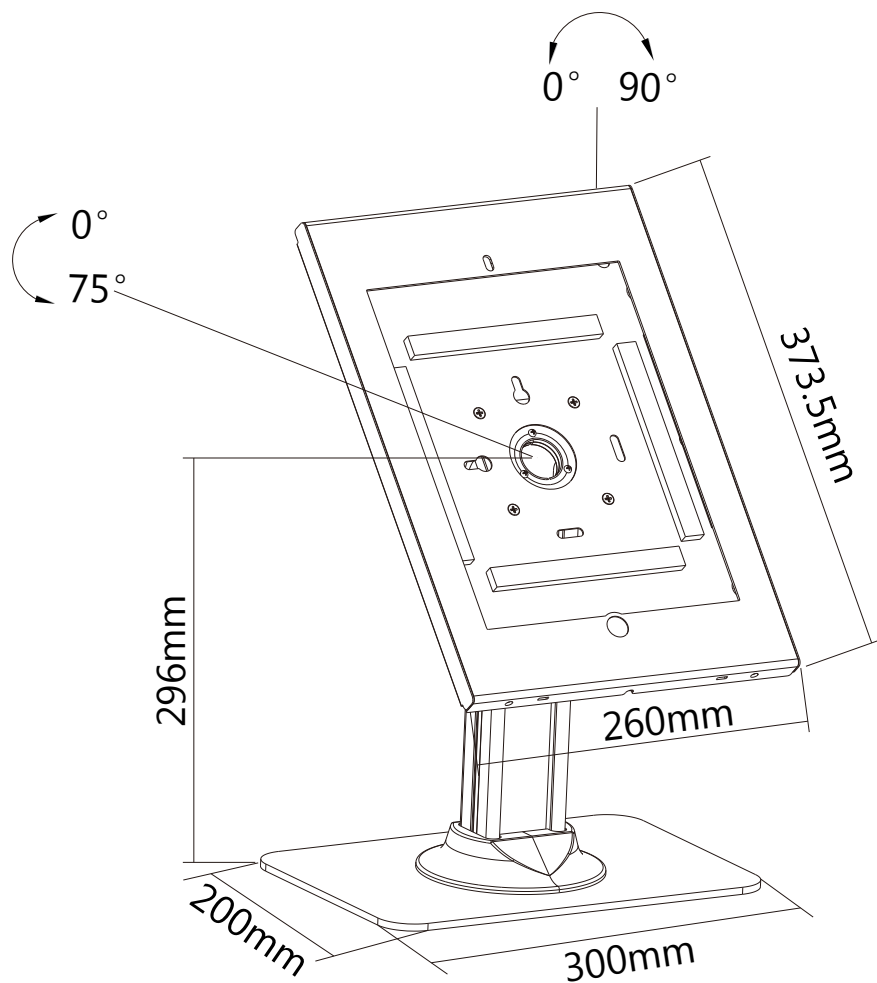


Rev.	Rev. Date	Modified By	Brief Description



	ST6.3x55	2
	concrete anchor	2
	key	2
	M5x6	4
	M8x20	4
	4mm Allen key	1
	5mm Allen key	1
	button	1

• All of materials satisfy the CA65, ROHS...



GENERAL TOLERANCE		APPROVED BY & DATE :	DESCRIPTION :				
0-6	±0.05	CHECKED BY & DATE :	Anti-theft Steel Countertop Kiosk				
6-18	±0.07		ITEM NO. : 16067				
18-50	±0.10	DESIGNED BY & DATE :	DATE :	REV :	UNIT :	SHEET :	SCALE :
50-120	±0.15		2017/01/10	A01	MM	1 OF 2	1 : 1

NO.	PART NAME	SPECIFICATION DESCRIPTION	QTY	UNIT
③				
②				
①	16067	Anti-theft Steel Countertop Kiosk		