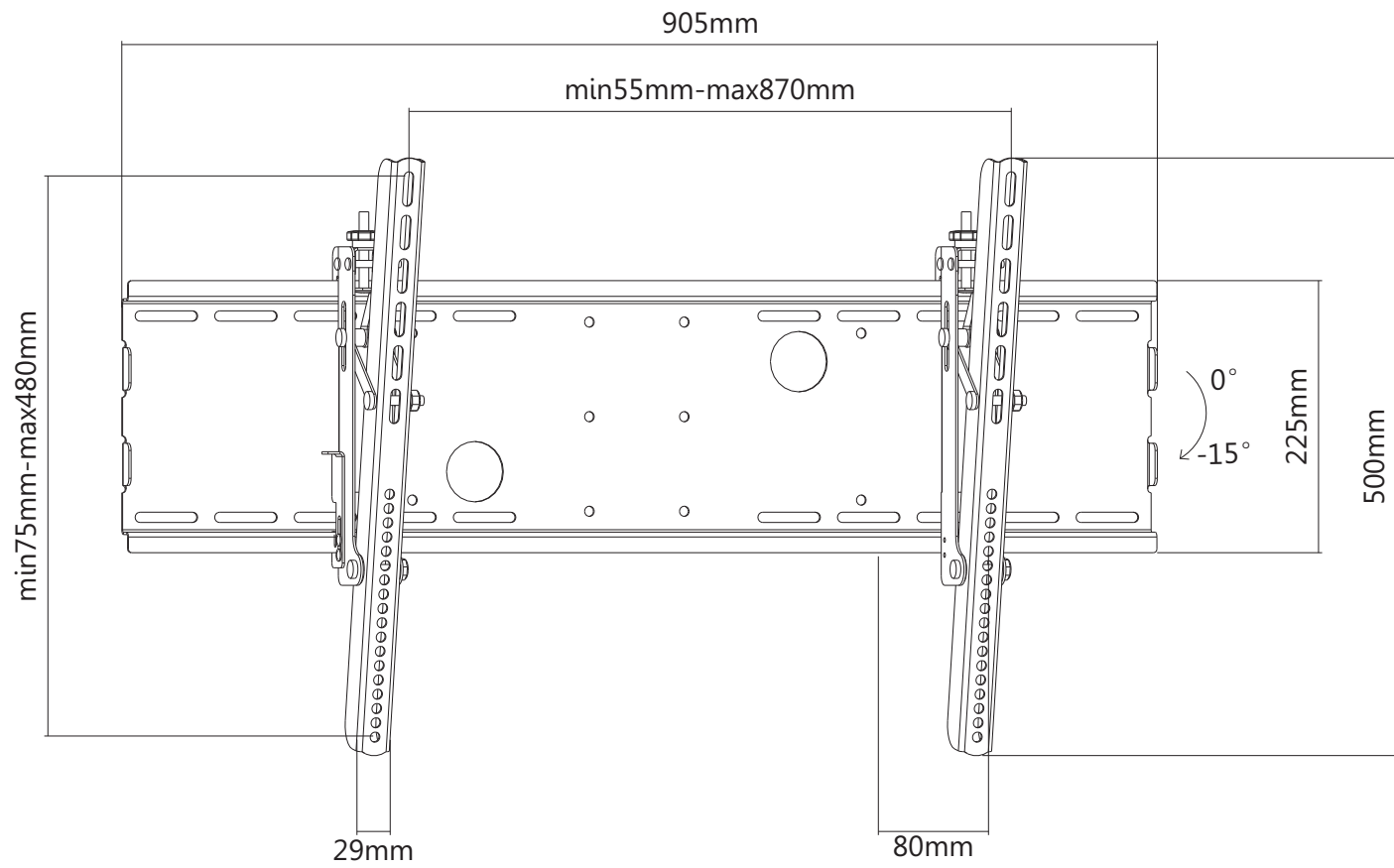


REVISION INFORMATION			
Rev.	Rev. Date	Modified By	Brief Description



	M5x14 (x4)
	M6x14 (x4)
	M6x30 (x4)
	M8x30 (x4)
	M8x50 (x4)
	(x4)
	(x8)
	(x8)
	(x6)
	(x6)
	(x6)

• All of materials satisfy the CA65, ROHS...
 • UL certification required.



NO.	PART NAME	SPECIFICATION DESCRIPTION	QTY	UNIT
③				
②				
①	3004	Tilt Wall Mount Bracket for LCD LED Plasma (Max 165 lbs, 37 - 70 inch), Wide, UL Certified		

GENERAL TOLERANCE		APPROVED BY & DATE :	DESCRIPTION :			
0-6	±0.05	CHECKED BY & DATE :	Tilt Wall Mount Bracket for LCD LED Plasma (Max 165 lbs, 37 - 70 inch), Wide, UL Certified			
6-18	±0.07		ITEM NO. : 3004			
18-50	±0.10	DESIGNED BY & DATE :	DATE :	REV :	UNIT :	SHEET :
50-120	±0.15		2017/01/10	A01	MM	1 OF 2
			SCALE :			
			1 : 1			

