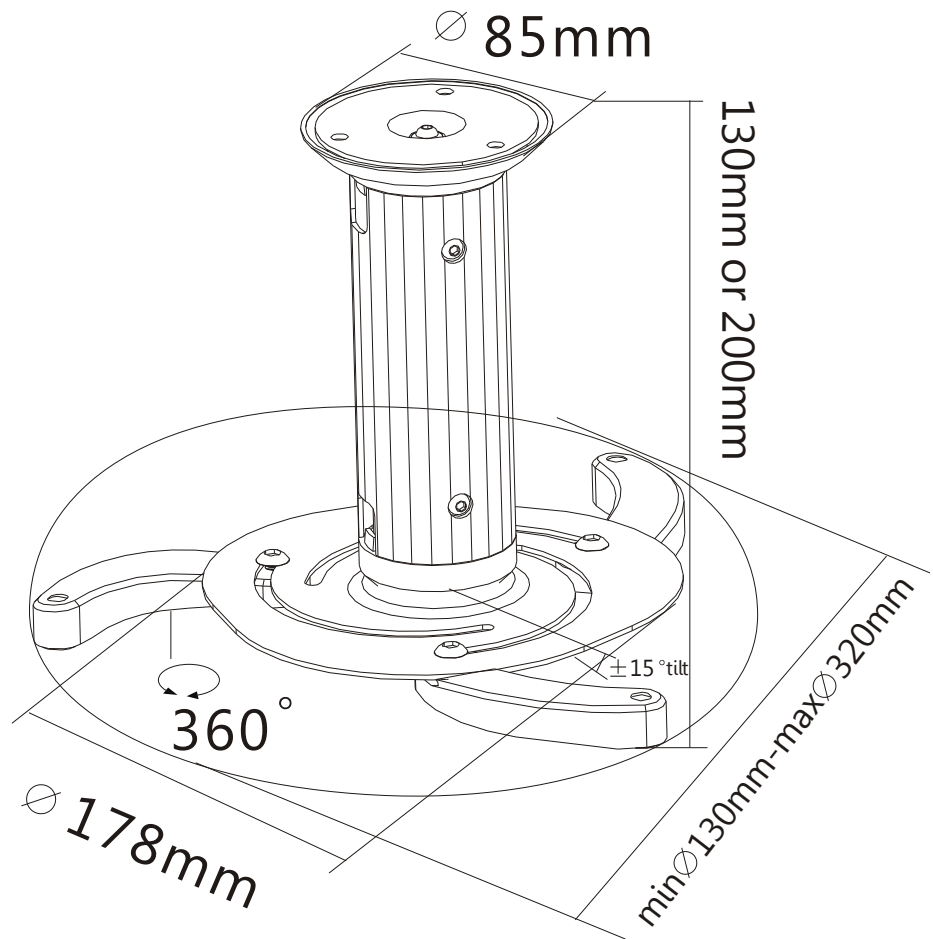


REVISION INFORMATION			
Rev.	Rev. Date	Modified By	Brief Description



	M4x14 (x4)
	M5x20 (x4)
	M6x12 (x4)
	x3
	x3
	x3
	x2
	pacer (x6)
	x6
	x3
	x3

\* All of materials satisfy the CA65, ROHS...

GENERAL TOLERANCE		APPROVED BY & DATE :	DESCRIPTION :			
0-6	±0.05	CHECKED BY & DATE :	Ceiling Bracket for Projector (Max 22Lbs) - SILVER			
6-18	±0.07					
18-50	±0.10	DESIGNED BY & DATE :	ITEM NO. : <b>3009</b>			
50-120	±0.15		DATE : 2017/01/10	REV : A01	UNIT : MM	SHEET: 1 OF 2

NO.	PART NAME	SPECIFICATION DESCRIPTION	QTY	UNIT
③				
②				
①	<b>3009</b>	Ceiling Bracket for Projector (Max 22Lbs) - SILVER		