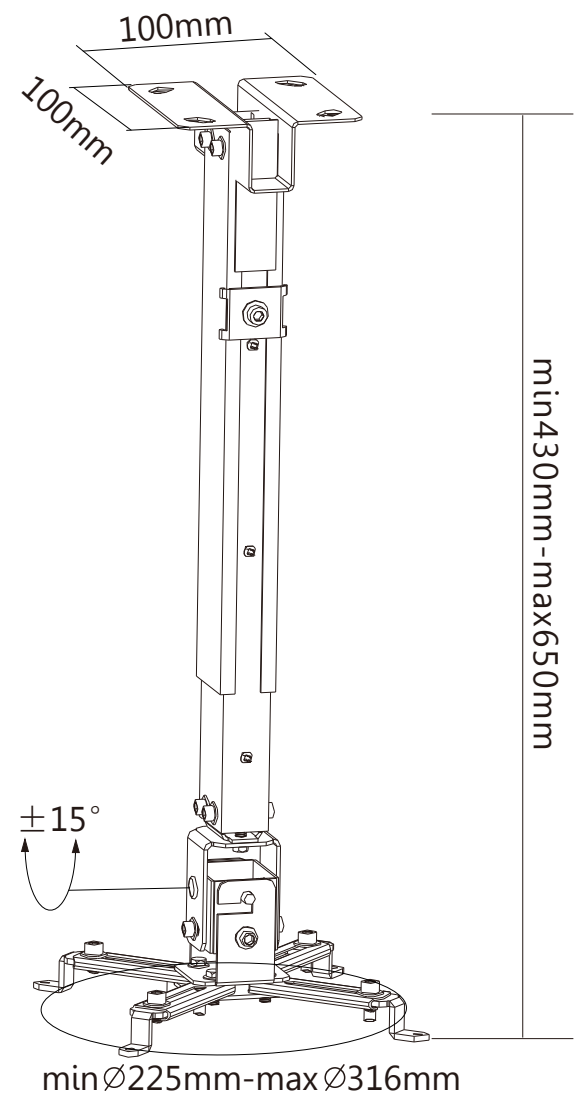


REVISION INFORMATION			
Rev.	Rev. Date	Modified By	Brief Description



	M5x10 (x6)
	M6x10 (x4)
	M5x8 (x4)
	M4x8 (x4)
	M3x8 (x4)
	D3 (x4)
	D4 (x4)
	D5 (x10)
	D5 (x2)
	D6 (x4)
	4mm (x1)
	5mm (x1)
	94mm (x2)
	ST6.3x55 (x4)
	x4
	x4

\* All of materials satisfy the CA65, ROHS...

GENERAL TOLERANCE		APPROVED BY & DATE :	DESCRIPTION :			
0-6	±0.05	CHECKED BY & DATE :	Ceiling Bracket for Projector (Max 44Lbs)			
6-18	±0.07		ITEM NO. : <b>3010</b>			
18-50	±0.10	DESIGNED BY & DATE :	DATE :	REV :	UNIT :	SHEET :
50-120	±0.15		2017/01/10	A01	MM	1 OF 2

NO.	PART NAME	SPECIFICATION DESCRIPTION	QTY	UNIT
③				
②				
①	<b>3010</b>	Ceiling Bracket for Projector (Max 44Lbs)		