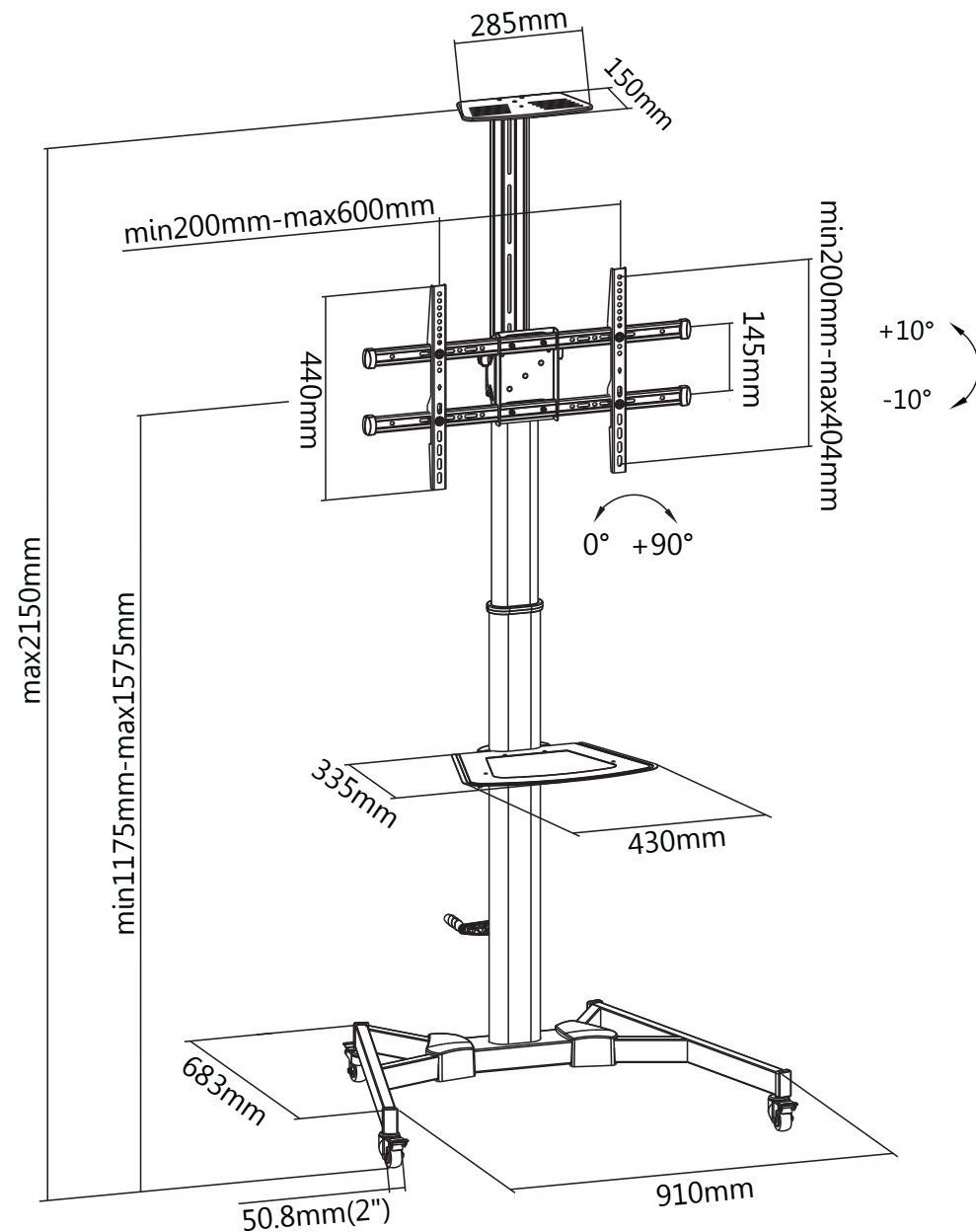


REVISION INFORMATION			
Rev.	Rev. Date	Modified By	Brief Description



	M8x30 (x4)
	M8x40 (x8)
	M6x14 (x8)
	M6x12 (x8)
	M6x10 (x2)
	M8x16 (x4)
	M4x6 (x3)
	M4x6 (x2)
	M5x25 (x1)
	D6 washers (x2)
	wrench (x1)
	5mm Allen key (x1)
	M5x14 (x4)
	M6x14 (x4)
	M6x30 (x4)
	M8x30 (x4)
	M8x50 (x4)
	washers (x4)
	small spacers (x8)
	big spacers (x8)



GENERAL TOLERANCE		APPROVED BY & DATE :	DESCRIPTION :				
0-6	±0.05	CHECKED BY & DATE :	Monoprice Premium Mobile Tilt TV Wall Mount Bracket Stand Cart with Media Shelf Bracket, For TVs 37				
6-18	±0.07		ITEM NO. : <b>30361</b>				
18-50	±0.10	DESIGNED BY & DATE :	DATE :	REV :	UNIT :	SHEET :	SCALE :
50-120	±0.15		2017/01/10	A01	MM	1 OF 2	1 : 1

NO.	PART NAME	SPECIFICATION DESCRIPTION	QTY	UNIT
③				
②				
①	<b>30361</b>	Monoprice Premium Mobile Tilt TV Wall Mount Bracket Stand Cart with Media Shelf Bracket, For TVs 37		