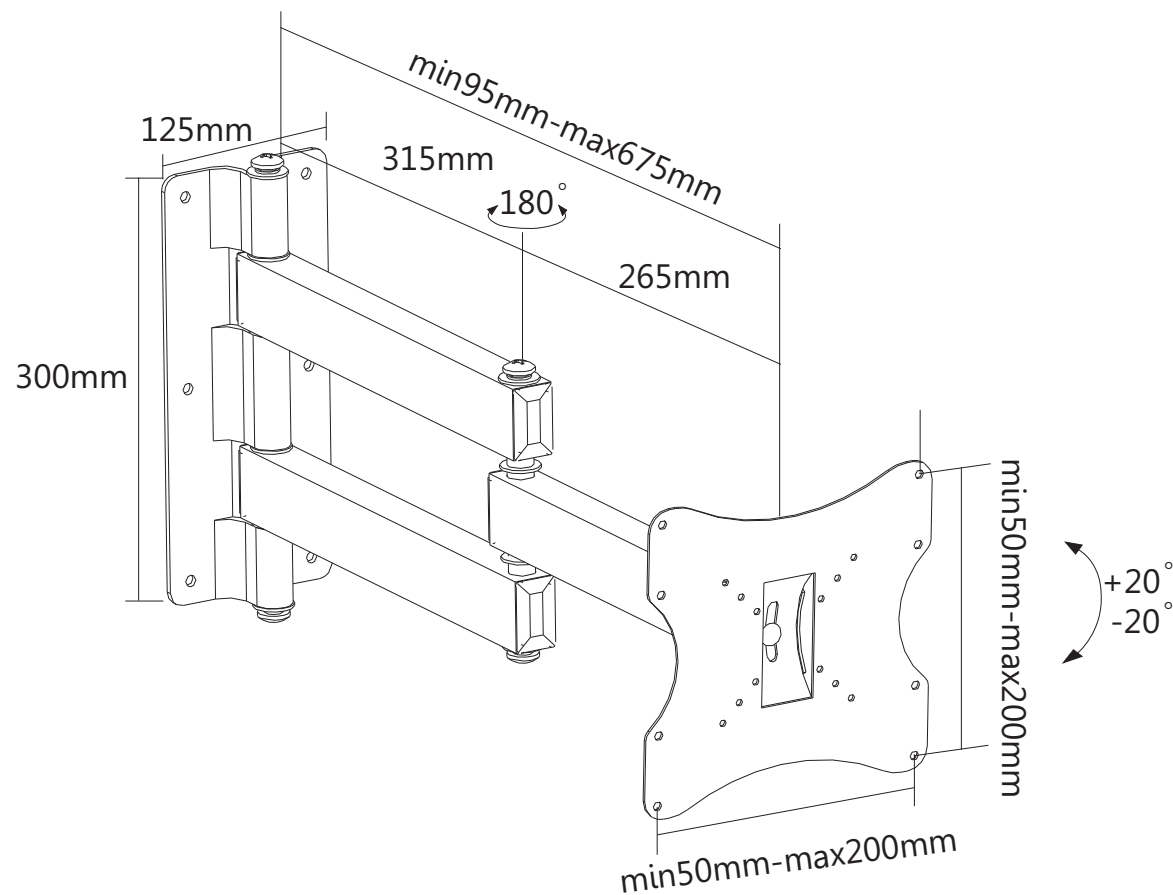



| REVISION INFORMATION |           |             |                   |
|----------------------|-----------|-------------|-------------------|
| Rev.                 | Rev. Date | Modified By | Brief Description |
|                      |           |             |                   |



|  |            |
|--|------------|
|  | M8 (x1)    |
|  | D8 (x2)    |
|  | M8x12 (x1) |
|  | M8x65 (x1) |
|  | (x1)       |
|  | (x1)       |
|  | M4x14 (x4) |
|  | M5x14 (x4) |
|  | M6x14 (x4) |
|  | M8x20 (x4) |
|  | D5 (x4)    |
|  | D8 (x4)    |
|  | (x8)       |
|  | (x6)       |
|  | (x6)       |
|  | (x6)       |

• All of materials satisfy the CA65, ROHS...



|                   |       |                      |   |           |           |                |
|-------------------|-------|----------------------|---|-----------|-----------|----------------|
| GENERAL TOLERANCE |       | APPROVED BY & DATE : | DESCRIPTION :   |           |           |                |
| 0-6               | ±0.05 | CHECKED BY & DATE :  | Full-Motion Wall Mount Bracket for LCD\<br>(Max 66 lbs, 23 - 42 inch) |           |           |                |
| 6-18              | ±0.07 |                      |   |           |           |                |
| 18-50             | ±0.10 | DESIGNED BY & DATE : | ITEM NO. : <b>3411</b>  |           |           |                |
| 50-120            | ±0.15 |                      | DATE : 2017/01/10   | REV : A01 | UNIT : MM | SHEET : 1 OF 2 |

| NO. | PART NAME   | SPECIFICATION DESCRIPTION   | QTY | UNIT |
|-----|-------------|---|-----|------|
| ③   |             |   |     |      |
| ②   |             |   |     |      |
| ①   | <b>3411</b> | Full-Motion Wall Mount Bracket for LCD (Max 66 lbs, 23 - 42 inch) |     |      |