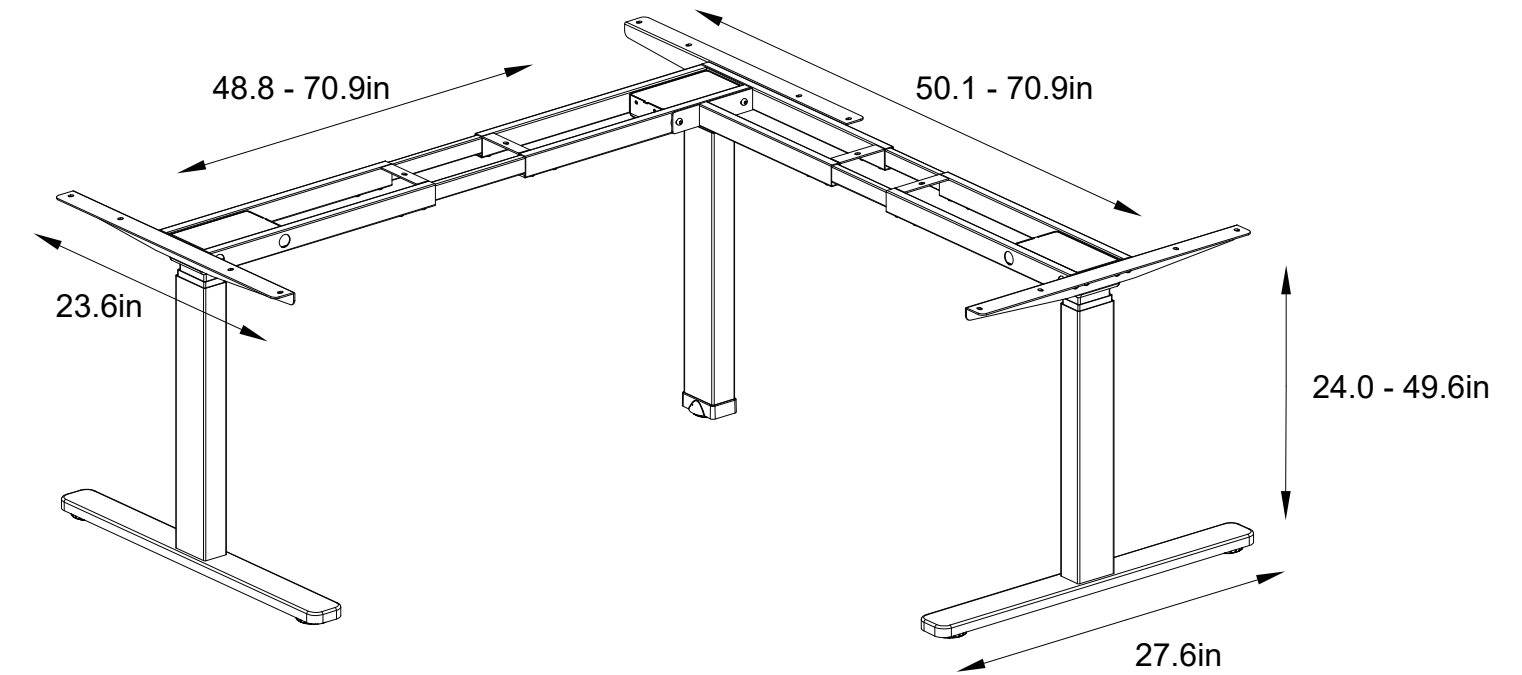
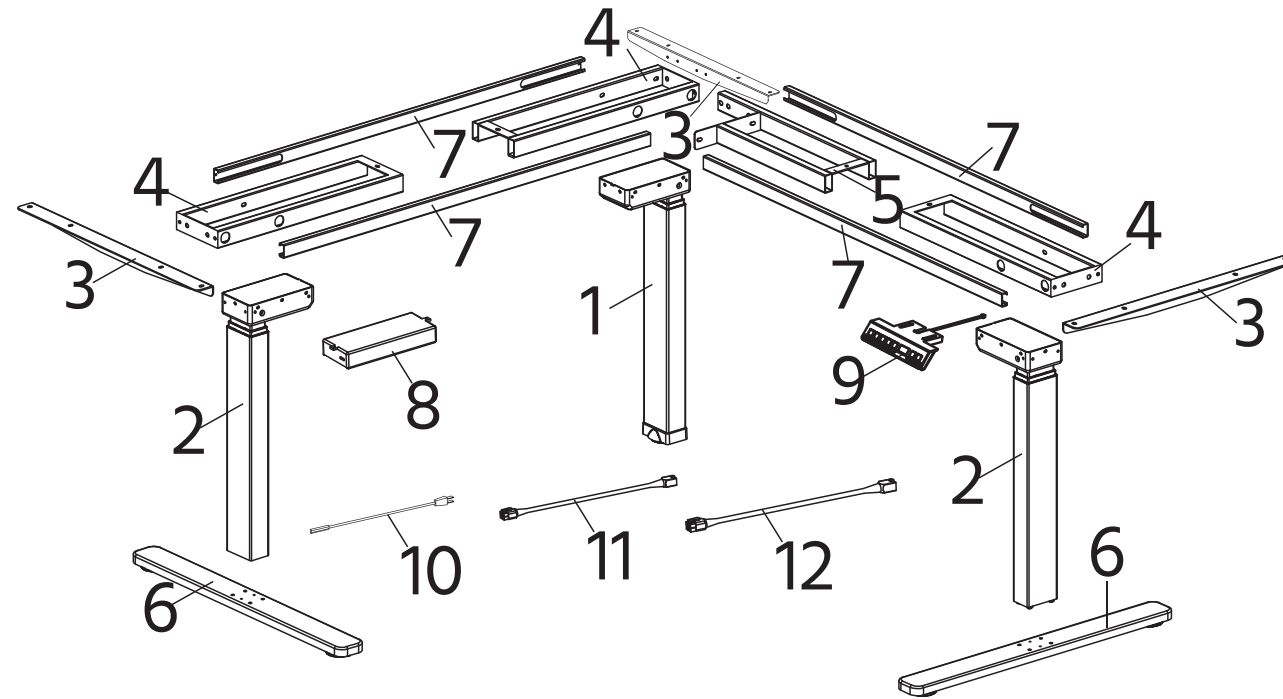


Rev.	Rev. Date	Brief Description
V3	2023/02/24	Material

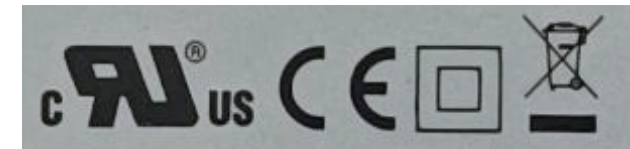


- ① Table leg1 (x1)
- ② Table leg2 (x2)
- ③ Side Plates (x3)
- ④ Frames1 (x3)
- ⑤ Frame2 (x1)
- ⑥ Leg Base (x2)
- ⑦ Crossbar (x4)
- ⑧ Controller box (x1)
- ⑨ Control Panel (x1)
- ⑩ Power cord (x1)
- ⑪ Connection lines short (x2)
- ⑫ Connection line long (x1)

HARDWARE LIST

- A Screws 6×11mm (x42)
 - B Screws M5×16mm (x28)
 - C Screws M6×35mm (x6)
 - D Allen Key S=5mm (x1)
 - E Cable Clip (x8)
 - F Tabletop Connector (x2)
- Spare Parts
- A M6×11mm (x2)
 - B M5×16mm (x2)
 - C M6×35mm (x1)

Controller
 Input : AC100-240V , 47-63Hz/4A(max.) Output : 24V DC/5A , 5V DC/Signal Control Actuator: 3
 Duty Cycle : 10%, 2min on/18min off



1	Max. Load Capacity	265 lbs		
2	Column Segments	3		
NO.	PART NAME	SPECIFICATION DESCRIPTION	QTY	UNIT

M MONOPRICE		
DESCRIPTION Monoprice Triple-Motor Height-Adjustable Sit-Stand L-Shaped Corner Desk Frame		
PID 34827 / 34828 / 34829		
DATE 2025/05/26	UNIT Inches	FILE NAME PID_PRODUCT