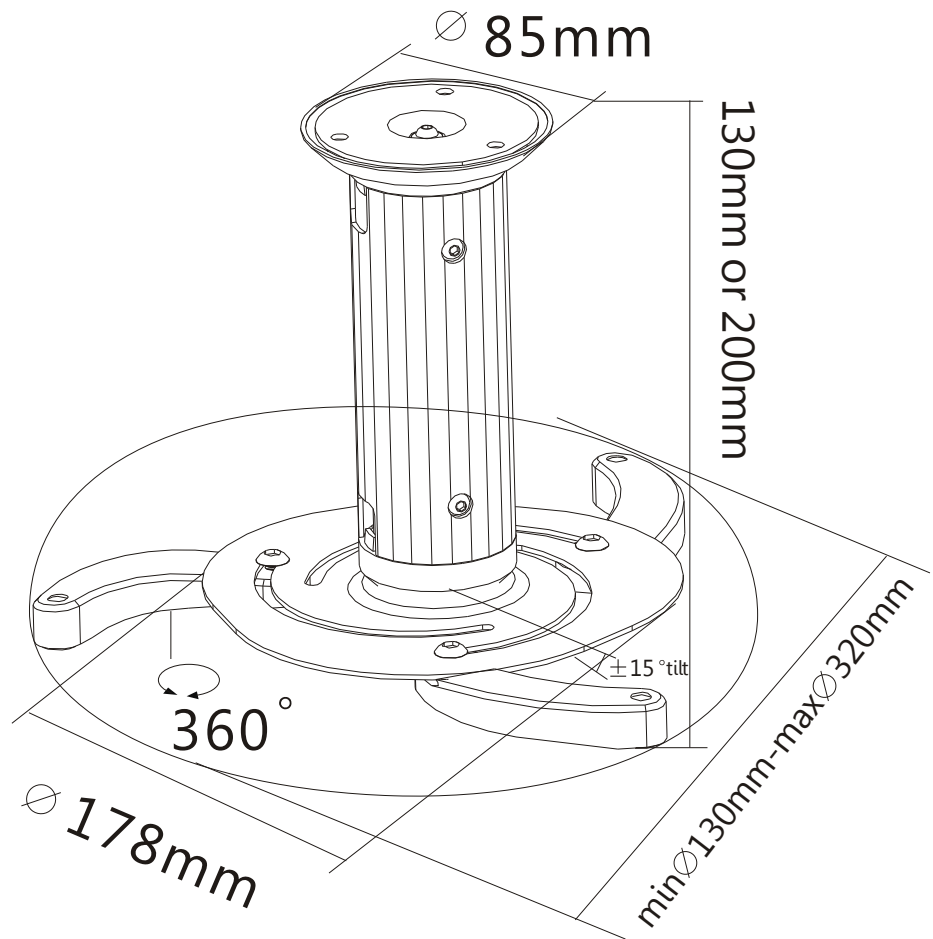


REVISION INFORMATION			
Rev.	Rev. Date	Modified By	Brief Description



	M4x14 (x4)
	M5x20 (x4)
	M6x12 (x4)
	x3
	x3
	x3
	x2
	pacer (x6)
	x6
	x3
	x3

* All of materials satisfy the CA65, ROHS...

GENERAL TOLERANCE		APPROVED BY & DATE :	DESCRIPTION :			
0-6	±0.05	CHECKED BY & DATE :	Ceiling Bracket for Projector (Max 22Lbs) - BLACK			
6-18	±0.07		ITEM NO. : 3874			
18-50	±0.10	DESIGNED BY & DATE :	DATE :	REV :	UNIT :	SHEET :
50-120	±0.15		2017/01/10	A01	MM	1 OF 2
			SCALE:	1 : 1		

NO.	PART NAME	SPECIFICATION DESCRIPTION	QTY	UNIT
③				
②				
①	3874	Ceiling Bracket for Projector (Max 22Lbs) - BLACK		