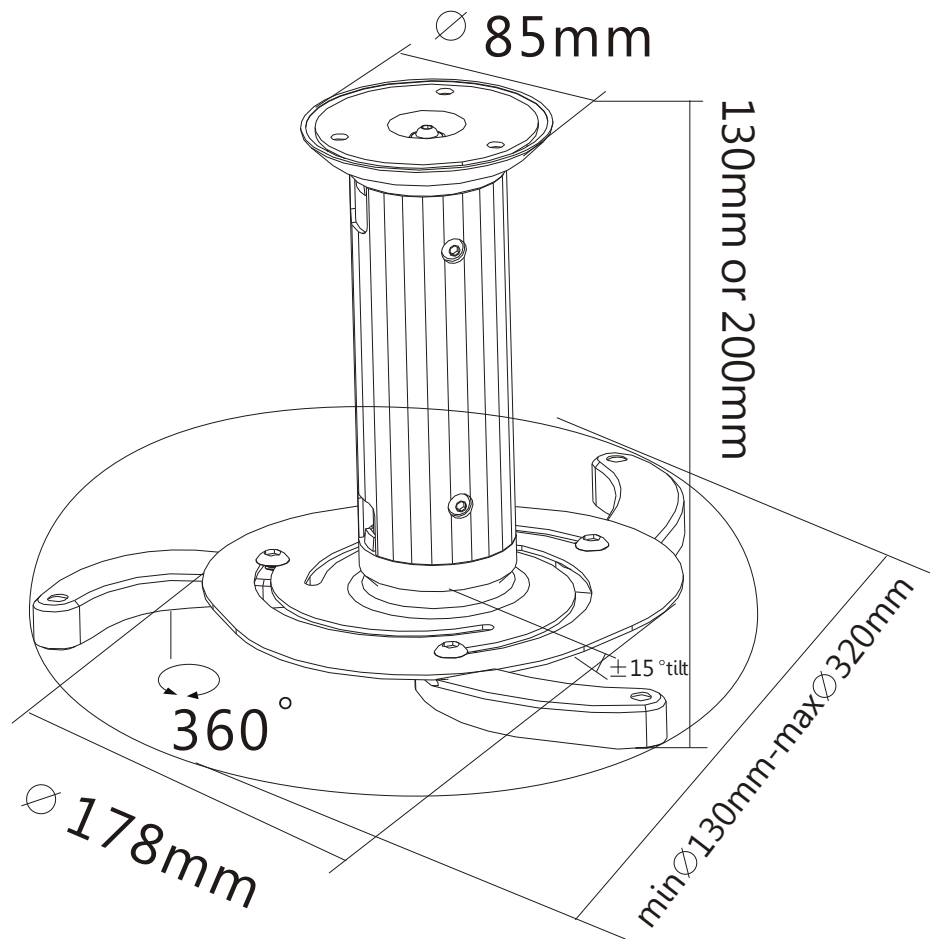


| REVISION INFORMATION | | | |
|----------------------|-----------|-------------|-------------------|
| Rev. | Rev. Date | Modified By | Brief Description |
| | | | |



| | |
|--|------------|
| | M4x14 (x4) |
| | M5x20 (x4) |
| | M6x12 (x4) |
| | x3 |
| | x3 |
| | x3 |
| | x2 |
| | pacer (x6) |
| | x6 |
| | x3 |
| | x3 |

* All of materials satisfy the CA65, ROHS...

| | | | | | | |
|-------------------|-------|----------------------|--|-----------|-----------|----------------|
| GENERAL TOLERANCE | | APPROVED BY & DATE : | DESCRIPTION : | | | |
| 0-6 | ±0.05 | CHECKED BY & DATE : | Ceiling Bracket for Projector (Max 22Lbs) - WHITE | | | |
| 6-18 | ±0.07 | | | | | |
| 18-50 | ±0.10 | DESIGNED BY & DATE : | ITEM NO. : 3875 | | | |
| 50-120 | ±0.15 | | DATE : 2017/01/10 | REV : A01 | UNIT : MM | SHEET : 1 OF 2 |

| NO. | PART NAME | SPECIFICATION DESCRIPTION | QTY | UNIT |
|-----|-------------|---|-----|------|
| ③ | | | | |
| ② | | | | |
| ① | 3875 | Ceiling Bracket for Projector (Max 22Lbs) - WHITE | | |