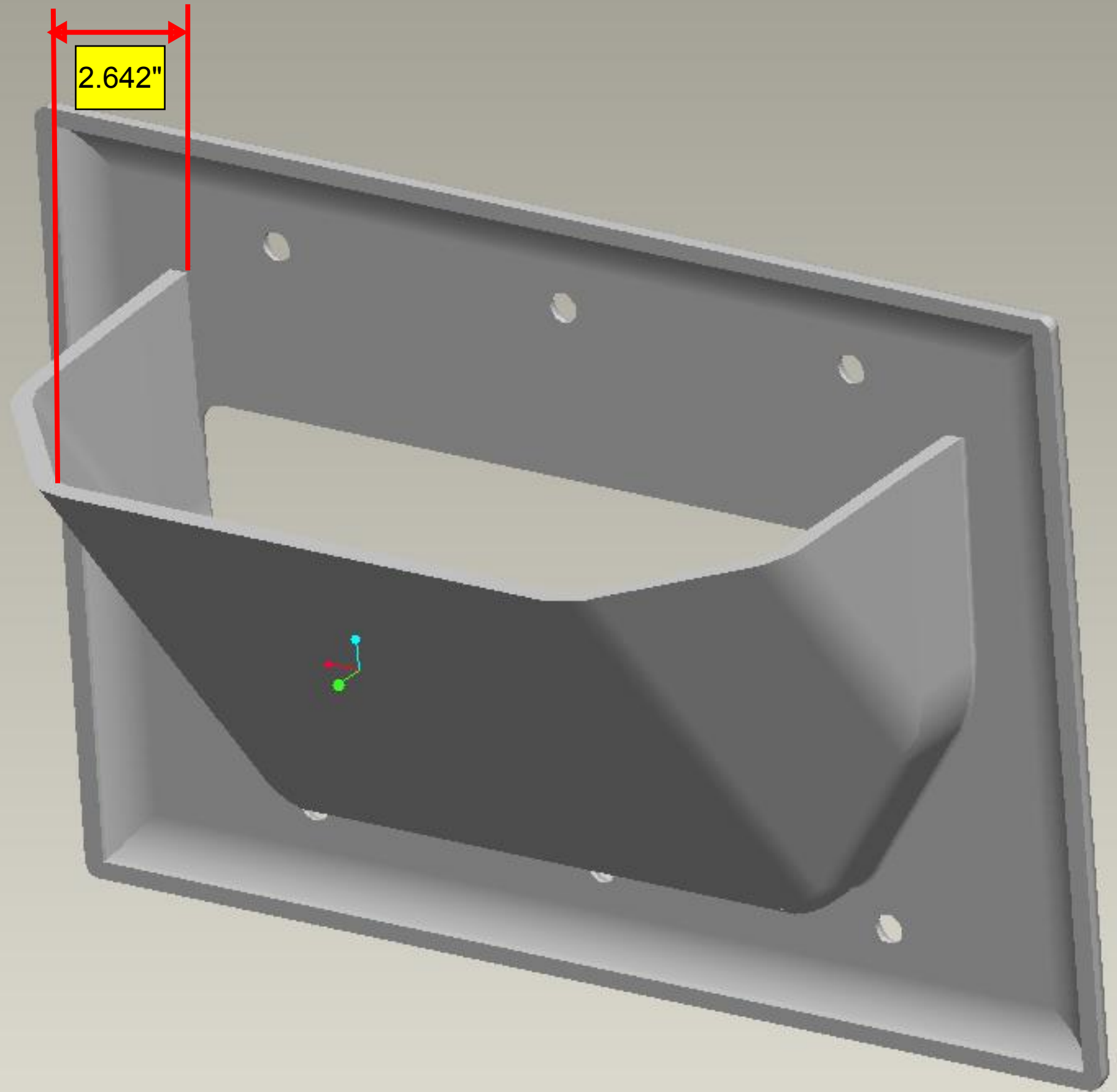


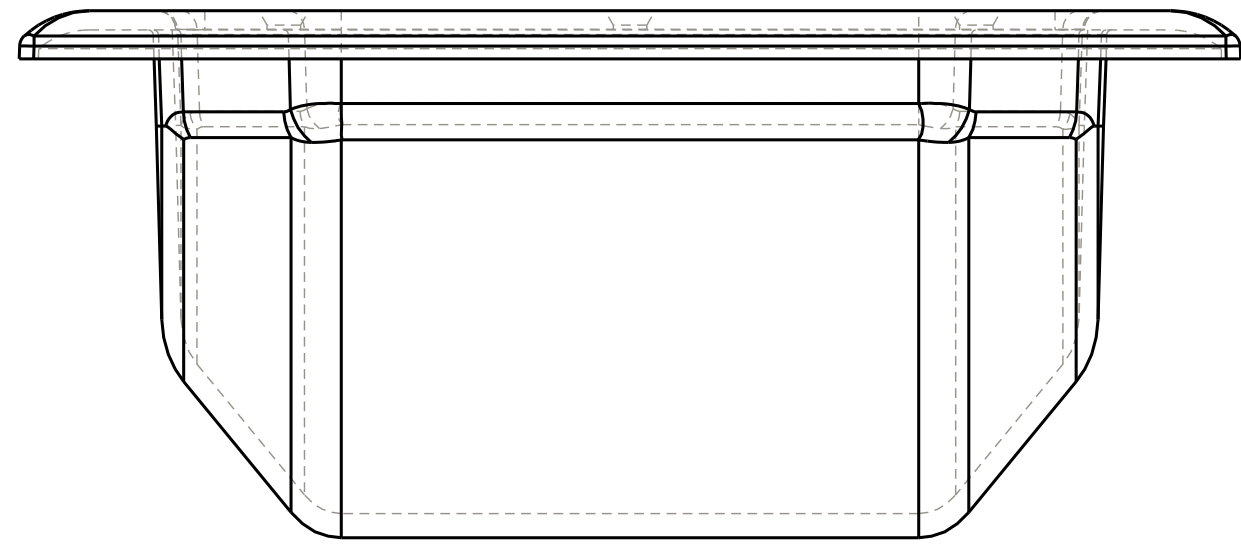
6.350"

4.515"

3.600"

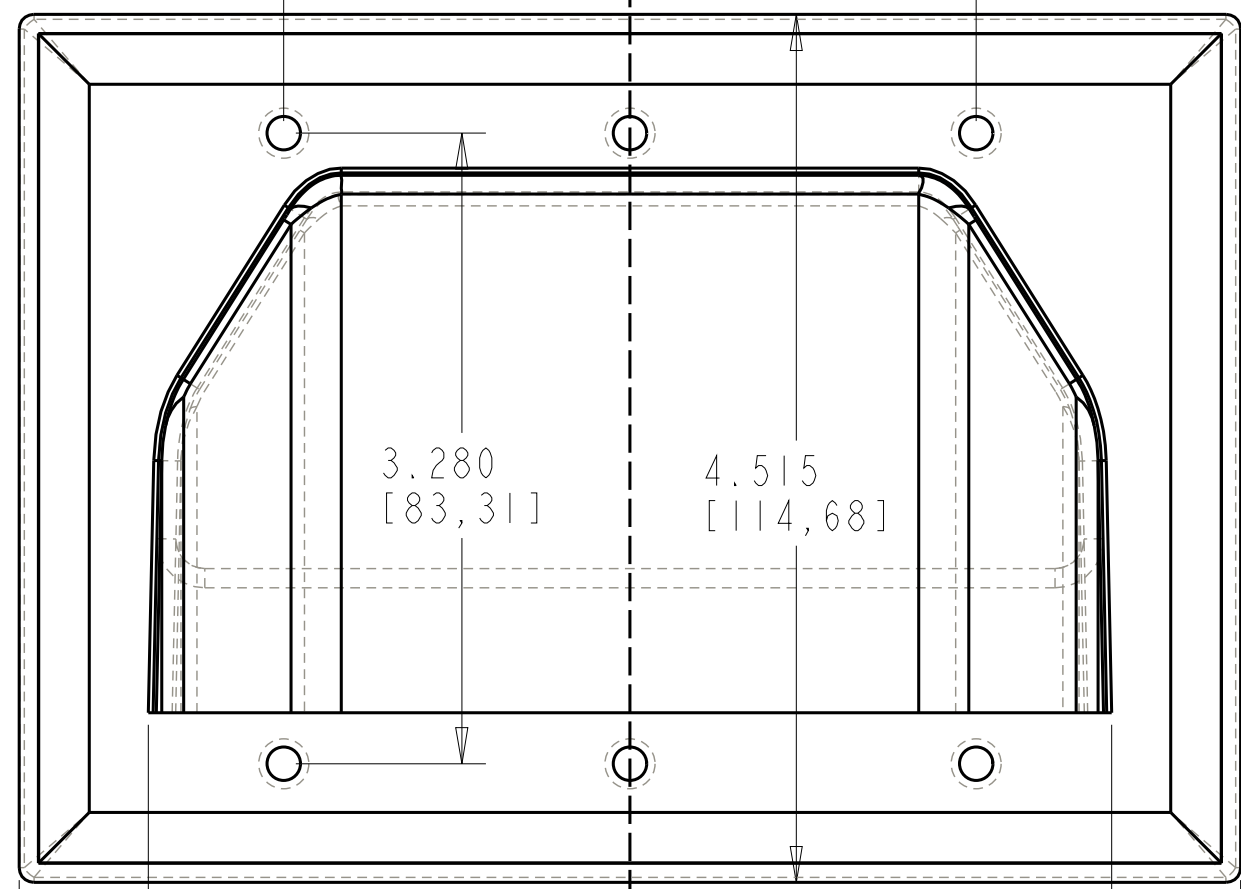
4.766"





1.800 [45,72]      1.800 [45,72]

A ←



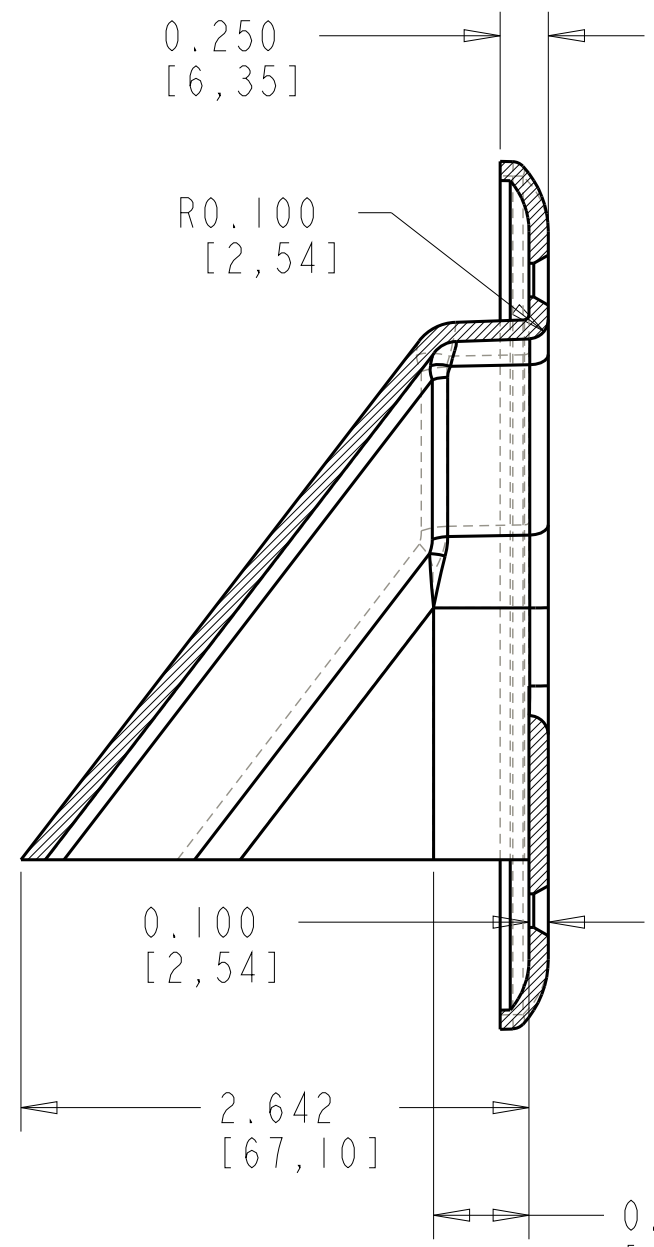
3.280 [83,31]      4.515 [114,68]

A ←

5.008 [127,20]

6.350 [161,29]

SECTION A-A



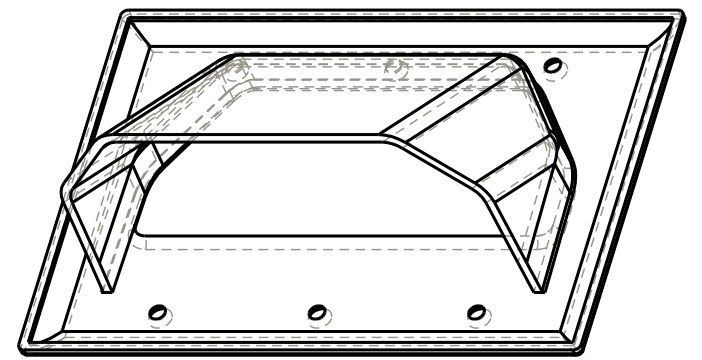
0.250 [6,35]

R0.100 [2,54]

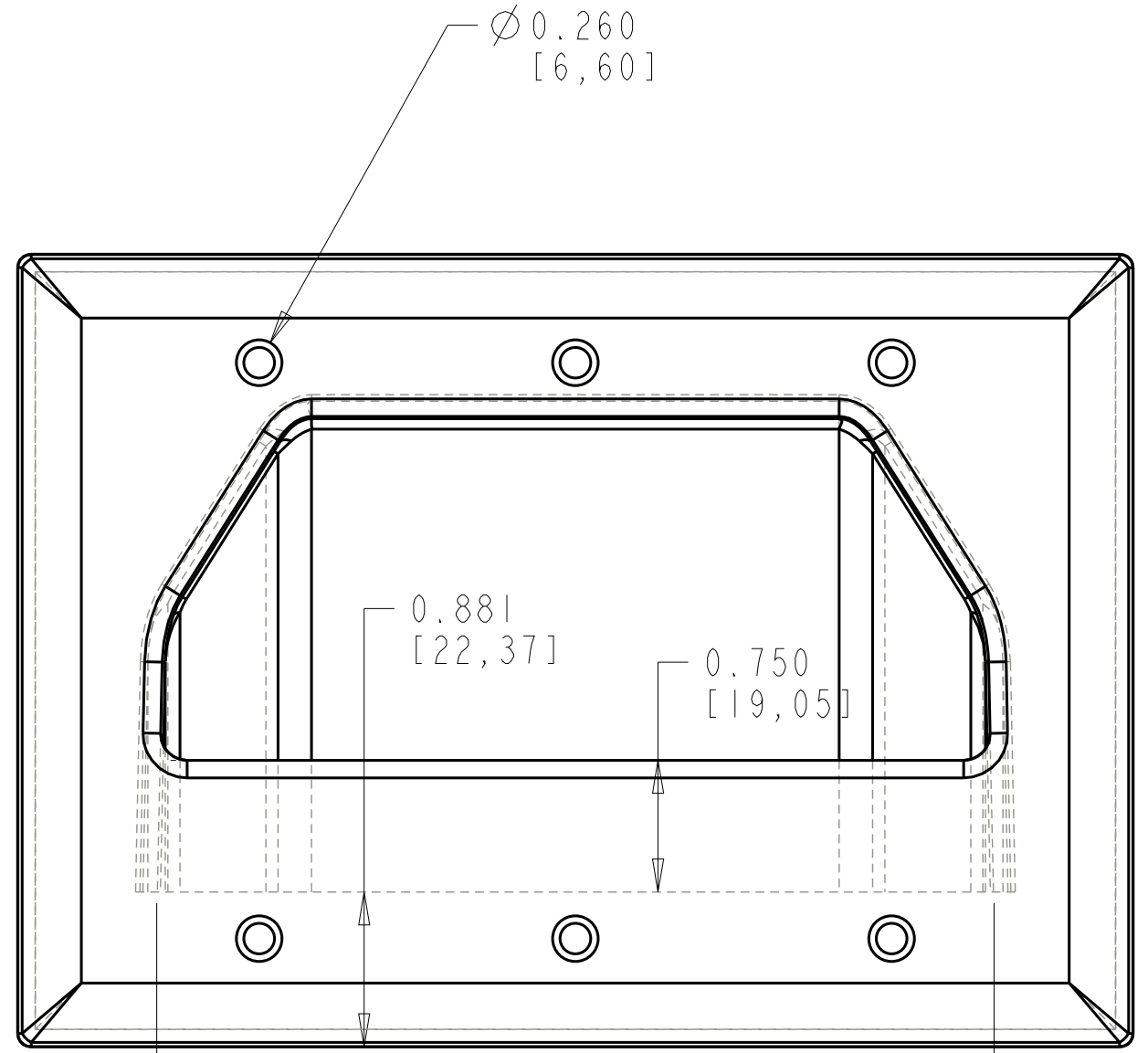
0.100 [2,54]

2.642 [67,10]

0.497 [12,62]



SCALE 0.500



∅0.260 [6,60]

0.881 [22,37]

0.750 [19,05]

4.766 [121,07]