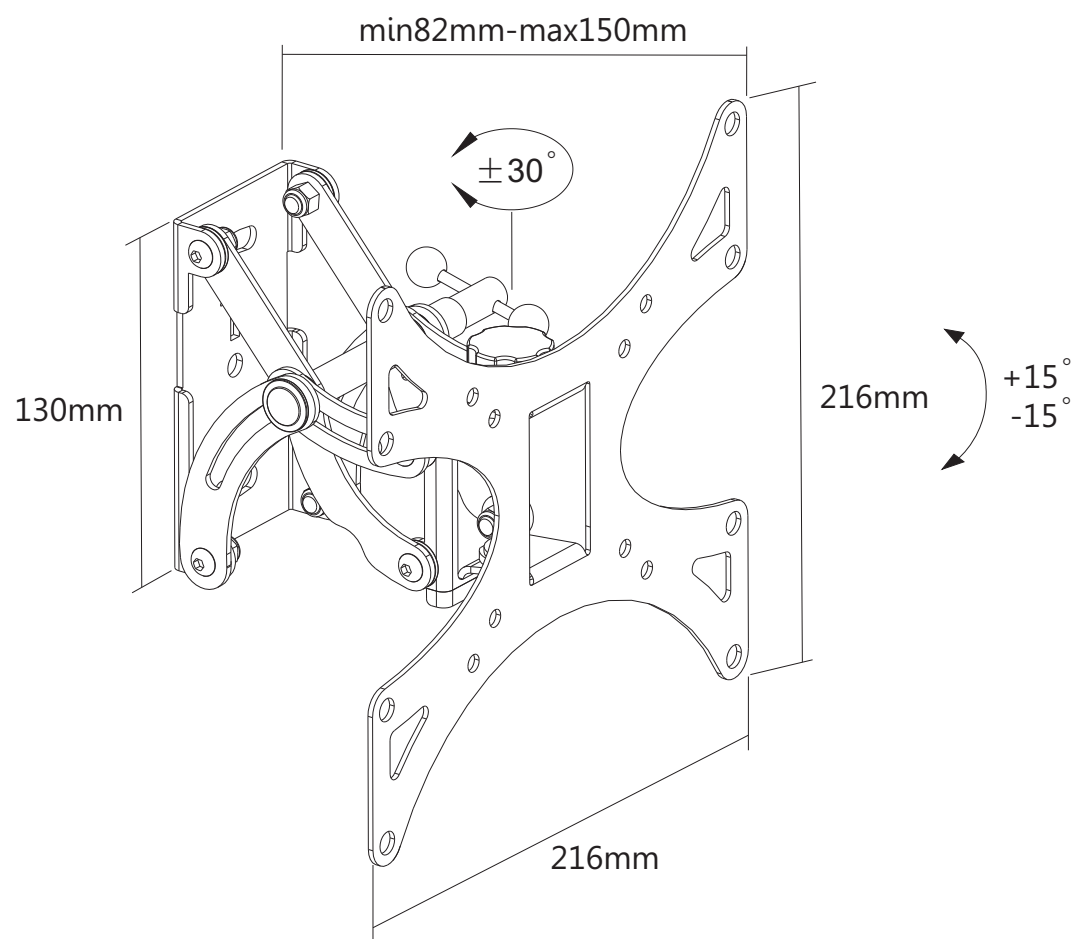


REVISION INFORMATION			
Rev.	Rev. Date	Modified By	Brief Description



	M4x14 (x4)
	M5x14 (x4)
	M6x14 (x4)
	M8x20 (x4)
	(x4)
	(x4)
	(x8)
	(x3)
	(x3)
	(x3)

• All of materials satisfy the CA65, ROHS...



GENERAL TOLERANCE		APPROVED BY & DATE :	DESCRIPTION :				
0-6	±0.05	CHECKED BY & DATE :	Full-Motion Wall Mount Bracket (Max 66 lbs, 23 - 42 inch)				
6-18	±0.07		ITEM NO. : 4566				
18-50	±0.10	DESIGNED BY & DATE :	DATE :	REV :	UNIT :	SHEET :	SCALE :
50-120	±0.15		2017/01/10	A01	MM	1 OF 2	1 : 1

NO.	PART NAME	SPECIFICATION DESCRIPTION	QTY	UNIT
③				
②				
①	4566	Full-Motion Wall Mount Bracket (Max 66 lbs, 23 - 42 inch)		