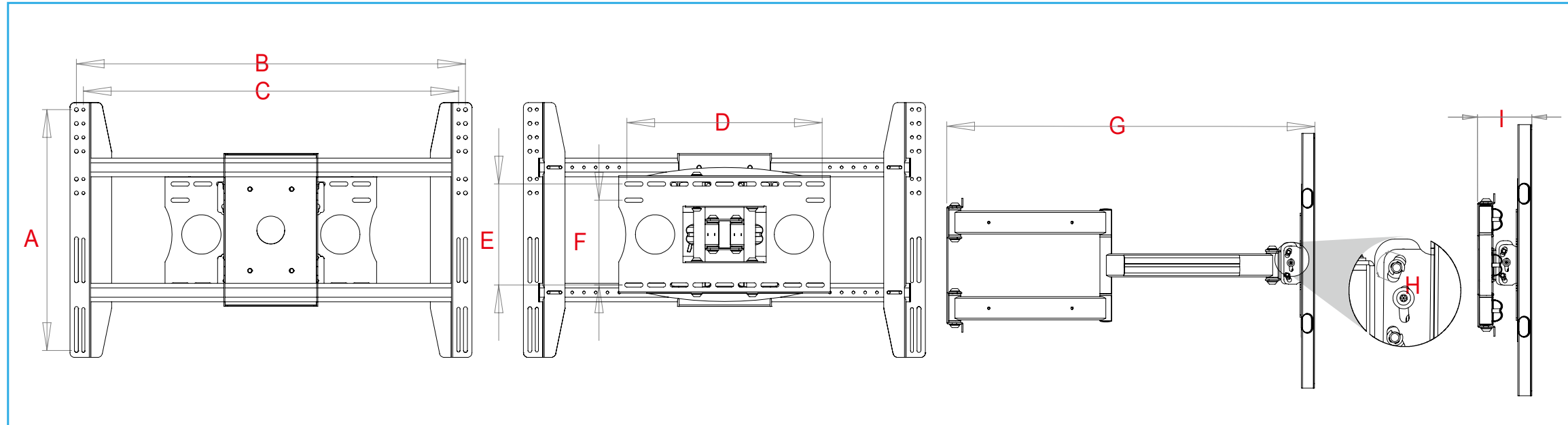


Articulating Mount MHA-800



TECHNICAL SPECIFICATIONS		
A.	520mm	20.47"
B.	840mm	33.07"
C.	810mm	31.89"
D.	422mm	16.61"
E.	218mm	8.58"
F.	183mm	7.20"
G.	812mm	31.97"
H.	-5° --- +15°	
I.	197mm	7.76"

- . Fits for 42"- 63" flat panel displays
- . Available in silver and black
- . Max load capacity: 91kg
- . VESA: 500x800