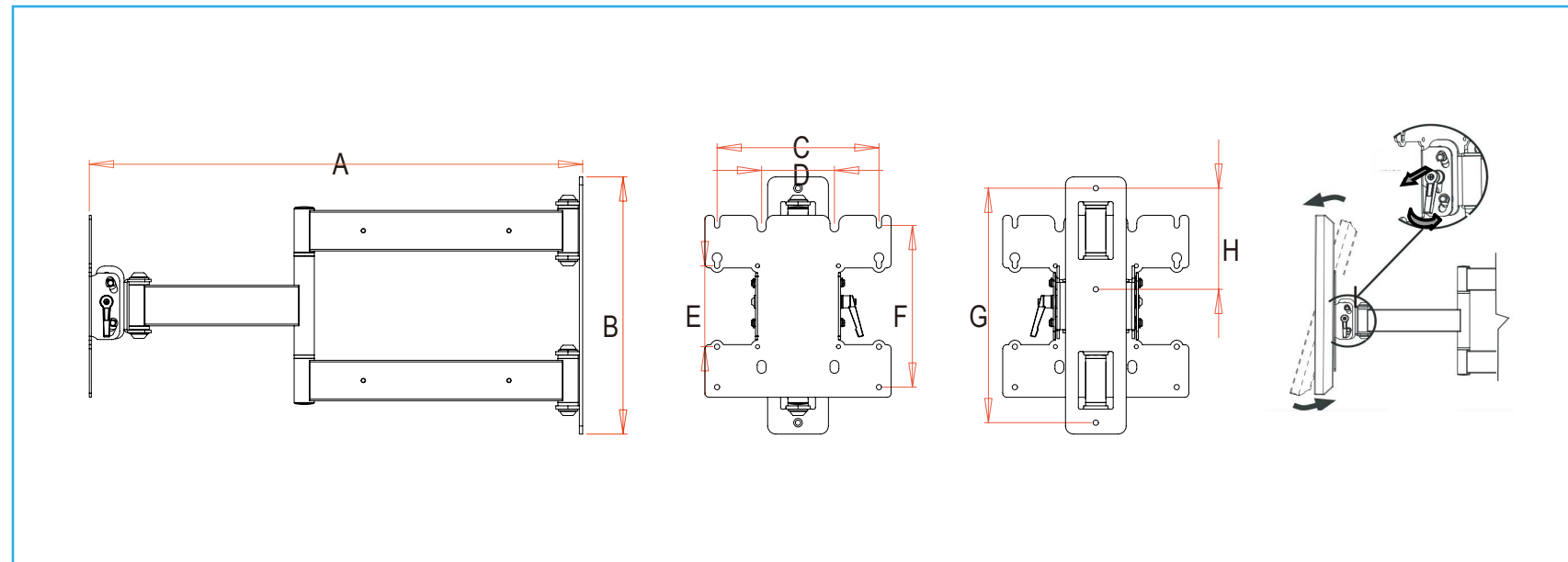


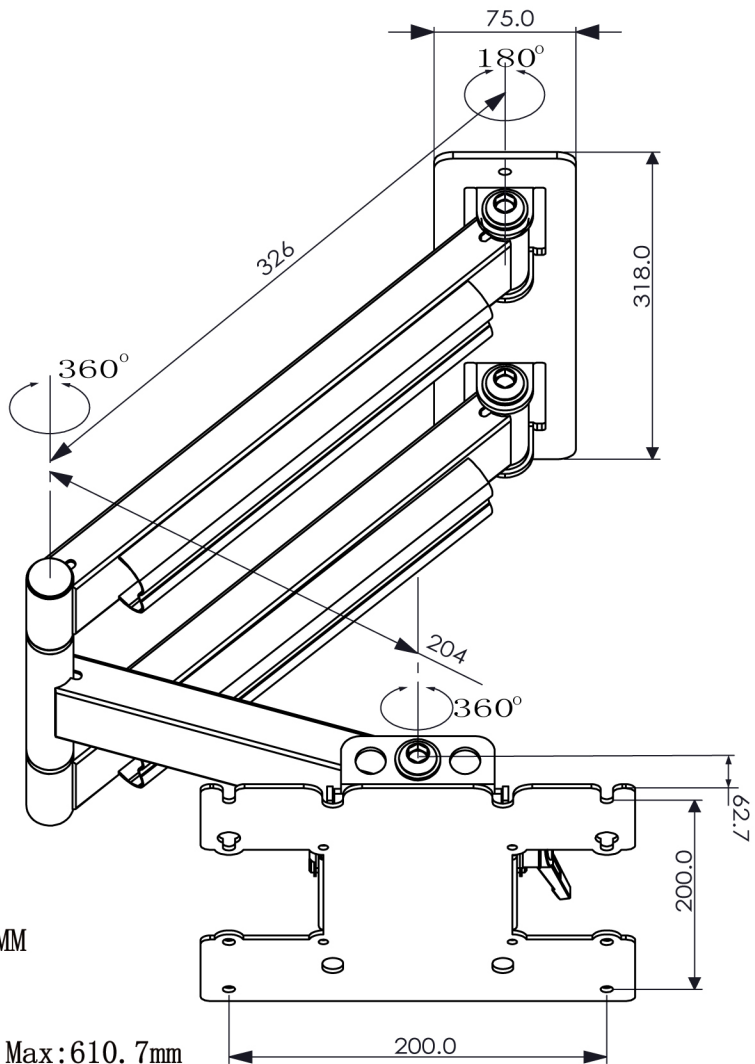
Model Name: Cantilever Mount MHA-200

Flat panel 24"-37"



TECHNICAL SPECIFICATIONS		
A.	610mm	24.02"
B.	318mm	12.52"
C.	200mm	7.87"
D.	90mm	3.54"
E.	100mm	3.94"
F.	200mm	7.87"
G.	290mm	11.42"
H.	125mm	4.92"
I.	-5°-- +15°	

- Fast & easy fixed mount with lift-and-lock installation
- . Including mounting guide, locking system and complete mounting hardware kit
- . Fits for 24"-37" flat panel displays
- . Available in silver and black
- . Max load capacity: 80lbs
- . Tilting angle is -5° to +15°



LCD VESA: 75/100/200MM

MAX 37KG/80Ibs

TV To Wall : Min: 77.7mm Max: 610.7mm