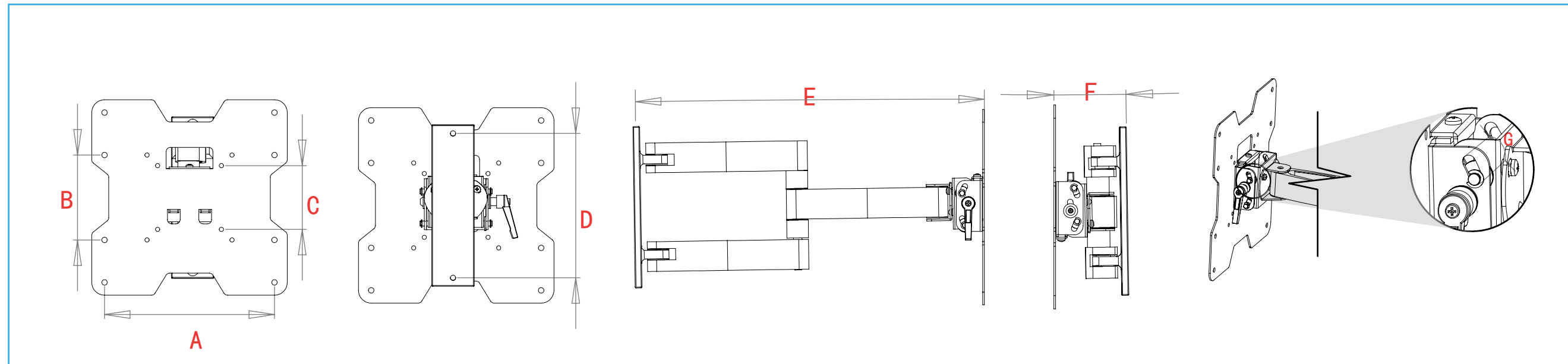


Mount MHA-3



TECHNICAL SPECIFICATIONS		
A.	200mm	7.87"
B.	100mm	3.94"
C.	75mm	2.95"
D.	170mm	6.69"
E.	410mm	16.14"
F.	80mm	3.15"
G.	-5 - +15°	

- . Fits for 24"- 37"flat panel displays
- . Available in silver and black
- . Max load capacity:36kg
- . VESA:200x200