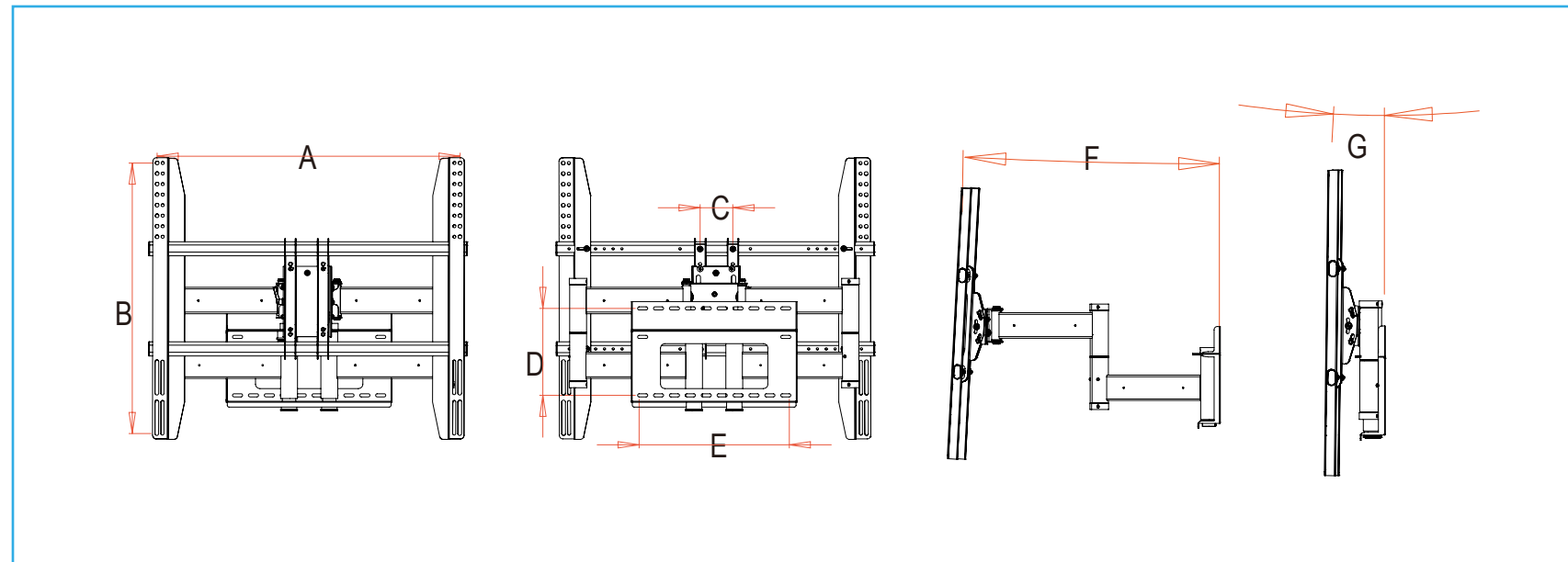


Model Name: Cantilever Mount MHA-72

Flat panel 52"-72"



TECHNICAL SPECIFICATIONS		
A.	860mm	33.86"
B.	769mm	30.28"
C.	93mm	3.66"
D.	247mm	9.72"
E.	426mm	16.77"
F.	785mm	30.91"
G.	232mm	9.13"

- . Fits for 52"- 72"flat panel displays
- . Available in silver and black
- . Max load capacity:136kg
- . VESA:750x850
- . Tilting angle is +15°