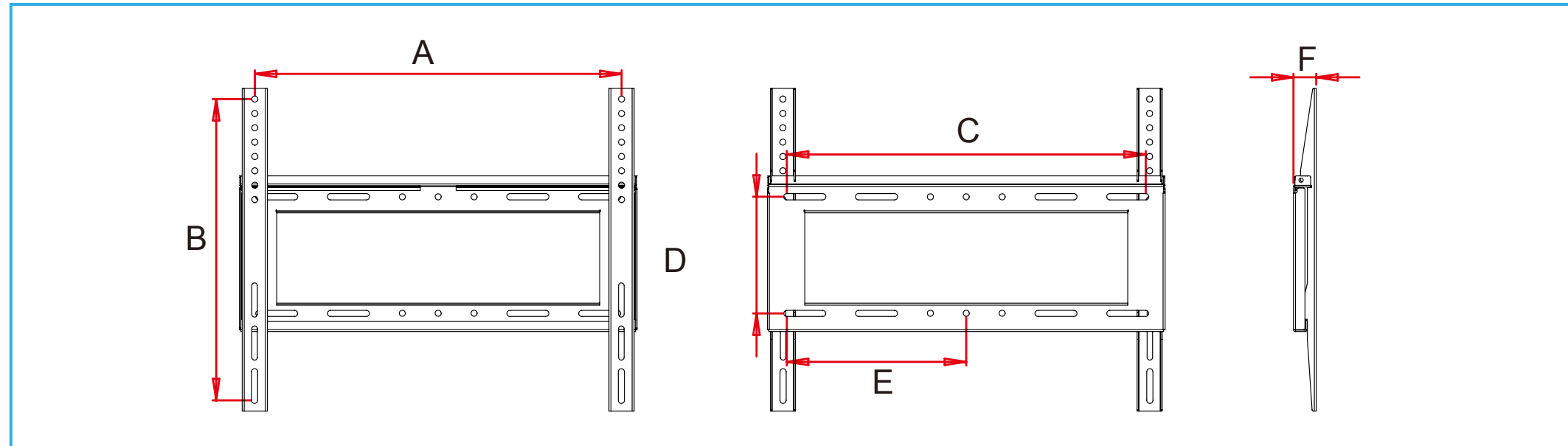


# Tilting TV Wall Mount MF-52



| TECHNICAL SPECIFICATIONS |       |        |
|--------------------------|-------|--------|
| A.                       | 511mm | 20.11" |
| B.                       | 420mm | 16.53" |
| C.                       | 500mm | 19.68" |
| D.                       | 162mm | 6.37"  |
| E.                       | 250mm | 9.84"  |
| F.                       | 31mm  | 1.22"  |

- . Fits for 32"- 52"flat panel displays
- . Available in silver and black
- . Max load capacity:57kg
- . VESA:400x500