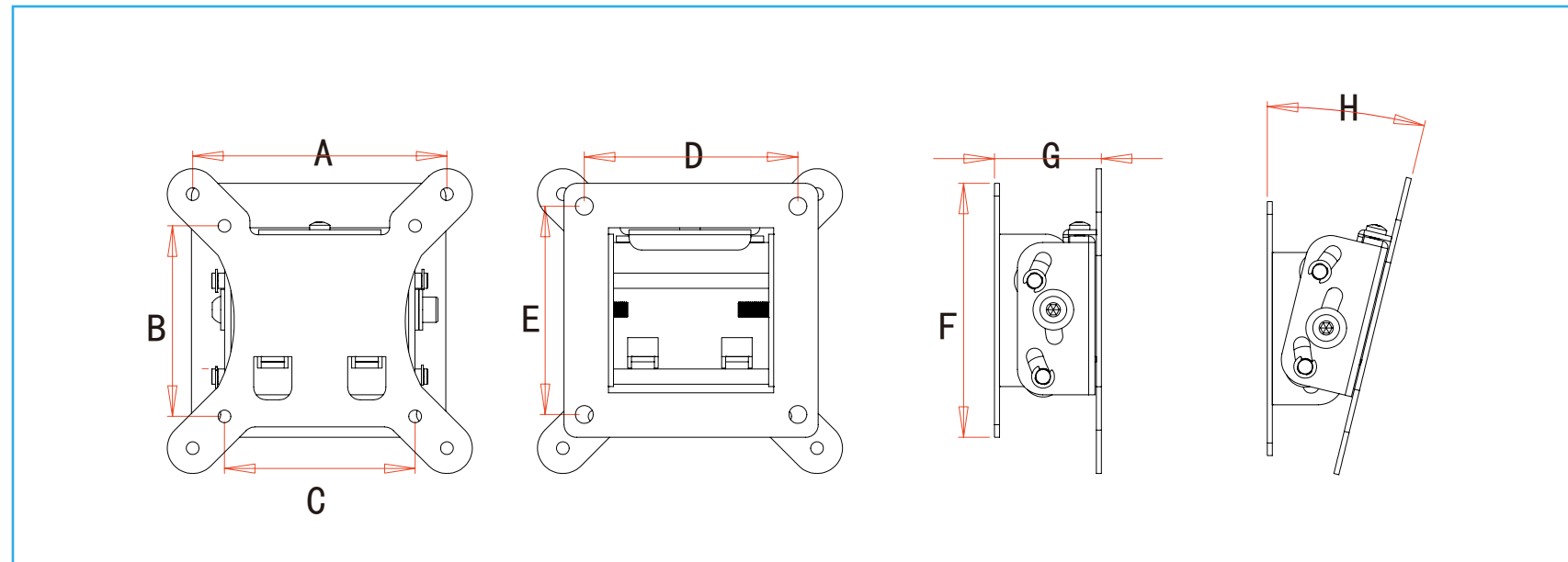


Model Name:MHT-26(T) Universal Wall Mount

Flat panel 10"-26 "



TECHNICAL SPECIFICATIONS		
A.	100mm	3.94"
B.	75mm	2.95"
C.	75mm	2.95"
D.	84mm	3.31"
E.	82mm	3.23"
F.	100mm	3.94"
G.	42mm	1.65"
H.	15°	

- . Fits for 10"- 26"flat panel displays
- . Available in silver and black
- . Max load capacity:15kg
- . VESA Compliant: 100x100
- . Tilt: 15°