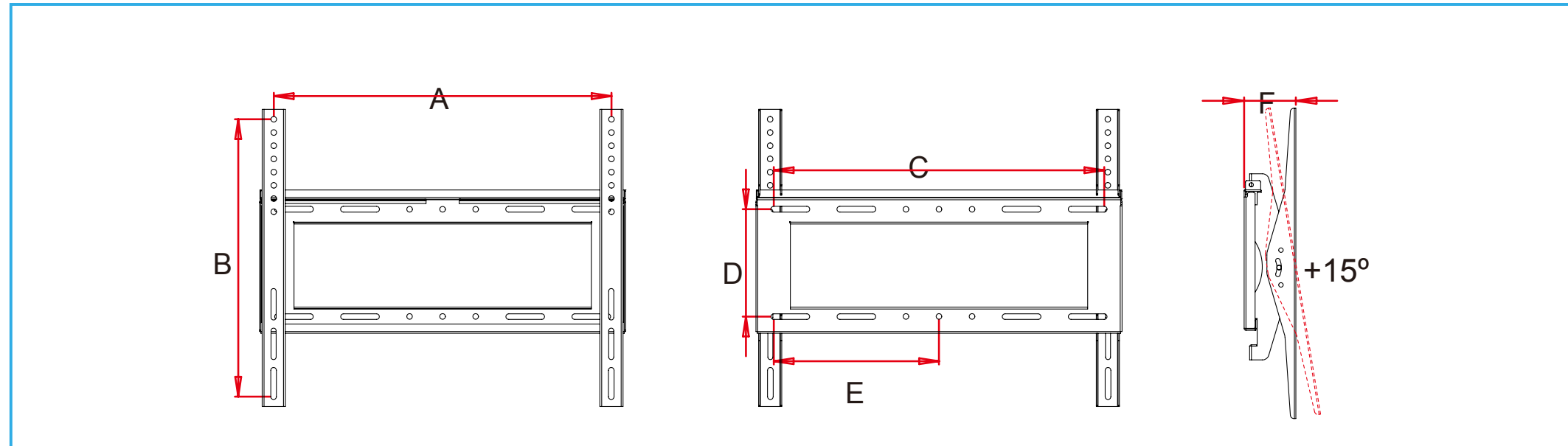
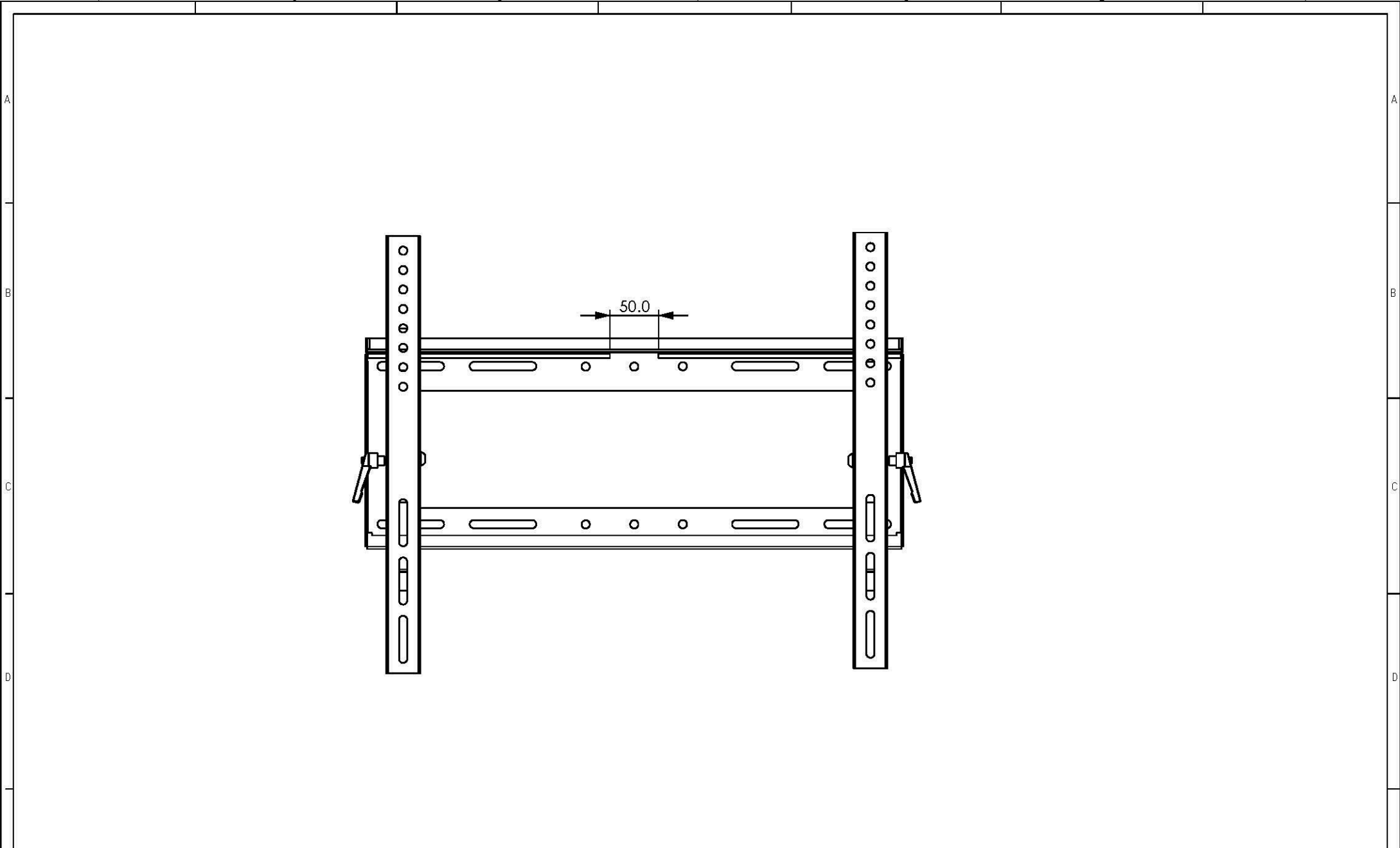


Tilting TV Wall Mount AT!52



TECHNICAL SPECIFICATIONS		
A.	511mm	20.11"
B.	420mm	16.53"
C.	500mm	19.68"
D.	162mm	6.37"
E.	250mm	9.84"
F.	75mm	2.95"

- . Fits for 32"- 52" flat panel displays
- . Available in silver and black
- . Max load capacity:57kg
- . VESA:400x500
- . Tilt: +15°



A	2011-4-18	NEW	hyy
REV	DATE	DESCRIPTION	DRW
7			

TOLERANCE UNLESS OTHERWISE SPECIFIED	
00~06	±0.05
06~30	±0.10
30~120	±0.30
120~400	±0.50
ANGLE	±0.50°
HOLD	±0.10

APPROVALS	DATE	MATERIAL: Material	
DRW:		PART NO.	
CHD:		UNIT: MM	SCALE: 1:5
APPD:		PROJECTION	

MONOPRICE®
PID-6526