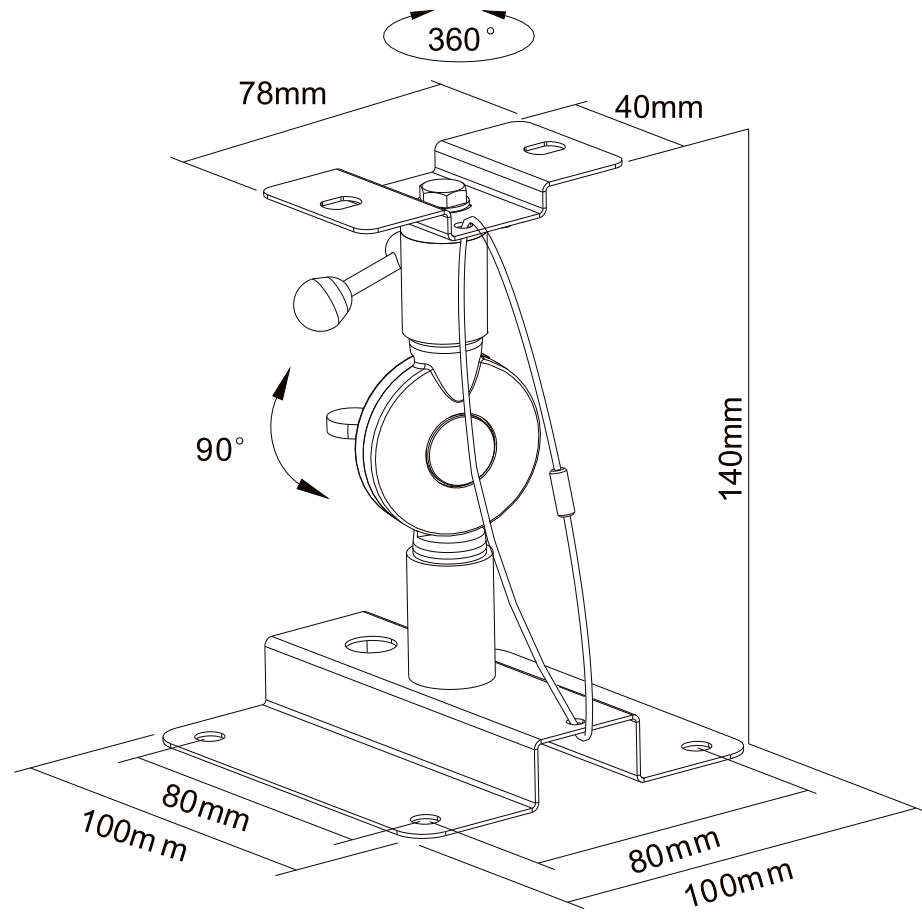


REVISION INFORMATION			
Rev.	Rev. Date	Modified By	Brief Description



	M5x10 (x4)
	D5(x4)
	(x8)
	(x8)
	D6(x8)

• All of materials satisfy the CA65, ROHS...

GENERAL TOLERANCE		APPROVED BY & DATE :	DESCRIPTION :			
0-6	±0.05	CHECKED BY & DATE :	Adjustable 33 lb. Capacity Speaker Wall Mount Brackets (Pair), Black			
6-18	±0.07		ITEM NO. : 6839			
18-50	±0.10	DESIGNED BY & DATE :	DATE :	REV :	UNIT :	SHEET:
50-120	±0.15		2017/01/10	A01	MM	1 OF 2
			SCALE:			
			1 : 1			

NO.	PART NAME	SPECIFICATION DESCRIPTION	QTY	UNIT
③				
②				
①	6839	Adjustable 33 lb. Capacity Speaker Wall Mount Brackets (Pair), Black		