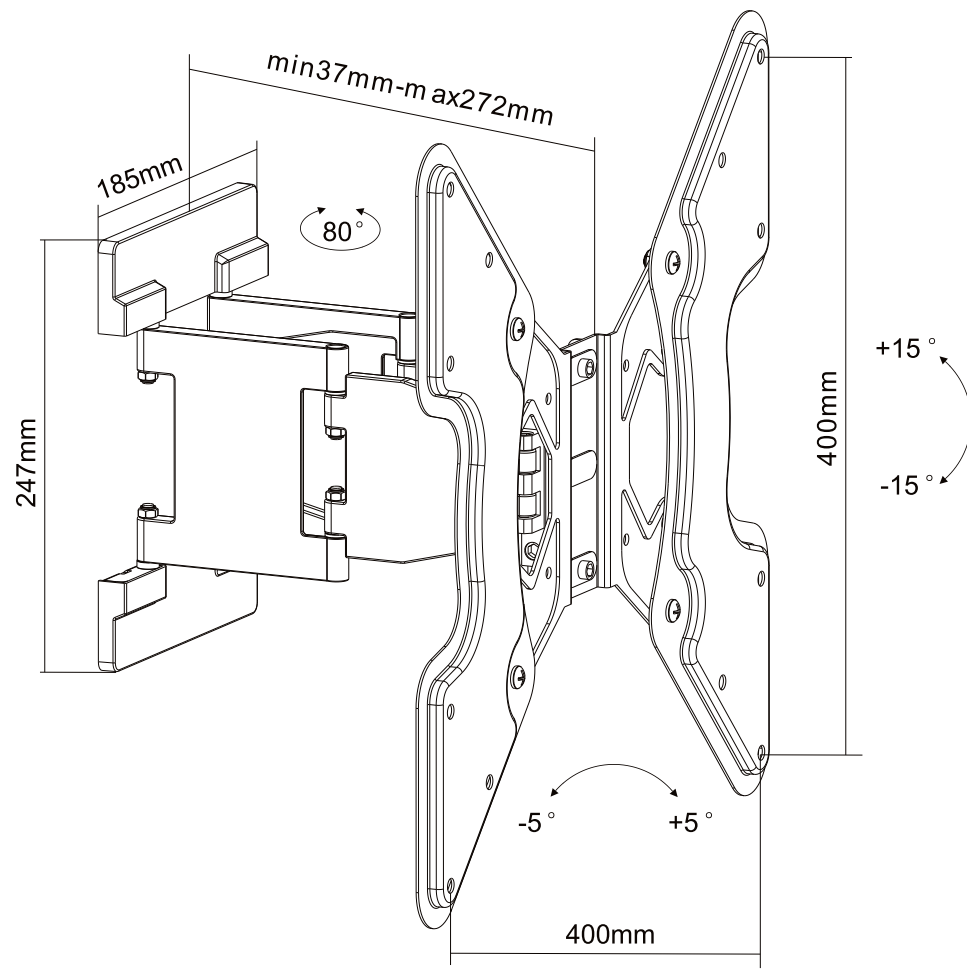


| REVISION INFORMATION | | | |
|----------------------|-----------|-------------|-------------------|
| Rev. | Rev. Date | Modified By | Brief Description |
| | | | |



| | |
|--|------------|
| | M5x14 (x4) |
| | M6x14 (x4) |
| | M8x20 (x4) |
| | M6x30 (x4) |
| | M8x30 (x4) |
| | D6 (x4) |
| | D8 (x4) |
| | (x8) |
| | (x4) |
| | (x6) |
| | (x6) |
| | (x4) |
| | |
| | |
| | |
| | |

• All of materials satisfy the CA65, ROHS...



| NO. | PART NAME | SPECIFICATION DESCRIPTION | QTY | UNIT |
|-----|-----------|---|-----|------|
| ③ | | | | |
| ② | | | | |
| ① | 8680 | Slim Full-Motion TV Wall Mount Bracket (Max 66 lbs, 32 - 55 inch) | | |

| | | | | | | | |
|-------------------|-------|----------------------|---|-------|--------|---------|---------|
| GENERAL TOLERANCE | | APPROVED BY & DATE : | DESCRIPTION : | | | | |
| 0-6 | ±0.05 | CHECKED BY & DATE : | Slim Full-Motion TV Wall Mount Bracket (Max 66 lbs, 32 - 55 inch) | | | | |
| 6-18 | ±0.07 | | ITEM NO. : 8680 | | | | |
| 18-50 | ±0.10 | DESIGNED BY & DATE : | DATE : | REV : | UNIT : | SHEET : | SCALE : |
| 50-120 | ±0.15 | | 2017/01/10 | A01 | MM | 1 OF 2 | 1 : 1 |

