

MONOPRICE® MHD Action Camera Suction Cup Mount

Product ID: 10160

Features

- 3 1/4" suction cup mounts to almost any smooth, flat surface
- Quick and easy mounting and removal of the MHD Action Camera

Package Contents

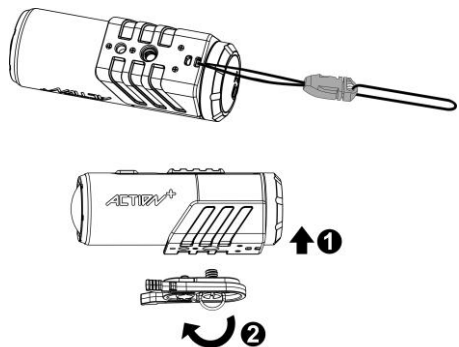
Please take an inventory of the package contents to ensure you have all the items listed below. If anything is missing or damaged, please contact Monoprice Customer Service for a replacement.



1	Mounting Clip Shoe	3	Suction cup mount assembly
2	1/4"-20 UNC Fixed Mount		

Preparing the Camera for Mounting

Prior to mounting the camera, attach the **Security Strap** and **1/4"-20 UNC Mounting Clip** to the camera according to the instructions included with the camera. Note that the Security Strap and Mounting Clip are included with the camera.



Attaching the Camera Mount

1. Determine whether you will be using the Mounting Clip, with its quick release option, or the fixed Mount.
2. Loosen and remove the screw at the extreme end of the mounting arm.
3. Attach the Mounting Clip Shoe or Fixed Mount to the mounting arm using the screw you removed in the previous step.

Using the Suction Cup Mount

The powerful suction cup on this mount allows the camera to be mounted to almost any smooth, flat surface. For best results, please follow these steps when attaching the suction cup mount to a surface.

1. Locate the surface upon which you want to attach the mount. Ensure that it is flat and smooth and is in a position such that you can orient the camera to obtain the action footage you desire.
2. Clean the surface at the mounting location to ensure there is no dust, dirt, oil, or grease, which can reduce the effectiveness of the air-tight seal.
3. Ensure that the suction mount locking lever is fully released (pull up to release).
4. Orient the suction mount so that the camera is aimed in the desired direction.
5. Press the suction cup firmly into place then push down on the center button to remove the air from between the surface and the suction cup.
6. Push down on the locking lever. This will create an airtight suction that will stay firmly in place.

To remove the suction cup mount, first pull up the locking lever, then pull on the transparent suction cup tab to release it from the mounting surface.

Adjusting Camera Orientation

1. If the camera is not already installed onto the suction cup mounting bracket, install it now. If you are using the Mounting Clip, simply slide the clip into the shoe. If using the Fixed Mount, use the 1/4"-20 UNC screw to attach the camera to the mount.
2. Loosen the screws at the pivot points of the mounting arm on the suction cup mount.
3. Adjust the mounting arm until the camera is properly aimed.
4. Tighten all the screws on the mounting arm.
5. Double-check all mounting points to ensure that nothing is loose or could come loose during camera operation.

Notes:

- If the camera is mounted in the inverted position, ensure that the Auto Rotation function is enabled to ensure that your video is oriented properly. The Auto Rotation function is enabled by default on the Monoprice MHD Action Camera.
- In some states or municipalities, it is illegal to mount any device to your windshield. Check your local and/or state laws before attempting to attach this mount to your windshield for operation on public roadways.
- Remove the camera from the mount and/or remove the mount from the mounting surface when not in use.