

MONOPRICE®

MHD Action Camera Helmet Mount

Product ID: 10161

Features

Attach the camera to any type of helmet (bike, motorcycle, ski, skydive, etc.)
Easily remove and remount the camera as needed

Package Contents

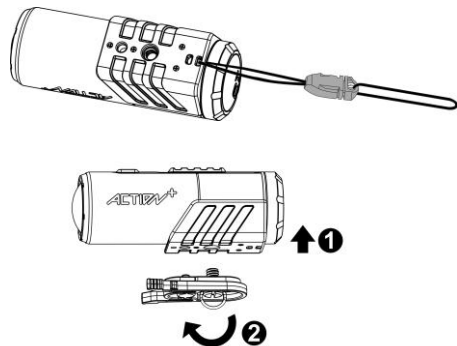
Please take an inventory of the package contents to ensure you have all the items listed below. If anything is missing or damaged, please contact Monoprice Customer Service for a replacement.



1	Top Profile Mounting Clip Shoe	7	Helmet Fitting Piece
2	Bike Mount	8	Double Sided Adhesive Helmet Fitting Pad (1)
3	Side Profile Mounting Clip Shoe	9	Single Sided Adhesive Helmet Fitting Pad (1)
4	Helmet Mount	10	46" Nylon Mounting Strap
5	Double Sided Adhesive Helmet Pads (3)	11	93" Nylon Mounting Strap
6	Single Sided Adhesive Helmet Pads (2)		

Preparing the Camera for Mounting

Prior to mounting the camera, attach the **Security Strap** and **1/4"-20 UNC Mounting Clip** to the camera according to the instructions included with the camera. Note that the Security Strap and Mounting Clip are included with the camera.



Attaching the Camera Mount

1. Determine whether you will be using the Top Profile or Side Profile Mounting Clip Shoe.
2. Remove the nut from the Helmet Mount.
3. Slide the Helmet Mount nut over the ball joint on the Mounting Clip Shoe.
4. Push the ball into the ball socket on the Helmet Mount.
5. Tighten the nut onto the Helmet Mount to secure the position of the ball in the joint.

Attaching the Mount to a Helmet

There are two basic ways to attach the Helmet Mount to a helmet:

- Using the adhesive pads
- Using a mounting strap

The adhesive option is intended for more permanent mounting solution, while the strap gives the flexibility of a more temporary mounting solution.

Adhesive Pad Mounting

To attach the Helmet Mount using Adhesive Pads, perform the following steps:

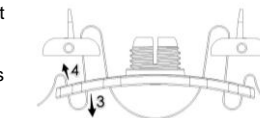
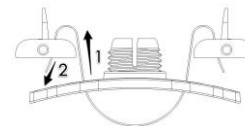
1. Remove the protective film from one side of a Double Sided Adhesive Helmet Pad and attach it to the underside of the Helmet Mount.
2. Remove the protective film from the other side of the pad.
3. Position and orient the mount then press the mount firmly against the side of the helmet to attach the pad.

Note: For best results, the Helmet Mount should be attached at least 24 hours before it is to be used. This gives the adhesive time to set to ensure the mount does not come loose.

Attaching the Strap to the Helmet Mount

The included nylon straps provide an alternate mounting solution that leaves no permanent marks or adhesives on your helmet. To attach the straps to the Helmet Mount and prepare the assembly for attaching to a helmet, perform the following steps:

1. Choose the strap length that will best fit your helmet.
2. Remove the two strap clips from the strap.
3. One each side of the ball joint mounting point on the Helmet Mount are three slots. Thread one end of the strap up through the slot closest to the ball joint mounting point, as shown in step 1 in the image to the right.
4. Look closely at the strap clip. Note that the clip lock will only fully engage in one direction and that the clip base is knurled on the other side. Thread the strap down through the knurled side of the strap clip from the top, as shown in step 2 in the image to the right.
5. Thread the strap down through the middle slot as shown in step 3 in the image to the right.
6. Thread the strap up through the outer slot as shown in step 4 in the image to the right.
7. Pull the strap to remove any slack.
8. Repeat steps 3-7 on the other side of the Helmet Mount.



The Helmet Mount assembly is now ready to attach to a helmet.

Attaching to a Vented Helmet

1. Position the Helmet Mount assembly.
2. Locate the nearest vent to the outer slot on the Helmet Mount assembly. Thread the strap into the vent, then back out the next nearest vent.
3. Thread the end of the strap through the locking side of the Strap Clip, pull tightly to remove any slack, and lock the clip in place.
4. Repeat steps 2-3 for the other side of the Helmet Mount.



Attaching to a Non-Vented Helmet

1. Decide whether you want the camera mounted on the left or right side of your helmet. Mark the position on your helmet.
2. Remove the protective film from a Single Sided Adhesive Helmet Pad and attach it to your helmet directly under the mounting location of the Helmet Mount.
3. Remove the protective film from a Single Sided Adhesive Helmet Fitting Pad and attach it to the opposite side of your helmet. Note that the flat sides of the pad should be positioned horizontally.
4. Thread one end of the strap up through the one of the slots on the Helmet Fitting Piece then back to up through the locking side of the Strap Clip on the Helmet Mount assembly.
5. Position the Helmet Mount assembly over the attached Helmet Pad and the Helmet Fitting Piece over the Helmet Fitting Pad on the opposite side. Remove slack in the strap and lock the clip into place.
6. Repeat steps 4-5 for the other side of the strap.
7. The Helmet Mount assembly should now be somewhat loosely in place. Pull the straps and mounting pieces to get everything in the perfect position, then unlock one of the strap clips, pull the strap tight, and lock the clip into place. Repeat this tightening and adjusting process until the Helmet Mount is securely fixed to the helmet.



Final Adjustments

1. Once the Helmet Mount assembly is firmly attached to your helmet, slide the camera Mounting Clip into the Mounting Clip Shoe.
2. Loosen the nut on the ball joint assembly and aim the camera as desired.
3. Tighten the nut to lock the camera's position and orientation into place.