

Speaker Volume Controller With IR Repeater Slide type – PID#10221

Features

- Impedance matching supports up to 16 speaker pairs
- Supports up to 100 watts/channel at 8 ohms impedance
- Compatible with 12-22AWG speaker wire
- Slide type volume control with 12 steps
- Built-in single-band (38KHz ± 2KHz) IR repeater
- 2.71" (69mm) mounting depth

Package Contents

After receiving product, please inventory the contents to ensure you have all the proper parts, as listed below. If anything is missing or damaged, please contact Monoprice Customer Service for a replacement.

- 1x Slide type 100 watt/channel volume control
- 2x 3/4" screws
- 2x 1/8" screws
- 1x Interior plate
- 1x Outer plate
- 1x User's manual

Installation Instructions

*NOTE: The blue **INPUT L/R** and **OUTPUT L/R** speaker wire terminal blocks can be removed from the volume control unit, making it easier to make the speaker wire connections. To do so, pull straight out, away from the circuit board.*

1. Remove about 1/4" of insulation from the ends of all wires to be connected to the volume control. Twist the exposed wire to ensure no stray strands are sticking out of the bundle.
2. Connect the wires from the output of your amplifier to the **INPUT L/R** terminals on the volume controller. Ensure that the right and left channels are properly connected and that the + and - polarity is properly maintained. Tighten the screws firmly.
3. Connect the wires from your speakers to the **OUTPUT L/R** terminals on the volume controller. Ensure that the right and left channels are properly connected and that the + and - polarity is properly maintained. Tighten the screws firmly.
4. (Optional) To setup the volume control to relay IR remote control signals to the source device, perform the following steps:
 - 4a. Obtain a 12 VDC/500mA AC Adapter (not included) and cut off the DC barrel connector (if applicable). Remove about 1/4" insulation from the wires. Twist the exposed wires to ensure no stray strands are sticking out of the bundle.
 - 4b. Connect the positive wire from the 12VDC/500mA adapter to the **V+** terminal on the volume control. Connect the negative wire to the **G** (ground) terminal on the volume control.
 - 4c. Obtain an IR transmitter bulb (not included). Remove about 1/4" insulation from the wires. Twist the exposed

wires to ensure no stray strands are sticking out of the bundle.

4d. Connect the positive wire from the IR transmitter bulb to the **IR** terminal on the volume control. Connect the negative wire to the **G** (ground) terminal on the volume control.

5. Double-check all your connections. Ensure that no stray wires are sticking out.
6. Note the number or pairs and the impedance of the speakers connected to the volume control. Refer to the two jumper settings charts to determine the proper settings for the jumpers on the back of the volume control circuit board. Move the jumpers as required to match the needs of your system.
7. Insert the completed volume controller assembly into a low-voltage box (not included). Ensure that there is no strain on the wires and that the wires are still properly attached to the controller. Use the two long screws to secure the volume controller assembly to the low-voltage box.
8. Attach the interior plate to the volume controller assembly using the two short screws. Snap the outer plate into place on top of the interior plate.
9. (Optional) If step 4 above was performed to setup the IR repeater functionality, plug the 12VDC/500mA adapter into a wall outlet to provide power to the volume control unit's IR receiver.

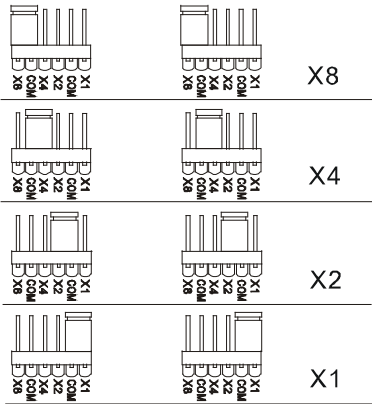
10. (Optional) If step 4 above was performed to setup the IR repeater functionality, position the IR transmitter bulb so that it can "see" the IR sensor on the AV receiver/amplifier (or whichever component you intend to control from the remote location).

Impedance jumper settings to maintain an 8 ohm load				
SPEAKER OHMS (Ω)	1X	2X	4X	8X
8	1 PAIR	2 PAIR	4 PAIR	8 PAIR
4	-	1 PAIR	2 PAIR	4 PAIR

Impedance jumper settings to maintain a 4 ohm load				
SPEAKER OHMS (Ω)	1X	2X	4X	8X
8	2 PAIR	4 PAIR	8 PAIR	16 PAIR
4	1 PAIR	2 PAIR	4 PAIR	8 PAIR

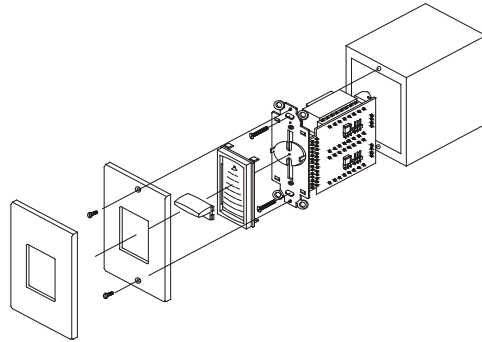
Note: Multiple pairs of speakers should be connected in parallel.

Jumper settings

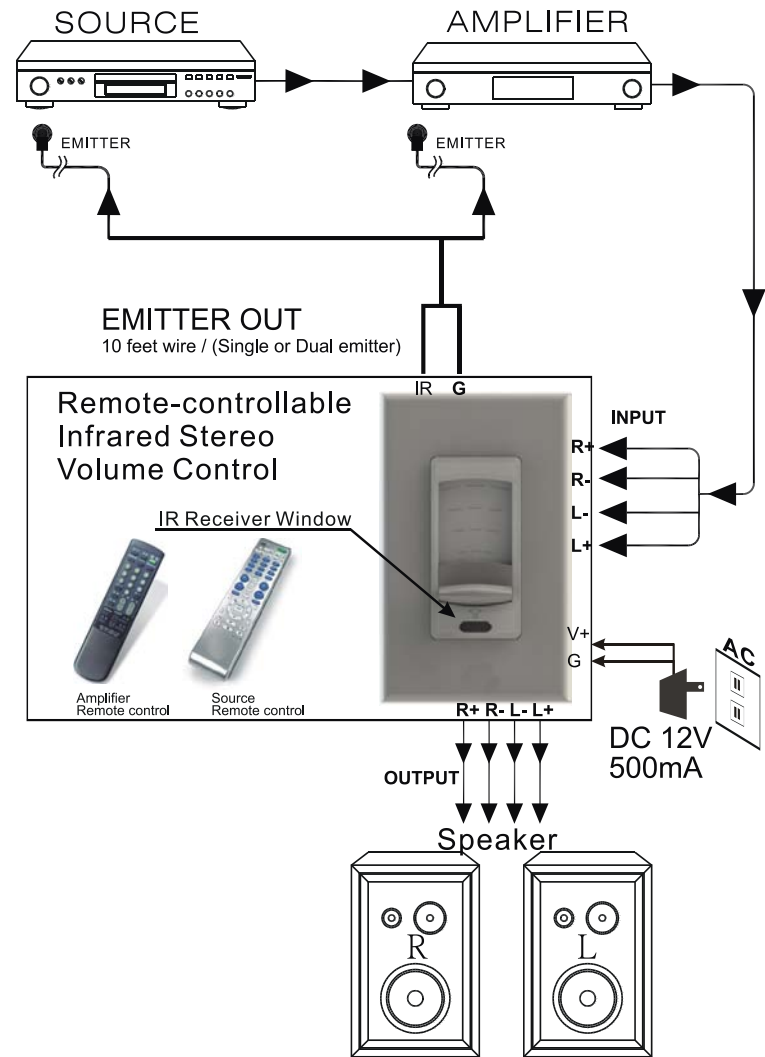


Assembly diagram

Mounting depth : 2.71" (69mm) from finished wall.



Connection diagram



***Speaker Volume Control
with Infrared Repeater***

Slide type – PID#10221



USER'S MANUAL