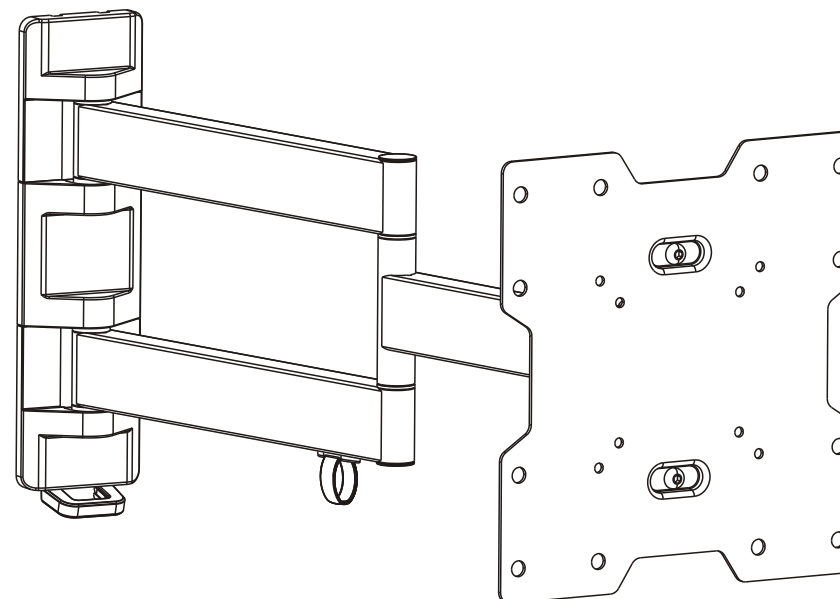


MONOPRICE®

INSTALLATION MANUAL

# Full Motion LED, LCD TV Wall Mount

LDA07-223L



**CAUTION:** DO NOT EXCEED RATED LISTED WEIGHT. SERIOUS INJURY OR PROPERTY DAMAGE MAY OCCUR!

PID:10476



75x75/100x100  
200x100/200x200

42"  
FITS MOST



ISSUED: 20th MAY. 2013

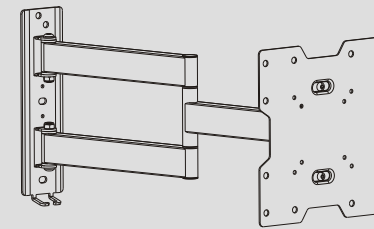
**NOTE: Read the entire instruction manual before you start installation and assembly.**

## WARNING

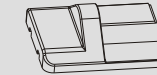
- Do not begin the installation until you have read and understood all the instructions and warnings contained in this installation sheet. If you have any questions regarding any of these instructions or warnings, please contact Monoprice Technical Support.
- This mounting bracket was designed to be installed and used **ONLY** as specified in this manual. Improper installation of this product may cause damage or serious injury.
- This product should only be installed by someone who has a good mechanical sense, basic building/construction experience, and who fully understands this manual.
- Make sure that the supporting surface will safely support the combined weight of the equipment and all attached hardware and components.
- If mounting to a wooden joist, make sure that the mounting screws are anchored into the center of the studs. The use of a stud finder is highly recommended.
- Always use an assistant or mechanical lifting equipment to safely lift and position the equipment.
- Tighten screws firmly, but do not over tighten. Over tightening can cause damage to the screws or screw holes, greatly reducing their ability to hold a load.
- This product is intended for indoor use only. Using this product outdoors could lead to product failure and personal injury.

## Component Checklist

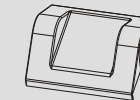
**IMPORTANT:** Please inventory the package contents to ensure you have all the proper parts, as listed below. If anything is missing or damaged, please contact Monoprice Customer Service for a replacement.



articulated arm assembly  
A



decorative cover (x2)  
B



middle decorative cover (x1)  
C



wall template (x1)  
D



cable cover (x1)  
E



cable dip (x1)  
F



M4 (x1)  
G

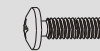


Allen Key (x1)  
H

### Package M



M4x14 (x4)  
M-A



M5x14 (x4)  
M-B



M6x14 (x4)  
M-C



M8x20 (x4)  
M-D



D5 washer (x4)  
M-E



D8 washer (x4)  
M-F



small spacer (x8)  
M-G

### Package W



ST6.3x55 (x4)  
W-A

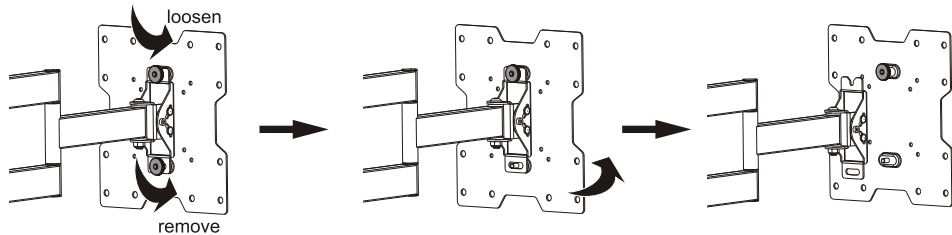


concrete anchor (x4)  
W-B

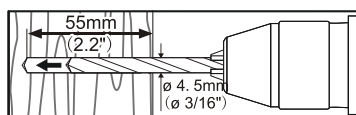
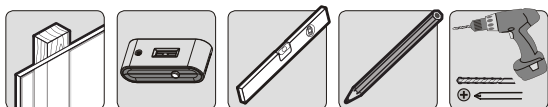


D6 washer (x4)  
W-C

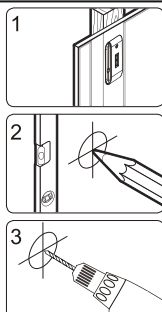
## 1. Separating the VESA Plate from the Wall Mount



## 2a. For Wood Stud Wall Mounting

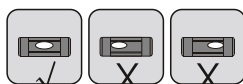


Find and mark the exact location of mounting holes

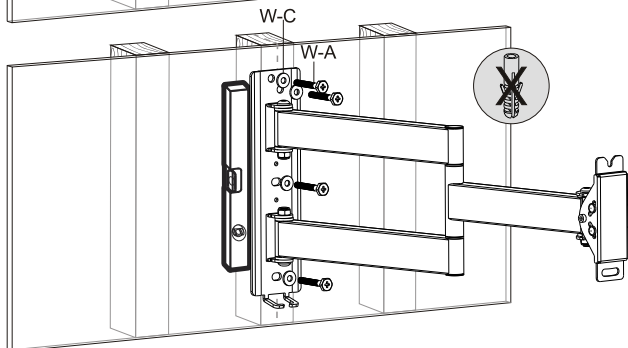
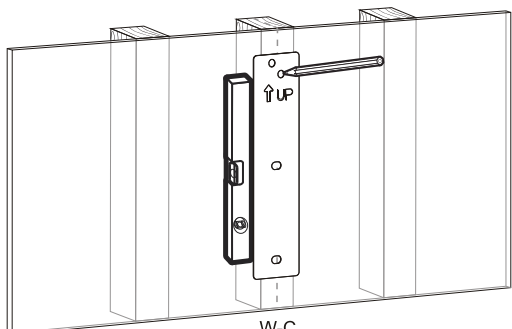


With the arrow pointing up.

Drill pilot holes



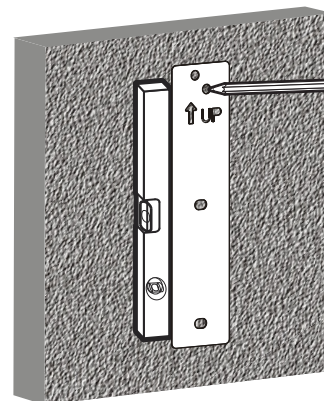
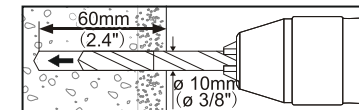
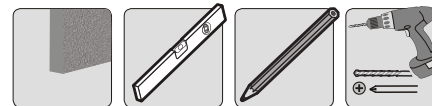
Screw the wall mount onto the wall



## ⚠ WARNING

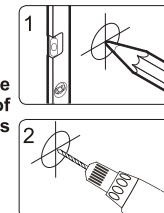
- Make sure that the mounting screws are anchored into the center of the studs. The use of a stud finder is highly recommended.
- Installers are responsible for providing any hardware needed for other types of mounting situations.
- Installers must verify that the supporting surface will safely support the combined weight of the equipment and all attached hardware and components.

## 2b. Concrete Mounting

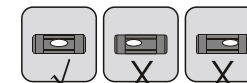


With the arrow pointing up.

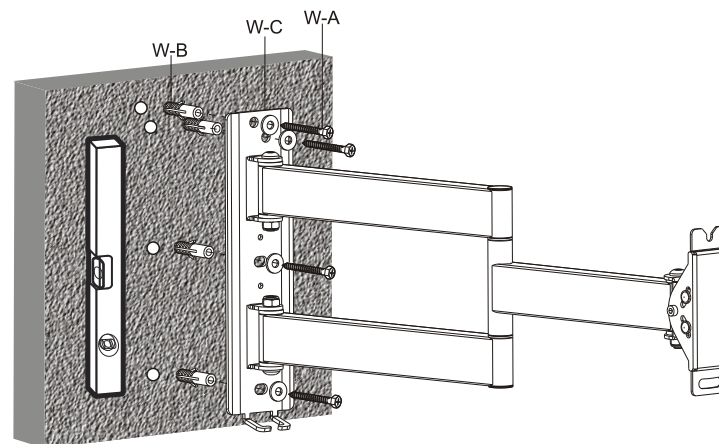
Mark the exact location of mounting holes



Drill pilot holes



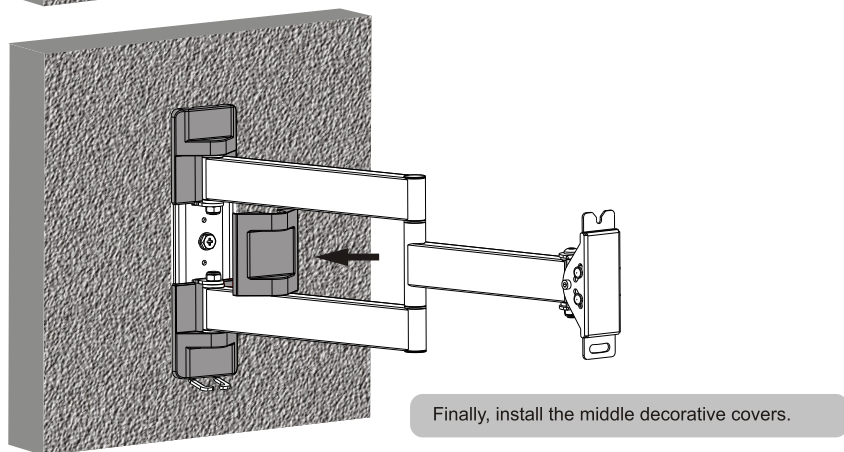
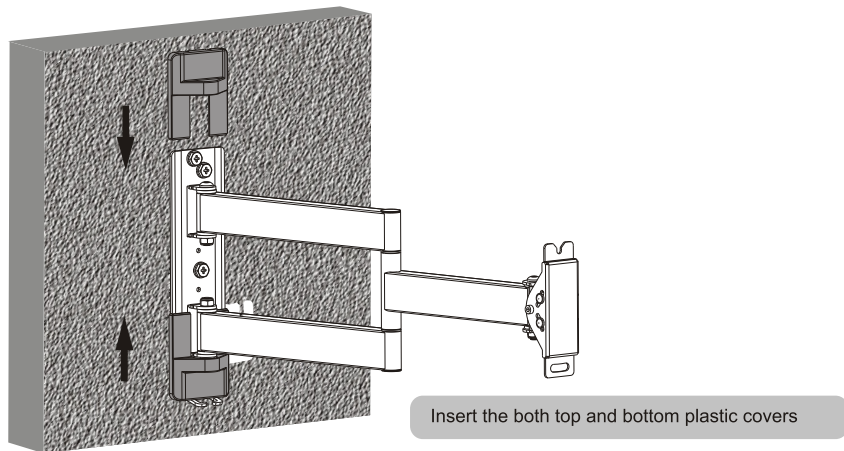
Screw the wall mount onto the wall



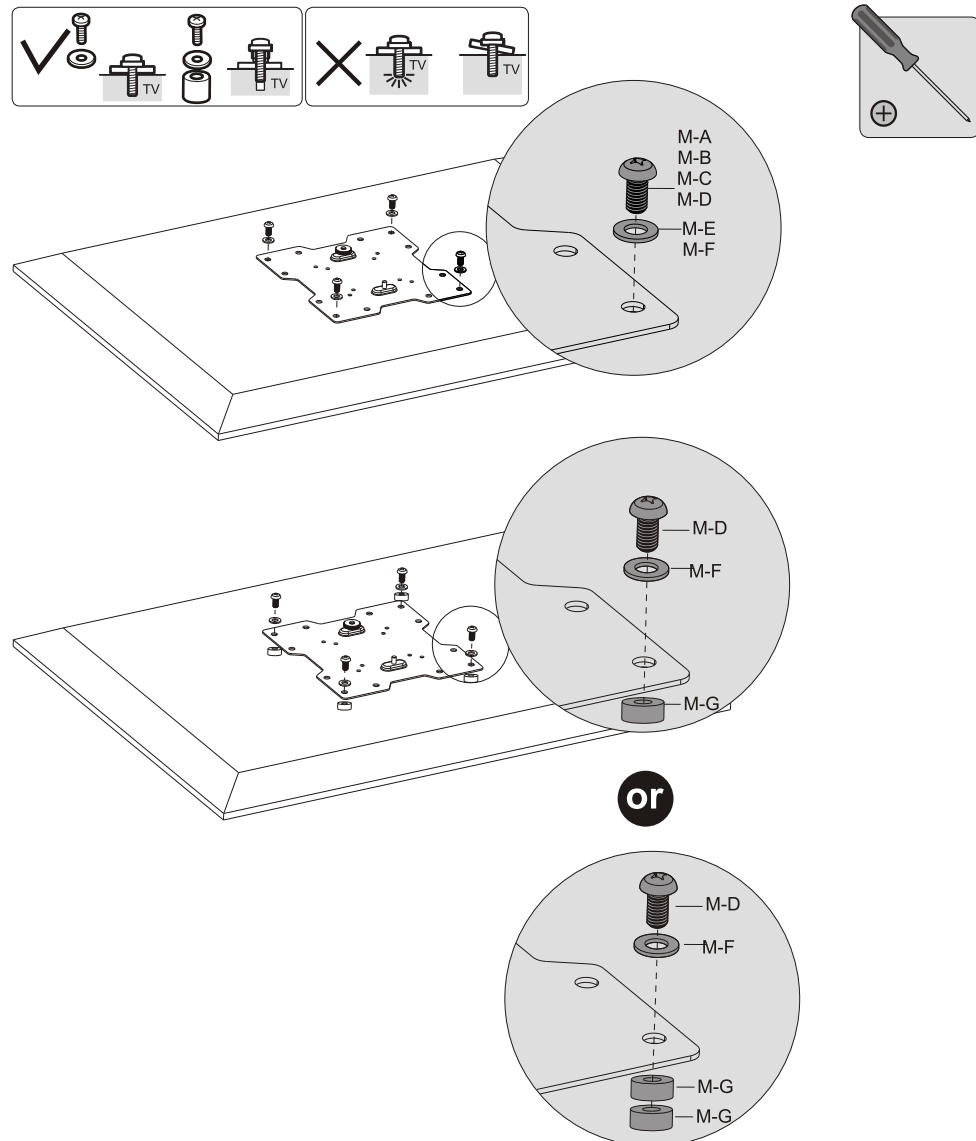
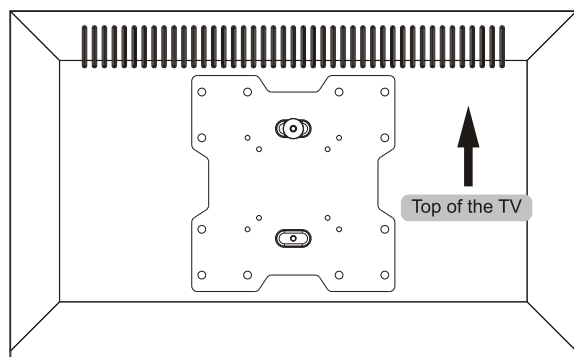
## ⚠ WARNING

Installers must verify that the supporting surface will safely support the combined weight of the equipment and all attached hardware and components.

### 3. Installing the Decorative Covers



### 4. Installing the VESA Plate

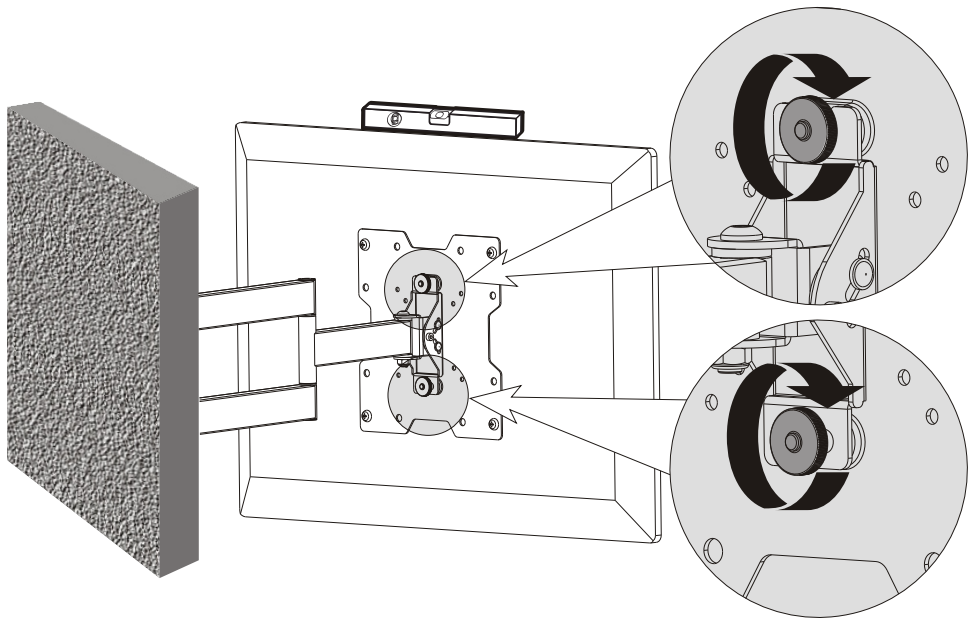
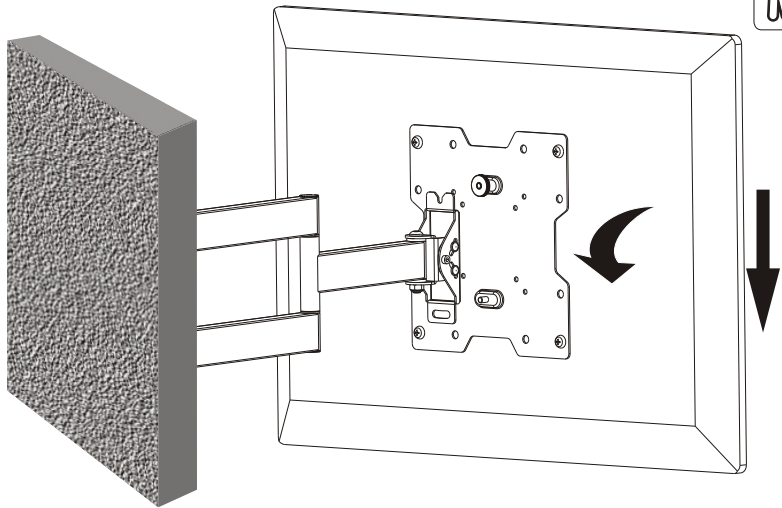
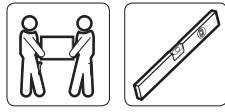


**Note:** Choose the appropriate screws, washers and spacers (if necessary) according to the type of screen.

- Screw the VESA plate onto the TV.

**⚠ Tighten all screws but do not over tighten.**

## 5. Hooking the TV onto the Wall Mount

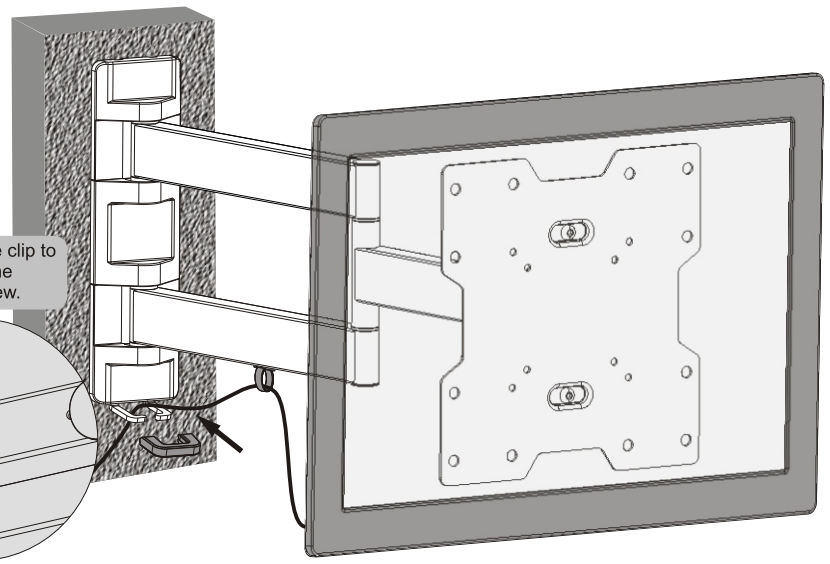
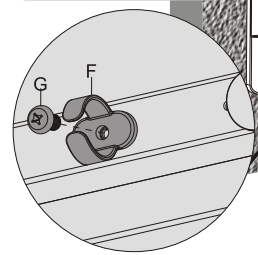


- Level the TV.
- Place the lower thumbscrew; Tighten both thumbscrews.

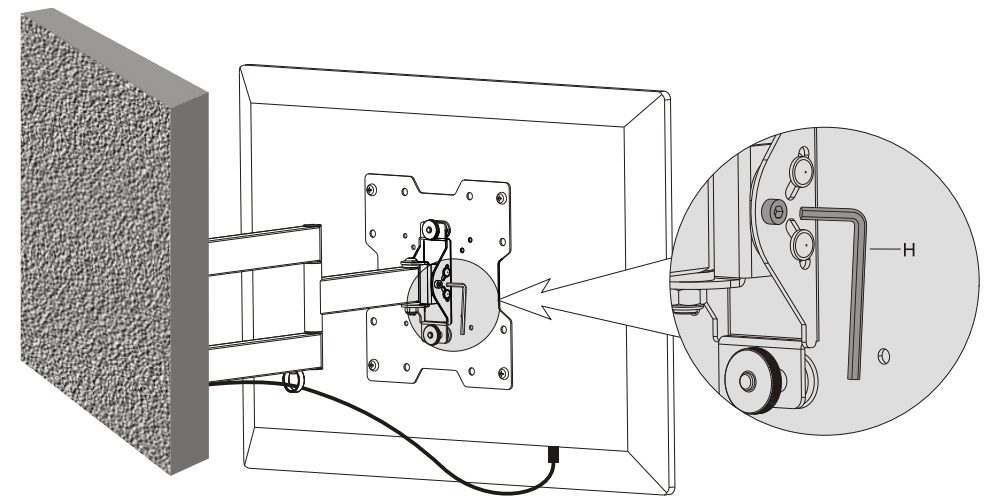
## 6. Cable Management



Attach the cable clip to the arm using the appropriate screw.

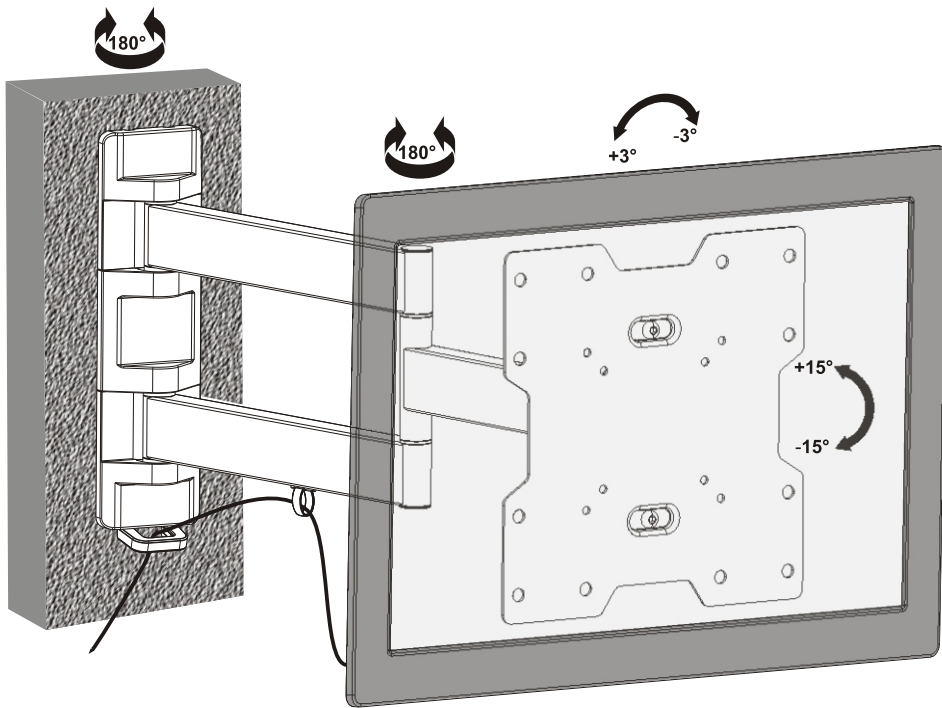


Connect the cables to your TV and route the cables through the cable clip, then attach the cable cover to hold the cable in place.  
**Note: Leave slack in the cable for cantilever arm movement.**



It is necessary to slightly loosen or tighten the adjustment screw using a supplied Allen key according to the weight of display installed.

## 7. Adjustment



Adjust to the desired position or tilt.

### Maintenance

- Check that the bracket is secure and safe to use at regular intervals (at least every three months).
- If you have any questions, please contact Monoprice Technical Support for assistance.