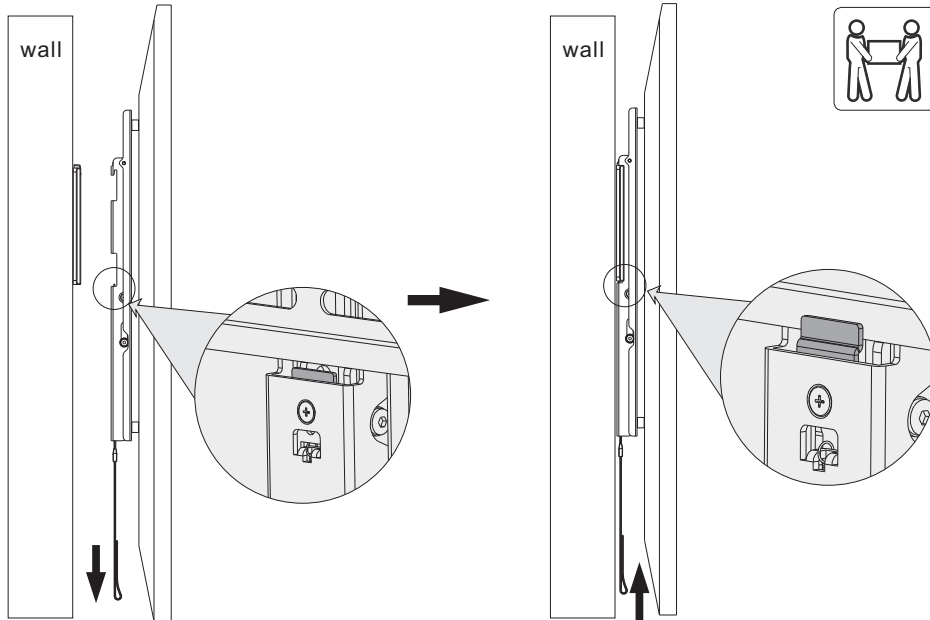
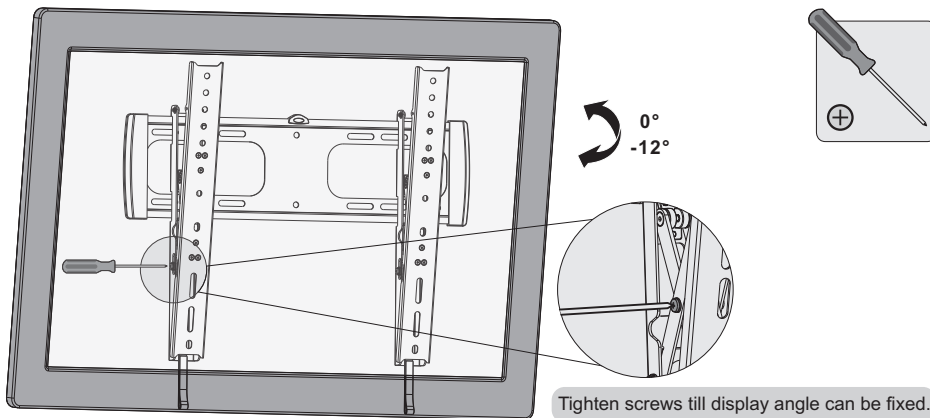


4. Hooking the Display onto the Wall Plate



Pull downward two safety straps at the same time then slowly release the straps to lock the adapter brackets.

5. Adjustment

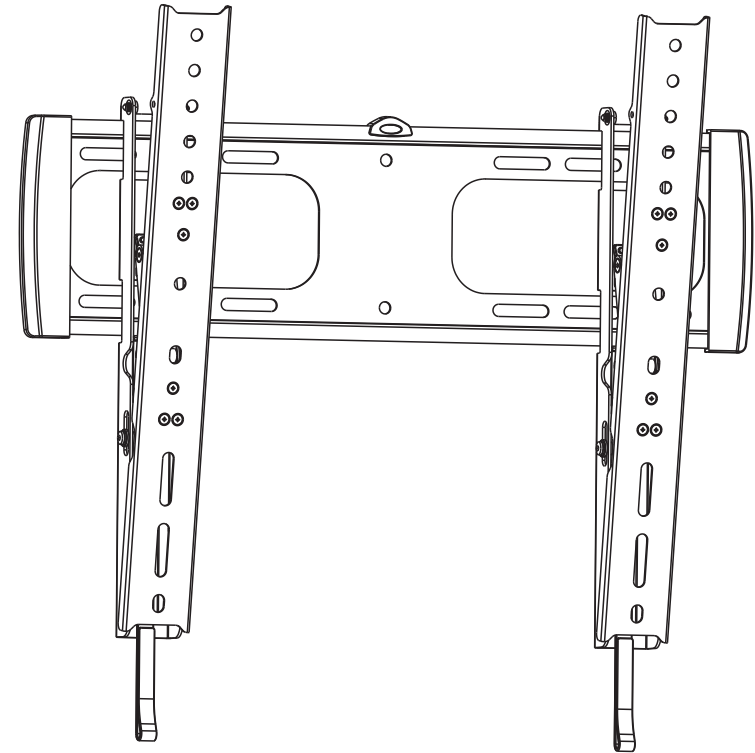


Tighten screws till display angle can be fixed.

Maintenance

- Check that the bracket is secure and safe to use at regular intervals(at least every three months).
- Please contact your distributor if you have any questions.

Tilting Wall Mount



CAUTION: DO NOT EXCEED RATED LISTED WEIGHT. SERIOUS INJURY OR PROPERTY DAMAGE MAY OCCUR!

**PID:10486
LP27-44T**



200x200/400x200
300x300/400x400



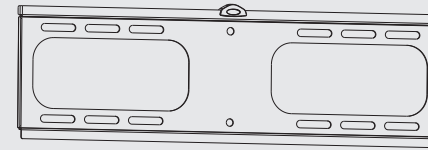
NOTE: Read the entire instruction manual before you start installation and assembly.

WARNING

- Do not begin the installation until you have read and understood all the instructions and warnings contained in this installation sheet. If you have any questions regarding any of the instructions or warnings, please contact your local distributor.
- This mounting bracket was designed to be installed and utilised **ONLY** as specified in this manual. Improper installation of this product may cause damage or serious injury.
- This product should only be installed by someone with good mechanical ability who has basic building experience and fully understands this manual.
- Make sure that the supporting surface will safely support the combined weight of the equipment and all attached hardware and components.
- If mounting to wood wall studs, make sure that mounting screws are anchored into the center of the studs. The use of a stud finder is highly recommended.
- Always use an assistant or mechanical lifting equipment to safely lift and position the equipment.
- Tighten screws firmly, but do not over tighten. Over tightening can cause damage to the items, This greatly reduces their holding power.
- This product is intended for indoor use only. Using this product outdoors could lead to product failure and personal injury.

Component Checklist

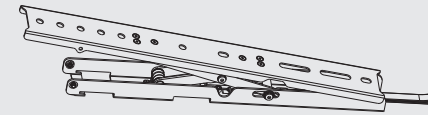
IMPORTANT: Ensure that you have received all parts according to the component checklist prior to installation. If any parts are missing or faulty, telephone your local distributor for a replacement.



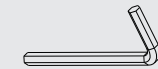
wall plate (x1)
A



decorative cover (x2)
C

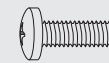


adapter bracket (x2)
B

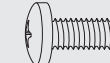


3mm Allen key (x1)
D

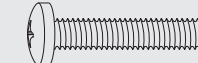
Package M



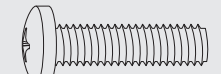
M5x14 (x4)
M-A



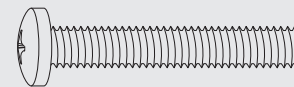
M6x14 (x4)
M-B



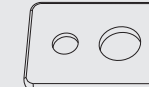
M6x30 (x4)
M-C



M8x30 (x4)
M-D



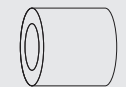
M8x50 (x4)
M-E



M-F (x4)

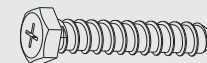


M-G (x8)

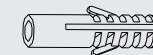


M-H (x8)

Package W



ST6.3x55 (x4)
W-A

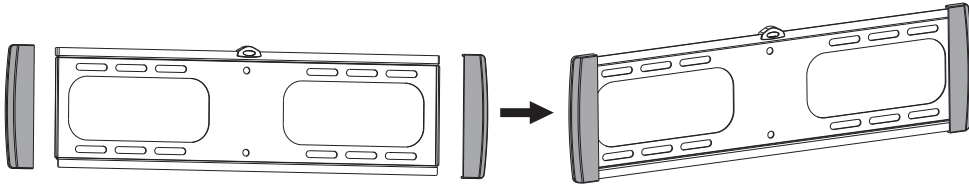


concrete anchor (x4)
W-B

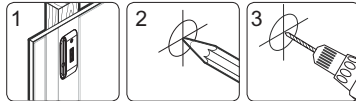
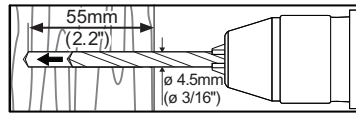
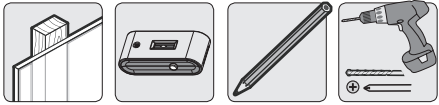


D6 washer (x4)
W-C

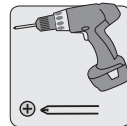
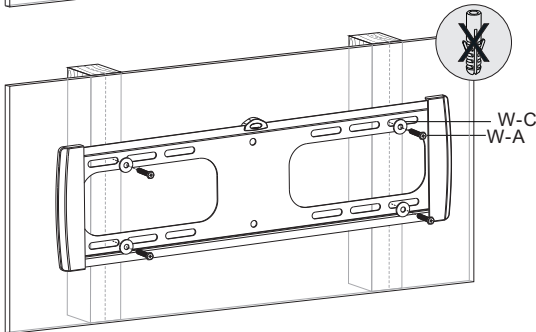
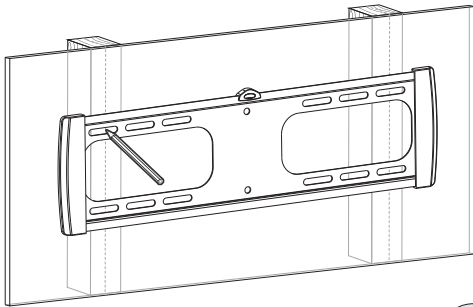
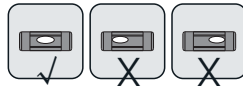
1. Installing the Decorative Covers



2a. For Wood Stud Wall Mounting



Find and mark the exact location of mounting holes



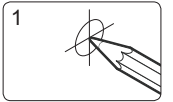
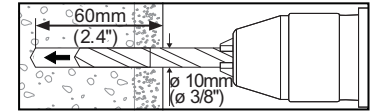
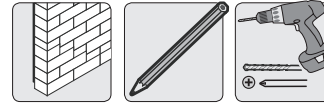
Screw the wall plate onto the wall

Model	Stud	406mm (16")	450mm (17.7")	600mm (23.6")	610mm (24")
PID:10486		✓	✓	X	X
LP27-44T		✓	✓	X	X

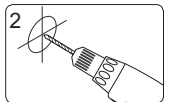
⚠ WARNING

- Make sure that mounting screws are anchored into the center of the studs. The use of a stud finder is highly recommended.
- Installers are responsible to provide hardware for other types of mounting situations.
- Installers must verify that the supporting surface will safely support the combined weight of the equipment and all attached hardware and components.

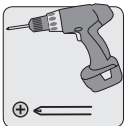
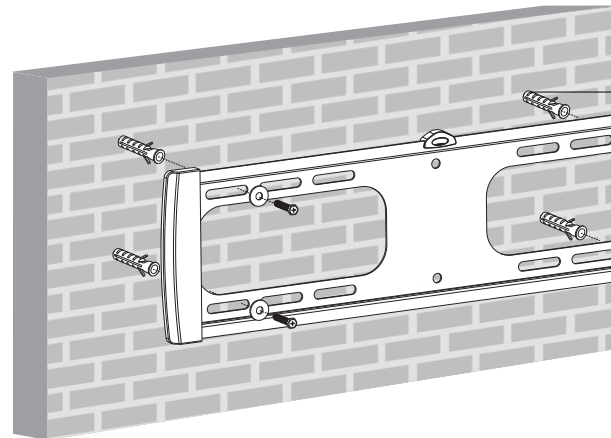
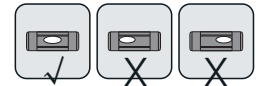
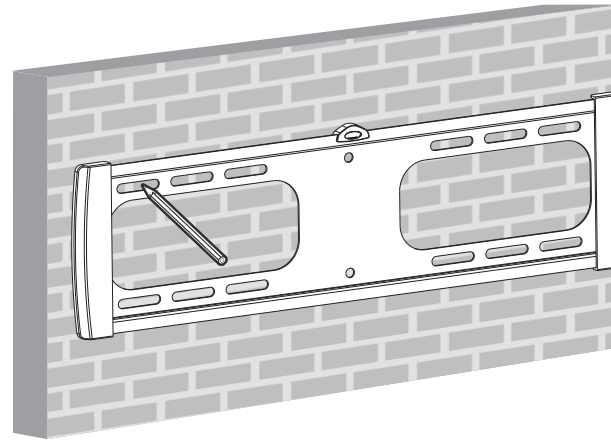
2b. For Solid Brick and Concrete Mounting



Mark the exact location of mounting holes



Drill pilot holes

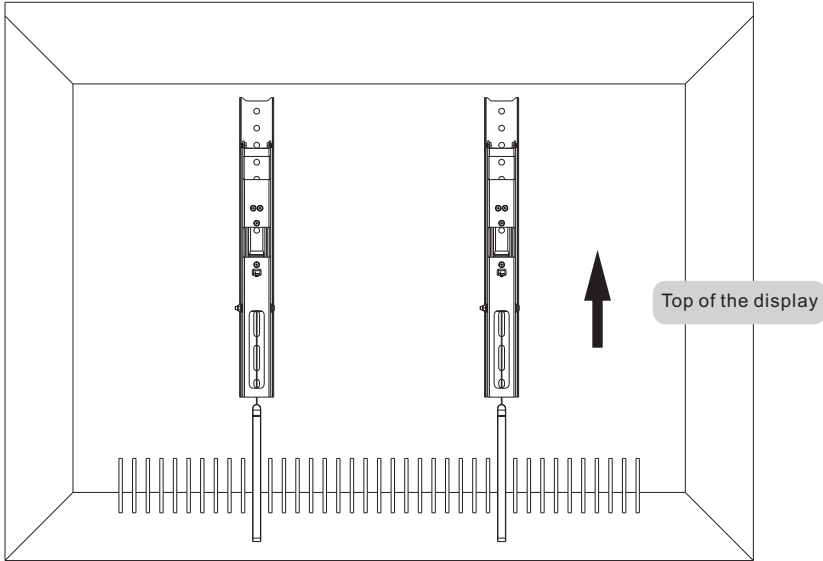


Screw the wall plate onto the wall

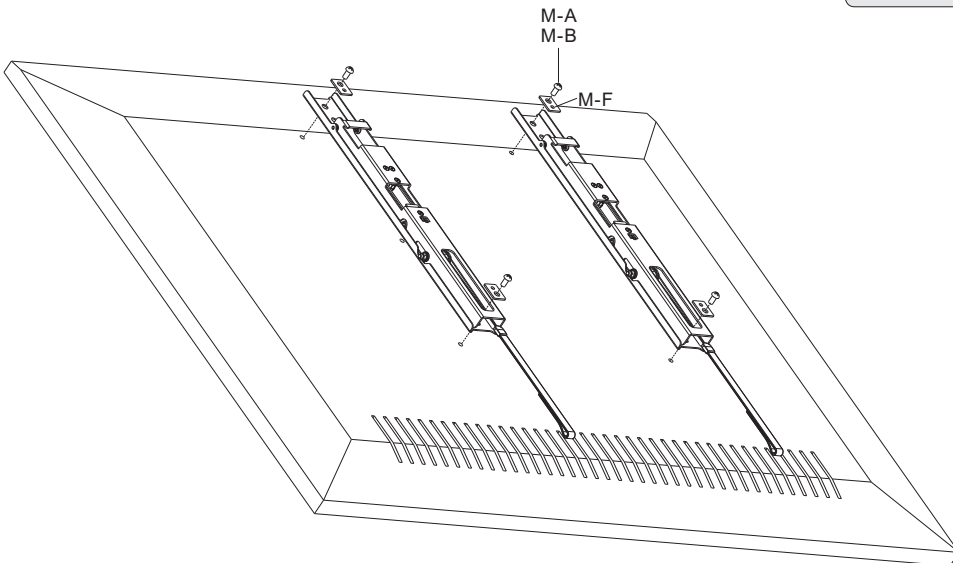
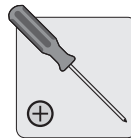
⚠ WARNING

Installers must verify that the supporting surface will safely support the combined weight of the equipment and all attached hardware and components.

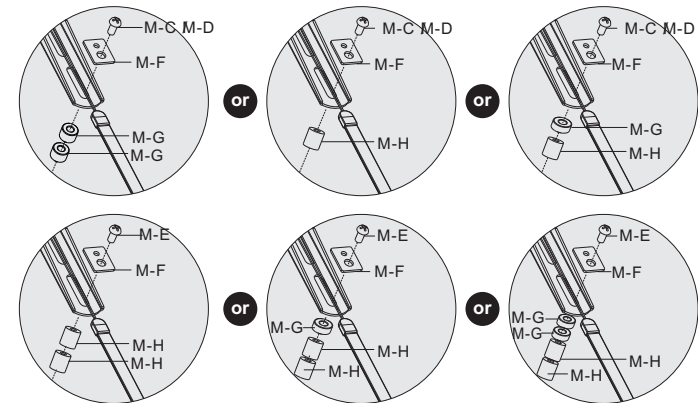
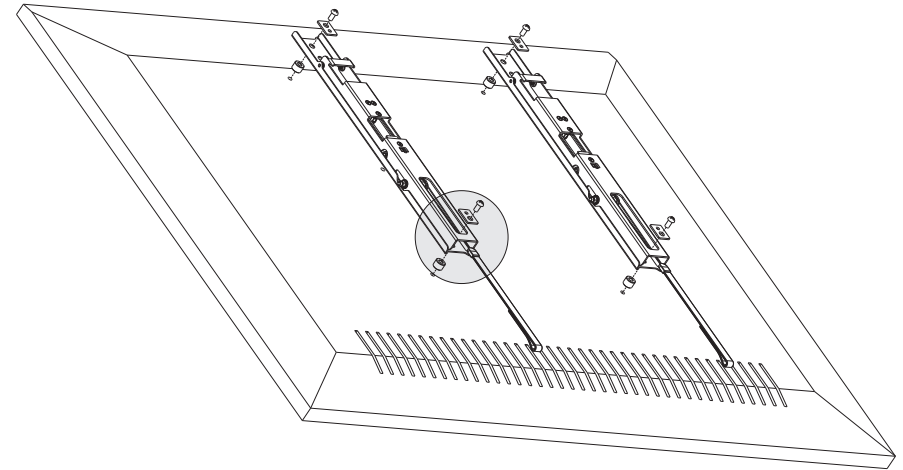
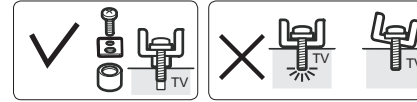
3. Installing the Adapter Brackets



3a For Flat Back Screens



3b For Recessed Back Screens or to Access A/V Inputs



Note: Choose the appropriate screws, washers and spacers (if necessary) according to the type of screen.

- Position the adapter brackets as close as possible to the center of the display.
- Screw the adapter brackets onto the display.

⚠ Tighten all screws but do not over tighten.