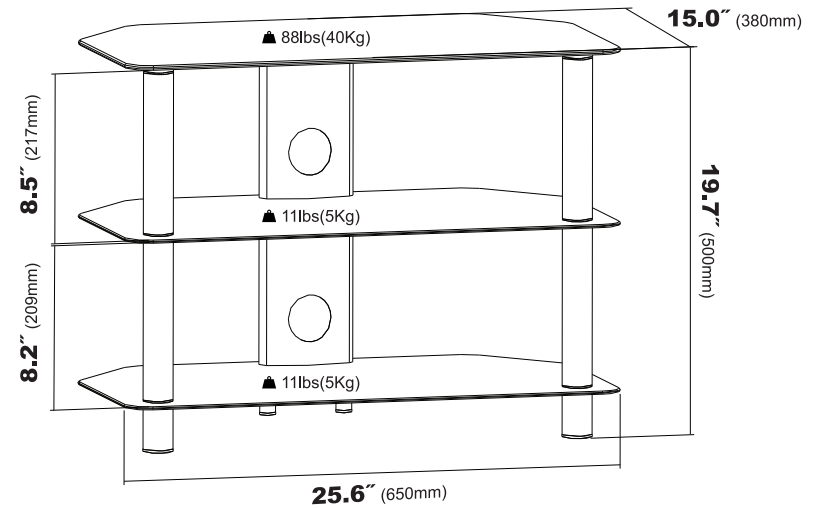


MONOPRICE®

High Quality TV Stand

for Flat Panel TVs Up to 32" Inches



Assembled Dimensions

PRODUCT PID
10902

NET WEIGHT



GROSS WEIGHT

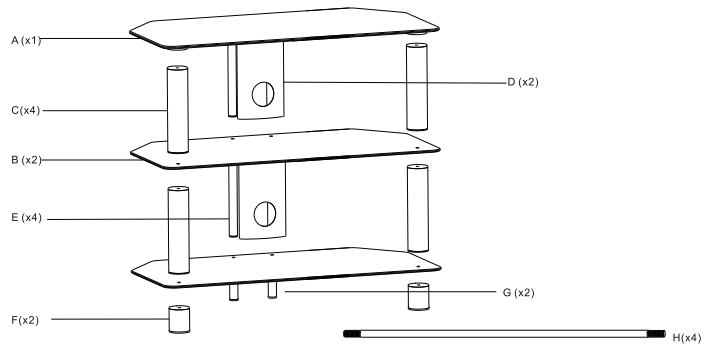
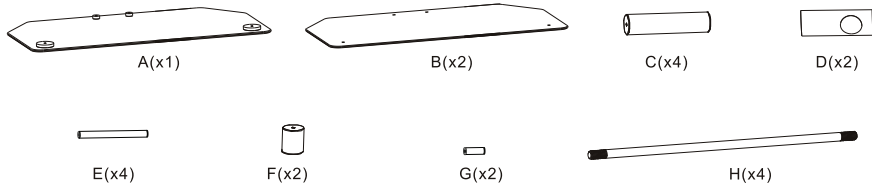


PRODUCT SIZE LXWXH

25.6in x 15.0in x 19.7in
(650mm x 380mm x 500mm)

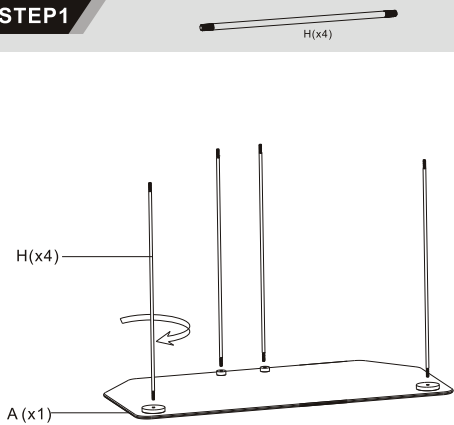
Thank you for purchasing the Monoprice 10902 TV Stand!

Please take an inventory of the package contents to ensure you have all the items listed below. If anything is missing or damaged, please contact Monoprice Customer Service for a replacement.



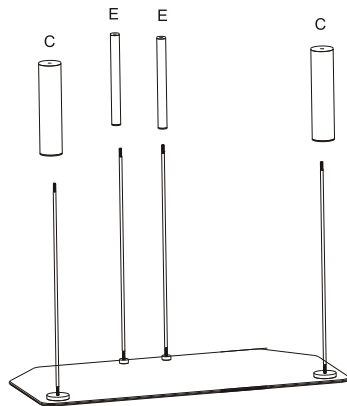
For best results, assemble the TV stand on a soft blanket or towel to protect the finish while it is being assembled.

STEP 1



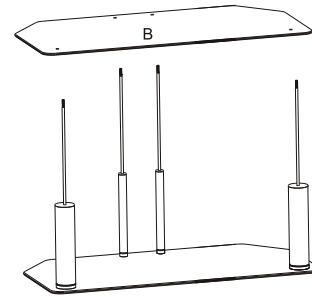
Place the Top Shelf (A) upside down on top of a soft blanket or towel. Screw the four Threaded Rods (H) into the sockets on the bottom of the top shelf, as shown above. Twist to tighten, but do not overtighten.

STEP 2



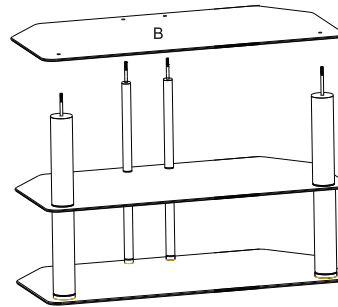
Slide two of the Spacers (C) over the outer Threaded Rods (H) and two of the Spacers (E) over the inner Threaded Rods (H), as shown above.

STEP 3



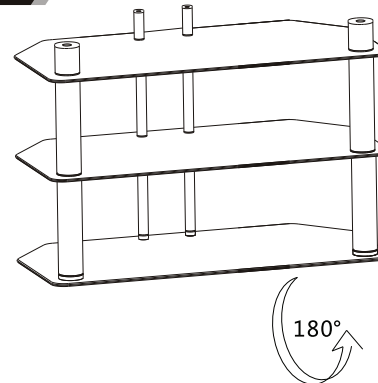
Slide a Lower Shelf (B) over the four Threaded Rods (H) until it rests on the four Spacers (C and E), as shown above. Make sure that the dull side is up, so that the finished side is on top when the final assembly is inverted for use.

STEP 5



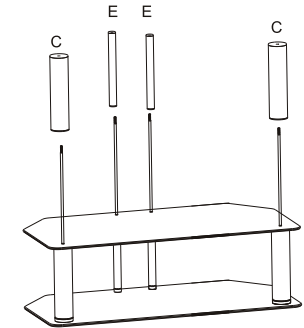
Slide a Lower Shelf (B) over the four Threaded Rods (H) until it rests on the four Spacers (C and E), as shown above. Make sure that the dull side is up, so that the finished side is on top when the final assembly is inverted for use.

STEP 7



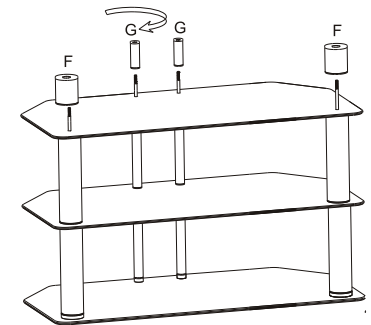
With the help of an assistant, lift the assembled TV Stand off the floor, invert it, and set it back down on its feet.

STEP 4



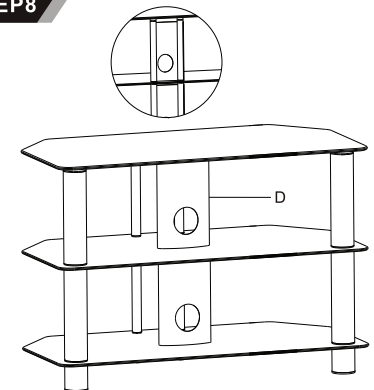
Slide two of the Spacers (C) over the outer Threaded Rods (H) and two of the Spacers (E) over the inner Threaded Rods (H), as shown above.

STEP 6



Screw the two Feet (F) onto the outer Threaded Rods (H). Screw the two Feet (G) onto the inner Threaded Rods (H). Twist to tighten, but do not overtighten.

STEP 8



Snap each of the two Cable Access Panels (D) to the back of the inner Spacers (E), as shown above. Congratulations, your new TV Stand is now ready for use!