

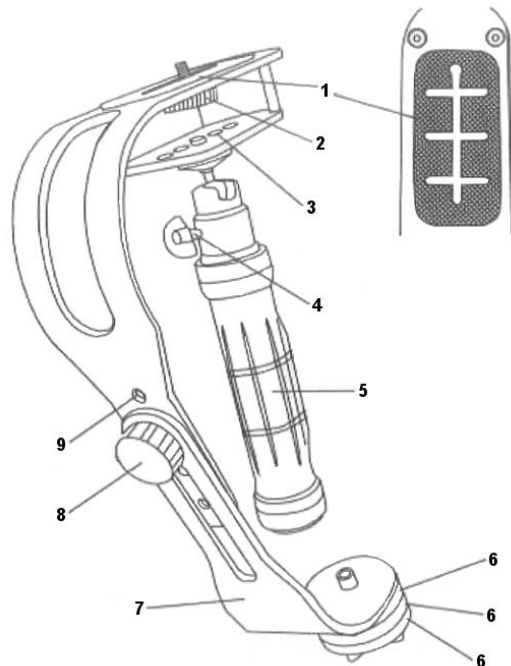
MONOPRICE

Camera Stabilizer

PID 12276

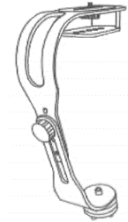
User's Manual

1. Camera mounting position with anti-slip rubber pad
2. 1/4"x20 screw mount
3. Handle mounting holes with one 1/4"x20 thread adapter
4. Handle ball-joint locking screw
5. Handle
6. Counterweights (x3)
7. Weight base
8. 1/4"x20 frame mounting screw
9. 1/4"x20 frame mounting hole

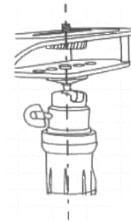


INSTALLATION

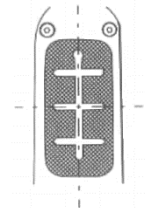
1. Loosen the **Frame Mounting Screw**.
2. Swing the **Weight Base** down so that it is positioned underneath the frame, as shown in the image to the right.
3. Tighten the **Frame Mounting Screw**.



4. Screw the **Handle** into the 1/4"x20 adapter installed in the center Handle Mounting Hole, as shown in the image to the right.



5. Attach your camera to the **1/4"x20 Screw Mount** in the centermost position on the top of frame, as shown in the image to the right.



BALANCE ADJUSTMENT

Perform the following steps to balance and stabilize your camera. Hold the handle firmly and allow the assembly to stabilize for several seconds after each stage before making further adjustments. Do not worry about getting absolute balance at each stage and make only small adjustments as you zero in on the center of gravity.

1. Front and Back: If the stabilizer leans forward, move the camera back on the frame. If the stabilizer leans backward, move the camera forward on the frame.
2. Left and Right: If the stabilizer leans to the left, move the camera to the right on the frame. If the stabilizer leans to the right, move the camera to the left.
3. Repeat steps 1-2 until the assembly is as close to balanced as you can get with just these two adjustments. If you cannot get it close to balanced, try moving the **Weight Base** up and down on the frame, by leaning the **Weight Base** left or right, and/or by removing or adding weights.

You can also adjust the position of the handle on the frame by removing the handle and the 1/4"x20 screw adapter, moving the adapter to a different hole, and then reinstalling the handle.

4. Repeat the above steps until the system is balanced.