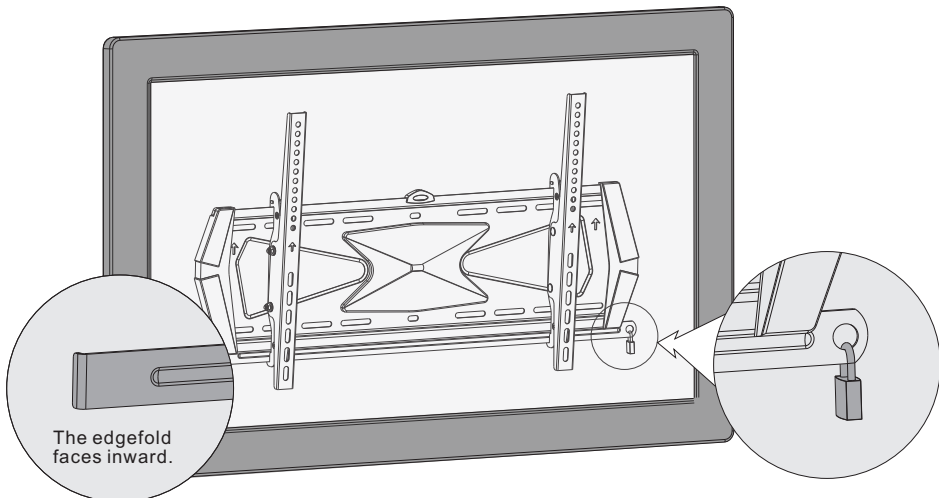


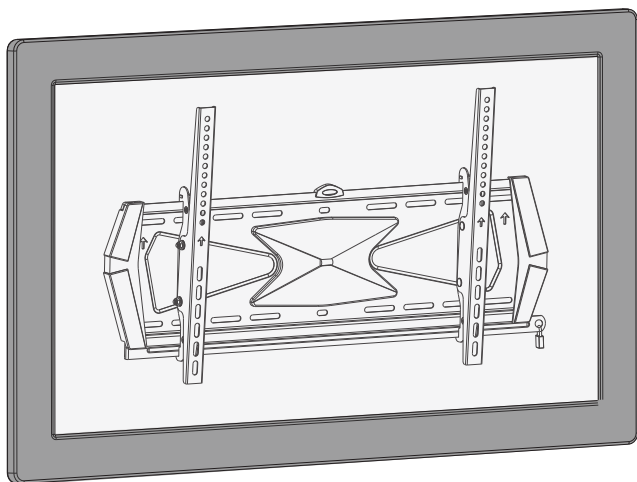
# Tilting Wall Mount



The edgefold faces inward.

- Insert the safety bar to secure the rails.
- Use the padlock to prevent display from being stolen. (Padlock is not included)

## 5. Adjustment

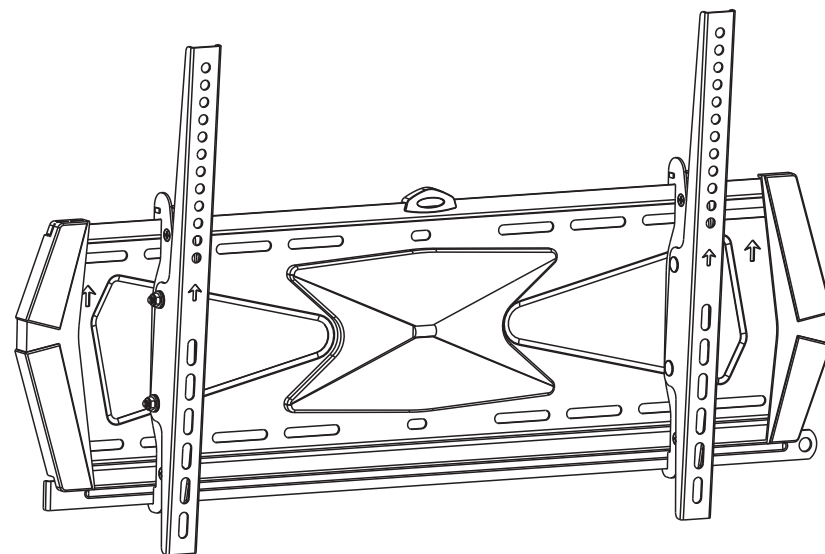


+5°  
-10°

Push or pull from the top or bottom of the screen to obtain the desired angle.

### Maintenance

- Check that the bracket is secure and safe to use at regular intervals (at least every three months).
- Please contact your distributor if you have any questions.



**CAUTION:** DO NOT EXCEED RATED LISTED WEIGHT. SERIOUS INJURY OR PROPERTY DAMAGE MAY OCCUR!

PID:12989  
LP29-46T



300x300/400x200  
400x400/600x400



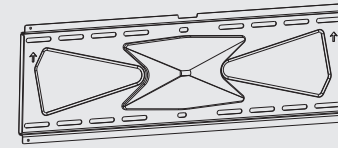
**NOTE:** Read the entire instruction manual before you start installation and assembly.

## ⚠ WARNING

- Do not begin the installation until you have read and understood all the instructions and warnings contained in this installation sheet. If you have any questions regarding any of the instructions or warnings, please contact your local distributor.
- This mounting bracket was designed to be installed and utilised **ONLY** as specified in this manual. Improper installation of this product may cause damage or serious injury.
- This product should only be installed by someone with good mechanical ability who has basic building experience and fully understands this manual.
- Make sure that the supporting surface will safely support the combined weight of the equipment and all attached hardware and components.
- If mounting to wood wall studs, make sure that mounting screws are anchored into the center of the studs. The use of a stud finder is highly recommended.
- Always use an assistant or mechanical lifting equipment to safely lift and position the equipment.
- Tighten screws firmly, but do not over tighten. Over tightening can cause damage to the items, This greatly reduces their holding power.
- This product is intended for indoor use only. Using this product outdoors could lead to product failure and personal injury.

## Component Checklist

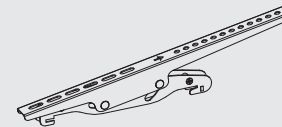
**IMPORTANT:** Ensure that you have received all parts according to the component checklist prior to installation. If any parts are missing or faulty, telephone your local distributor for a replacement.



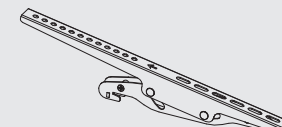
wall mount(x1)  
A



safety bar(x1)  
B



left adapter bracket(x1)  
C



right adapter bracket(x1)  
D



bubble level(x1)  
E

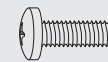


decorative cover(x2)  
F

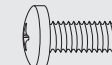


ST2.9\*6.5(x4)  
G

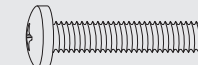
### Package M



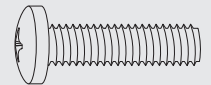
M5x14 (x4)  
M-A



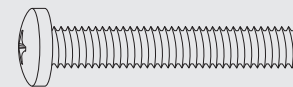
M6x14 (x4)  
M-B



M6x30 (x4)  
M-C



M8x30 (x4)  
M-D



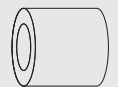
M8x50 (x4)  
M-E



M-F (x4)

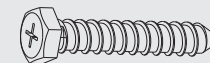


M-G (x8)

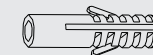


M-H (x8)

### Package W



ST6.3x55 (x6)  
W-A

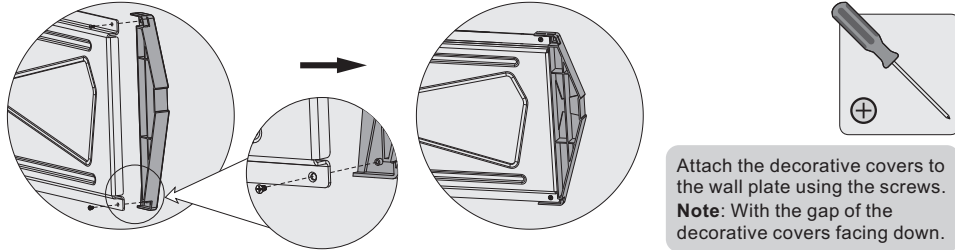


concrete anchor (x6)  
W-B



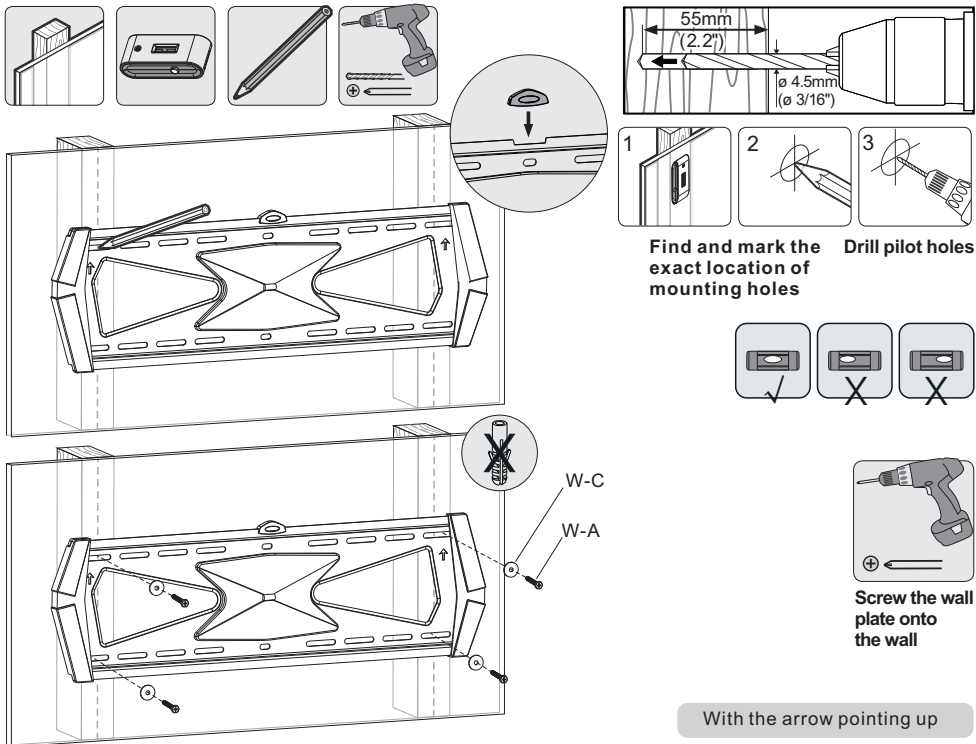
D6 washer (x6)  
W-C

## 1. Installing the Decorative Covers



Attach the decorative covers to the wall plate using the screws.  
**Note:** With the gap of the decorative covers facing down.

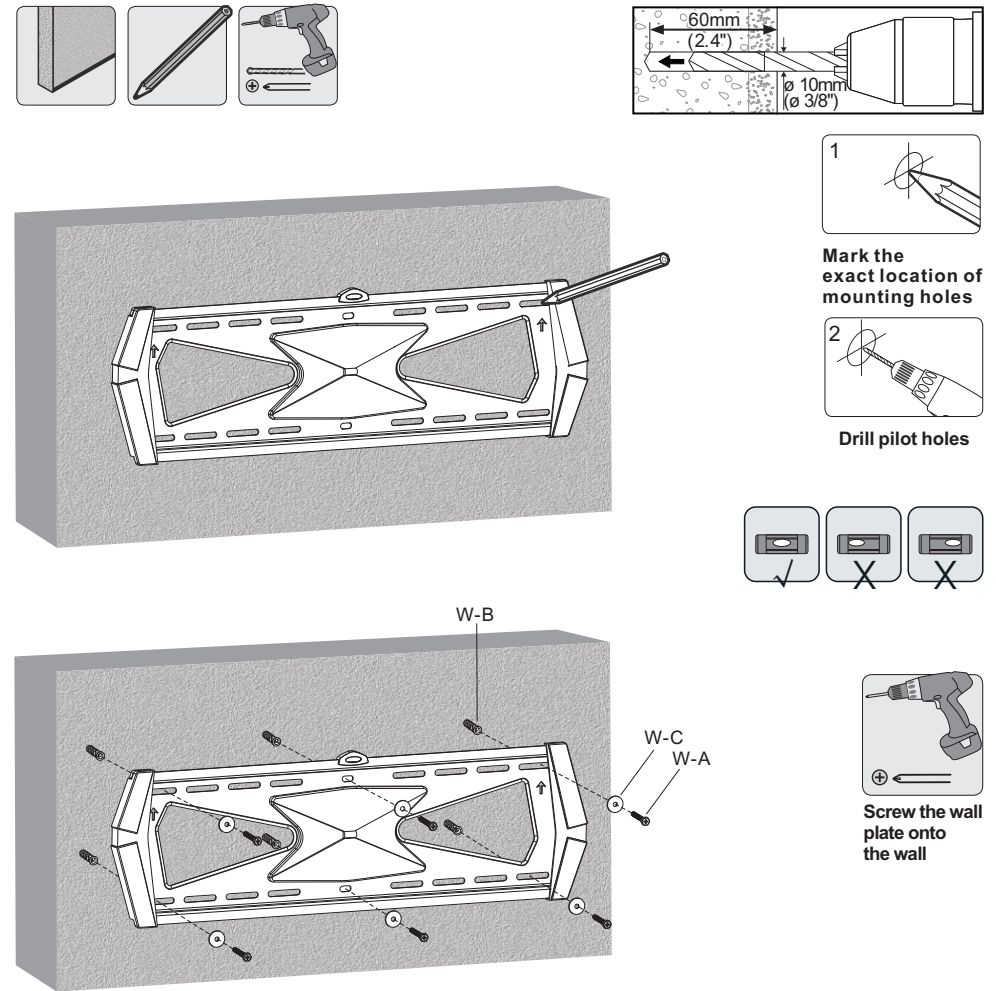
## 2a. For Wood Stud Wall Mounting



### ⚠ WARNING

- Make sure that mounting screws are anchored into the center of the studs. The use of a stud finder is highly recommended.
- Installers are responsible to provide hardware for other types of mounting situations.
- Installers must verify that the supporting surface will safely support the combined weight of the equipment and all attached hardware and components.

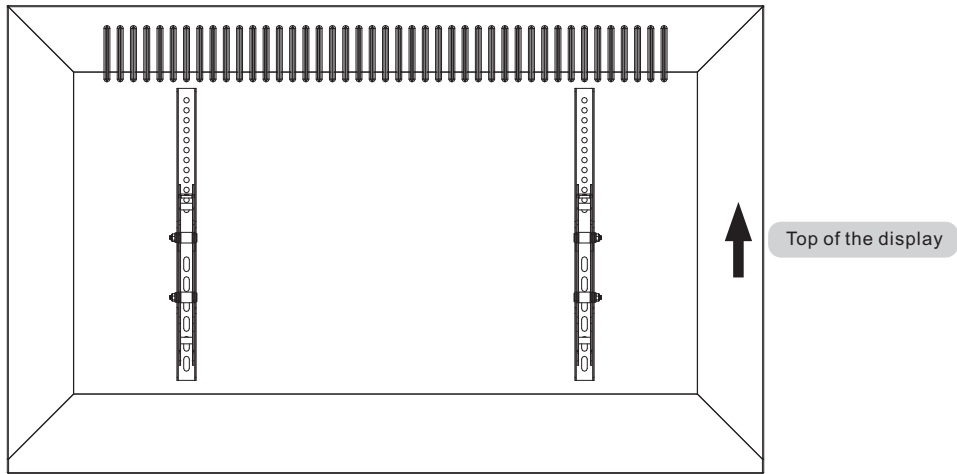
## 2b. For Solid Brick and Concrete Mounting



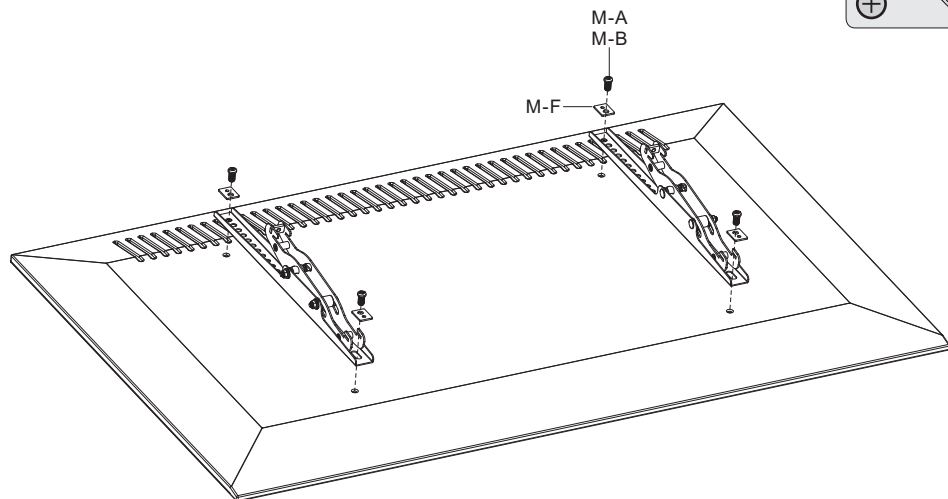
### ⚠ WARNING

Installers must verify that the supporting surface will safely support the combined weight of the equipment and all attached hardware and components.

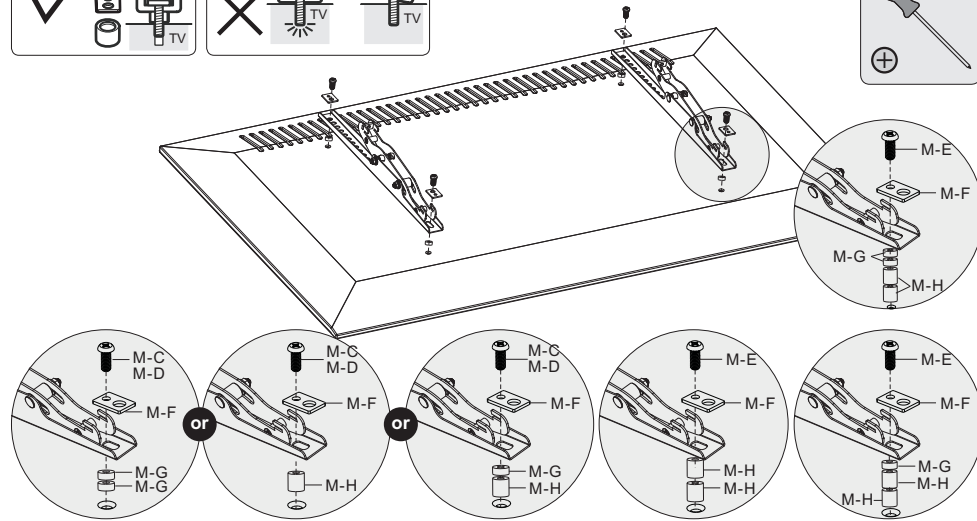
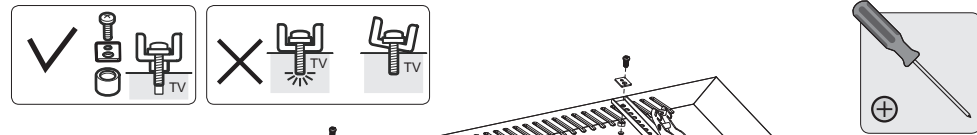
### 3. Installing the Adapter Brackets



### 3a For Flat Back Screens



### 3b For Recessed Back Screens or to Access A/V Inputs

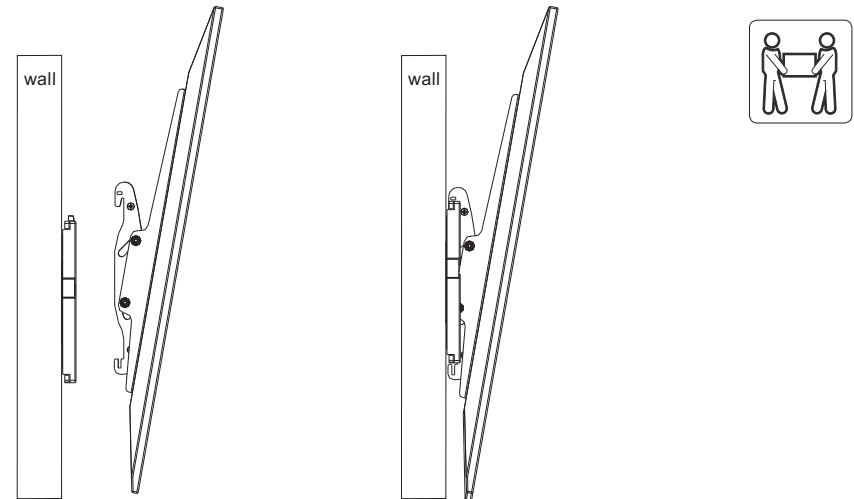


**Note:** Choose the appropriate screws, washers and spacers (if necessary) according to the type of screen.

- Position the adapter brackets as close as possible to the center of the display.
- Screw the adapter brackets onto the display.

**⚠** Tighten all screws but do not over tighten.

### 4. Hooking the Display onto the Wall Mount



Hook the display over the top of the wall plate.

**Important:** Make sure the display is correctly hooked before releasing the display.