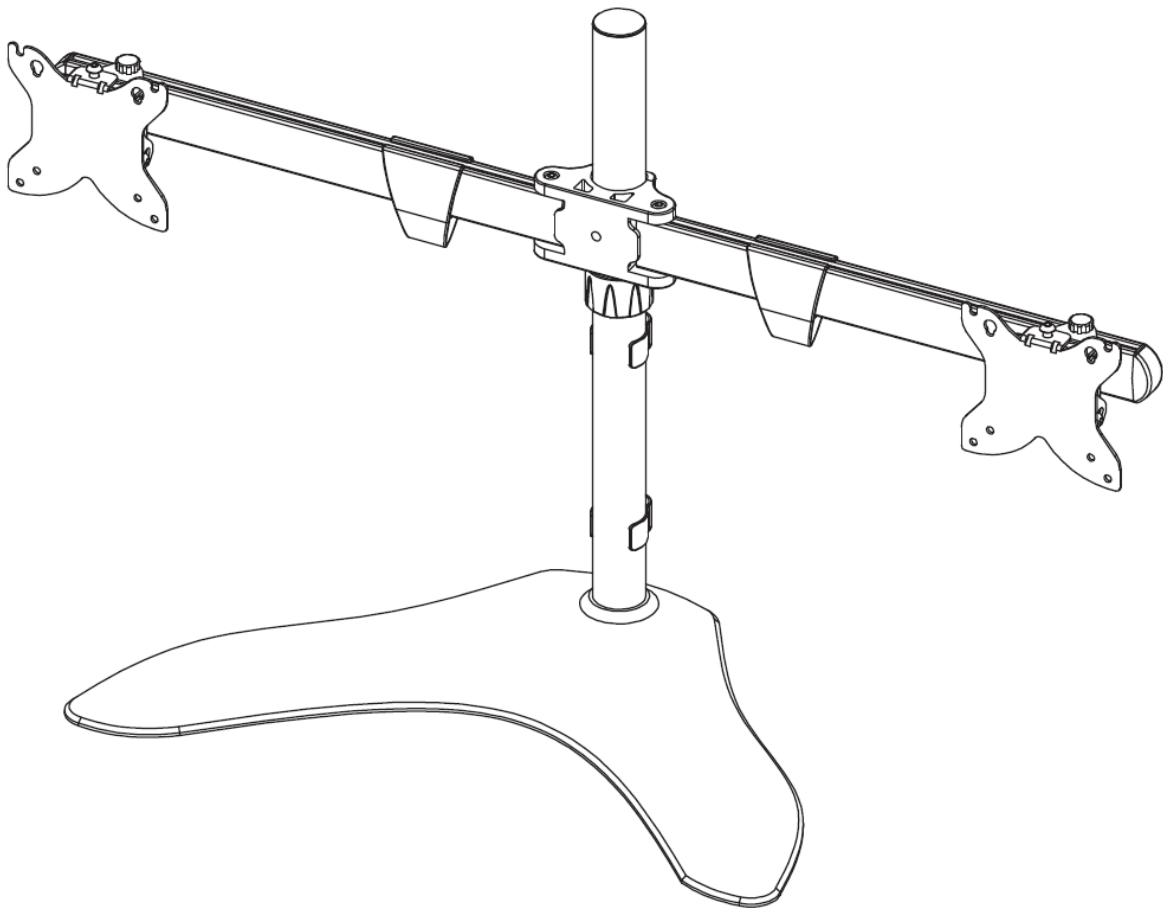




## Aluminum Dual Monitor Desk Stand 15" - 30"



P/N: 13815

### User's Manual

## INTRODUCTION

Thank you for purchasing this Dual Monitor Desk Stand!

This desk stand is capable of mounting two 15" ~ 30" monitors, with 75 x 75 or 100 x 100 VESA® mounting patterns and weighing up to 22 lbs. each. It allows for overall height, individual height, tilt, swivel, and horizontal adjustments, and includes cable management clips and all the hardware necessary to assemble the stand and mount two monitors. Additionally, the monitors can be rotated 360° for easy portrait/landscape orientation adjustment.

## FEATURES

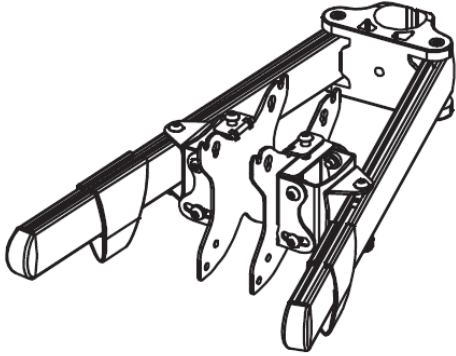
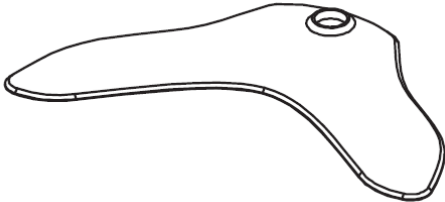
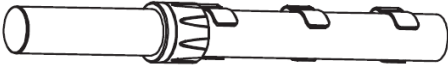





- Compatible with 15" ~ 30" monitors
- Supports two monitors weighing up to 22 lbs. (10 kg) each
- Compatible with 75 x 75 and 100 x 100 VESA® mounting patterns
- Overall height, individual height, tilt, swivel, rotation, and horizontal position adjustments
- Includes cable management clips
- Includes all necessary mounting hardware

## CUSTOMER SERVICE

The Monoprice Customer Service department is dedicated to ensuring that your ordering, purchasing, and delivery experience is second to none. If you have any problem with your order, please give us an opportunity to make it right. You can contact a Monoprice Customer Service representative through the Live Chat link on our website [www.monoprice.com](http://www.monoprice.com) during normal business hours (Mon-Fri: 5am-7pm PT, Sat-Sun: 9am-6pm PT) or via email at [support@monoprice.com](mailto:support@monoprice.com)

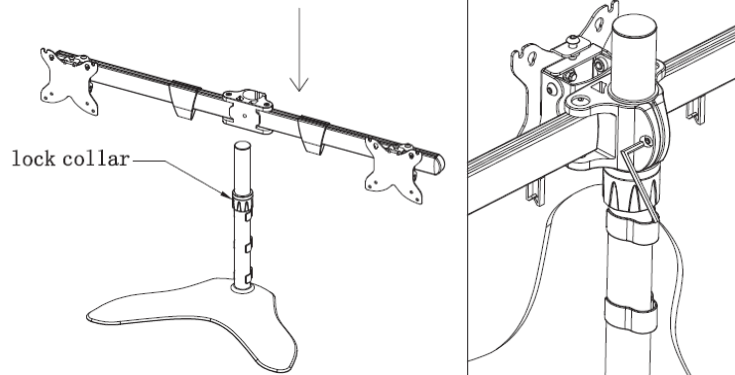
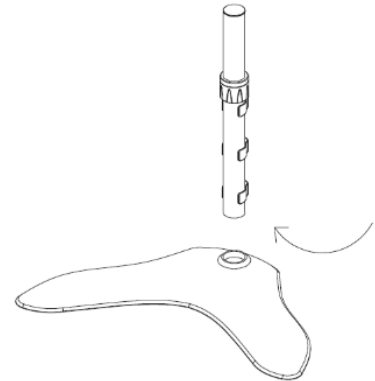
# PACKAGE CONTENTS

Please take an inventory of the package contents to ensure you have all the items listed below. If anything is missing or damaged, please contact Monoprice Customer Service for a replacement.

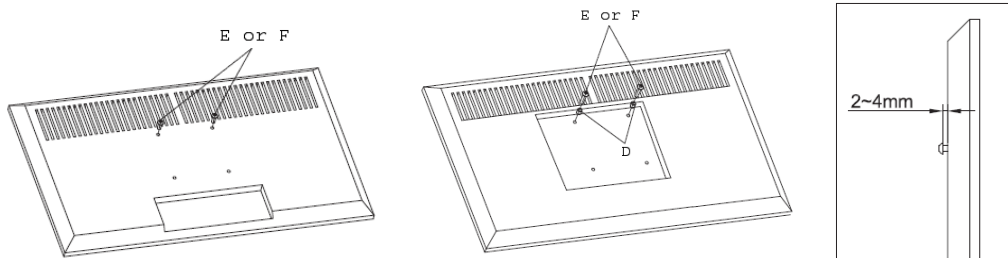
	
<p><b>A</b> Arm Assembly</p>	<p><b>B</b> Base</p>
	
<p><b>C</b> Pole Assembly</p>	<p><b>D</b> <math>\varnothing 8.0 \times \varnothing 5.5 \times 5.0</math> mm Bushings (x8)</p>
	
<p><b>E</b> Short M4x12 Screws (x8)</p>	<p><b>F</b> Long M4x12 Screws (x8)</p>
	
<p><b>G</b> 4mm Hex Wrench</p>	<p><b>H</b> 5mm Hex Wrench</p>

# INSTALLATION

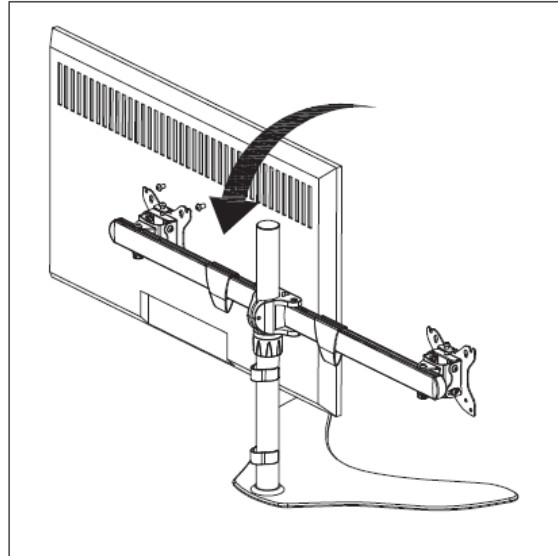
1. Place the **Base (B)** on a desk or table.
2. Insert the **Pole Assembly (C)** into the hole in the base, then turn it clockwise to tighten the connection.
3. Place the **Arm Assembly (A)** onto the **Pole Assembly (C)**, adjust the height as desired, then use the **4mm Hex Wrench (G)** to tighten the screw as shown in the following figure to the right. You can also adjust the height by loosening the lock collar and extending the pole assembly up or down as desired.



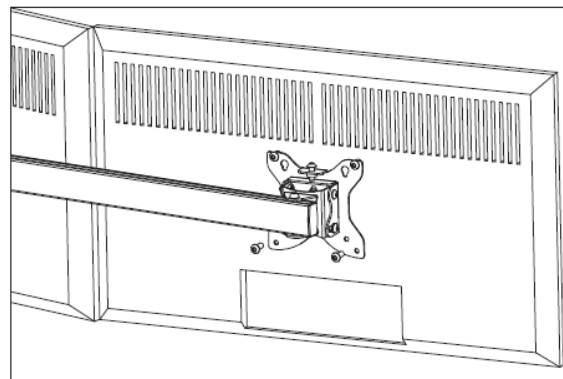
4. Place a towel or blanket on a table or on the floor, then place one of your monitors face down on the towel/blanket.
5. Insert two (2) **Short M4x12 Screws (E)** or **Long M4x12 Screws (F)** into the upper two VESA® mounting holes. Tighten them to the point where there is 2-4mm between the back of the monitor and the screw head. If necessary, use the **ø8.0 x ø5.5 x 5.0 mm Bushings (D)** to reduce the space between the screw heads and the back of the monitor.



6. Repeat steps 4 and 5 for the second monitor.
7. Place one of the monitors onto a mounting bracket by placing the extended screws into the grooves on the bracket.

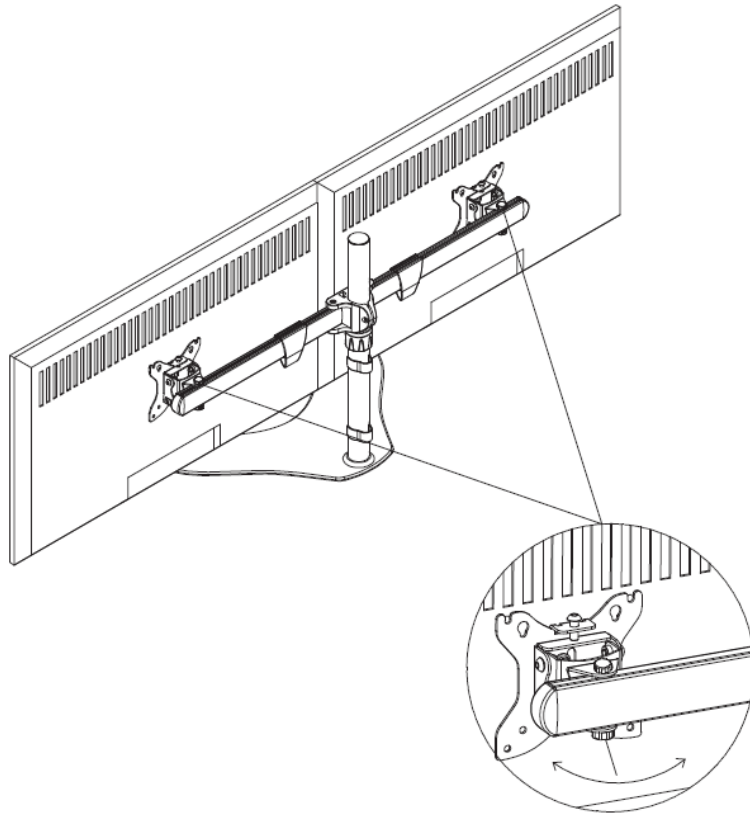


8. Insert two (2) additional **Short M4x12 Screws (E)** or **Long M4x12 Screws (F)** through the bracket into the lower VESA® mounting holes. Tighten the screws to secure the bracket to the back of the monitor. Use the **ø8.0 x ø5.5 x 5.0 mm Bushings (D)** as necessary to reduce the space between the screw heads and the back of the monitor.

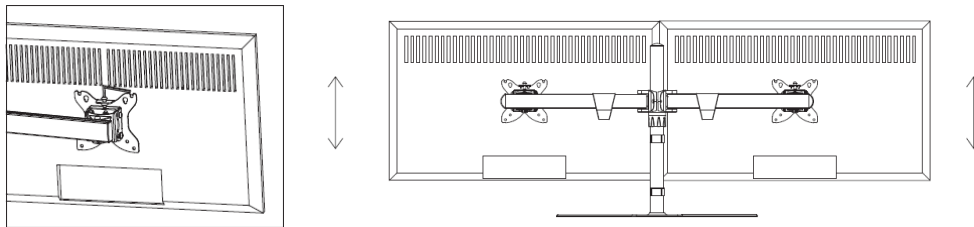


9. Repeat steps 7 and 8 for the second monitor.

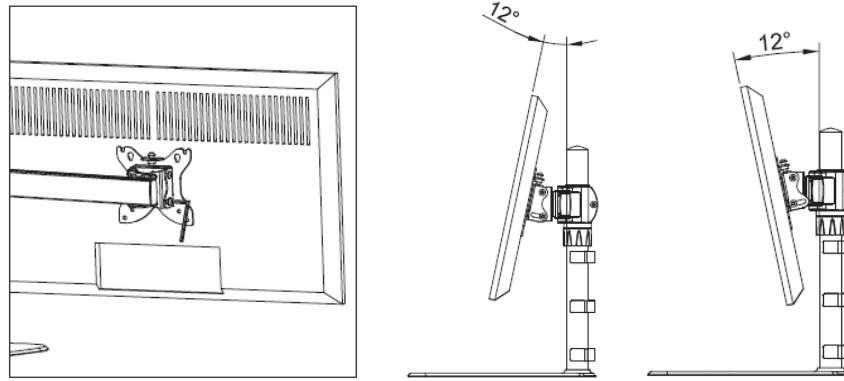
10. Loosen the two thumbscrews that hold each bracket to the mounting arm, then slide the monitor and bracket assemblies so that the monitor bezels are almost touching at the center of the desk mount assembly, as shown in the figure to the right. Tighten the thumbscrews to secure the brackets in place.



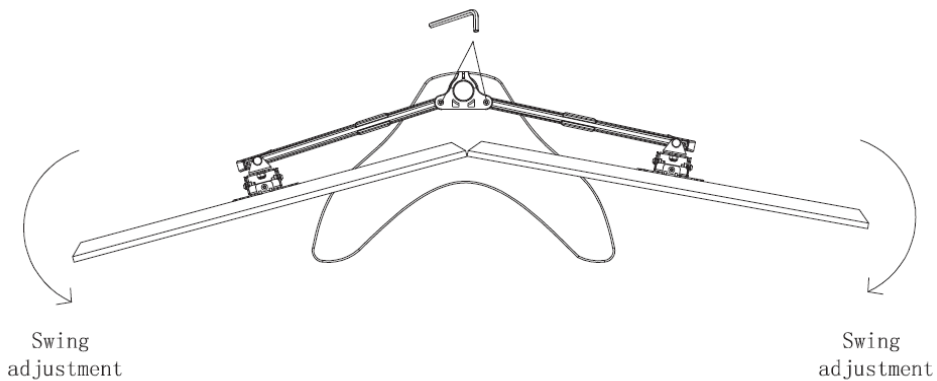
11. If the monitors are not level, use the included **4mm Hex Wrench (G)** to tighten the screw at the top of the lower bracket, thereby raising the bracket's level. To lower the bracket's level, loosen the screw.



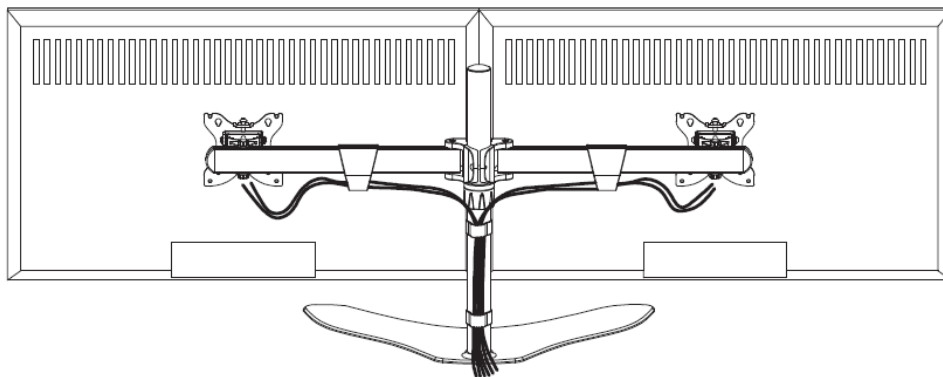
12. To adjust the tilt, first use the included **5mm Hex Wrench (H)** to slightly loosen the two screws on each side of the mounting bracket, adjust the tilt as desired, then tighten the screws to secure the bracket in place.



13. To adjust the monitor angles, use the included **5mm Hex Wrench (H)** to slightly loosen the two screws at the base of the arms, adjust the angle, then tighten the screws to secure the arms in place.



14. Install the cables and use the included cable management clips to keep hold the cables neatly in place.



## TECHNICAL SUPPORT

Monoprice is pleased to provide free, live, online technical support to assist you with any questions you may have about installation, setup, troubleshooting, or product recommendations. If you ever need assistance with your new product, please come online to talk to one of our friendly and knowledgeable Tech Support Associates. Technical support is available through the online chat button on our website [www.monoprice.com](http://www.monoprice.com) during regular business hours, 7 days a week. You can also get assistance through email by sending a message to [tech@monoprice.com](mailto:tech@monoprice.com)

## SPECIFICATIONS

Model	13815
Number of Supported Monitors	Two (2)
Supported TV Sizes	15" ~ 30"
Maximum Supported Weight	22 lbs. (10 kg) per monitor
Supported VESA Sizes	75 x 75 and 100 x 100
Height Adjustment Range	11.2" ~ 17.7" (284 ~ 450 mm)
Swivel Adjustment Range	Up to 150°
Rotation Adjustment Range	360°
Tilt Adjustment Range	±12°

*VESA® is a registered trademark of the Video Electronics Standards Association.*