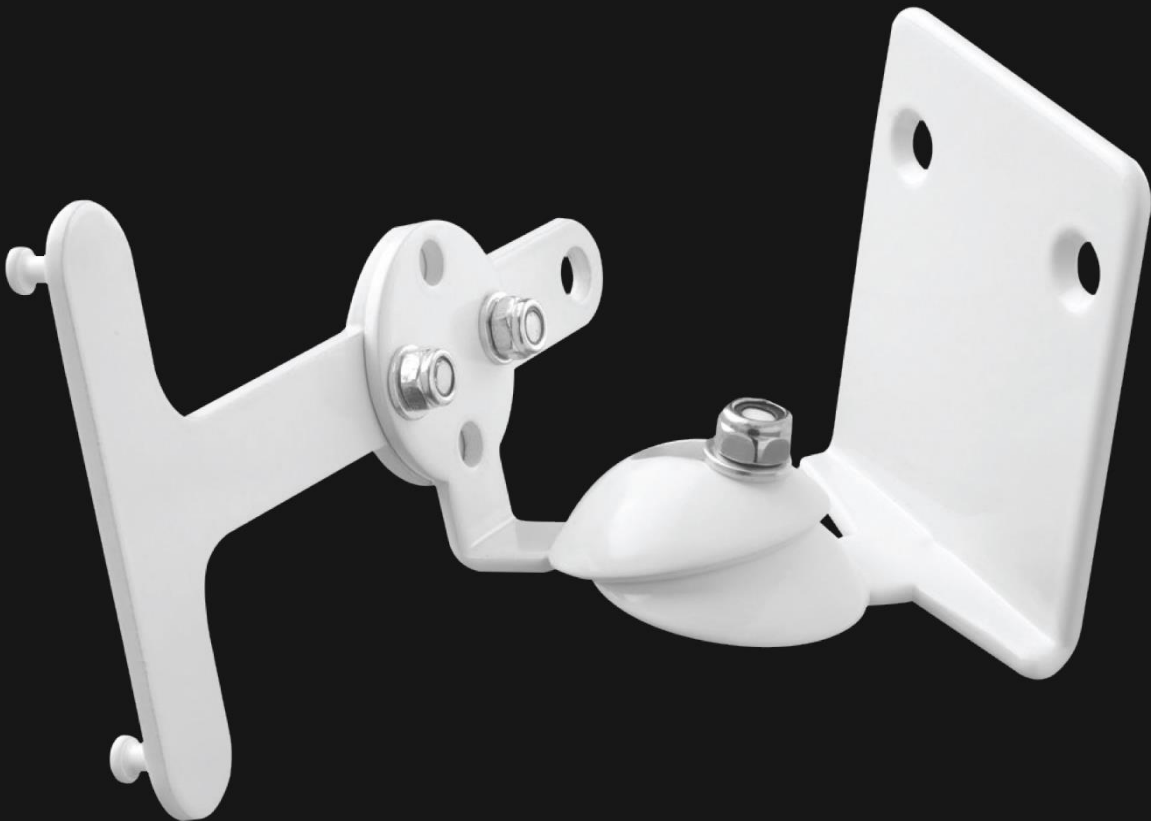


# Swivel Speaker Mount for Sonos PLAY:3

User's Manual



14538 / 14539

# SAFETY WARNINGS AND GUIDELINES

- Do not begin to install this product until you have read and understood the instructions and warnings contained in this manual.
- This product should only be installed if you have good mechanical understanding and experience with basic building construction. Make sure you fully understand these instructions.
- Make sure that the supporting surface is in good condition and will safely support the combined load of the equipment and all attached hardware and components.
- This bracket is specially designed for the Sonos Play:3 speaker. Do not use it for any other application.
- If mounted to wooden beams or joists, make sure that mounting screws are anchored into the center of the beams/studs. The use of an "edge-to-edge" stud finder is highly recommended.
- If mounting to concrete, breeze block, brick, or other masonry material, do not drill into mortar joints. Ensure that screws and anchors are installed into solid areas of the surface.
- Always use an assistant or mechanical lifting equipment to safely lift and position equipment.
- Tighten screws firmly, but do not over-tighten. Over-tightening can damage the screws, greatly reducing their holding power.
- This product is intended for indoor use only. Use of this product outdoors could lead to product failure and personal injury.
- This product was designed to be installed on the following surfaces only: wood stud, concrete, breeze block, and brick.

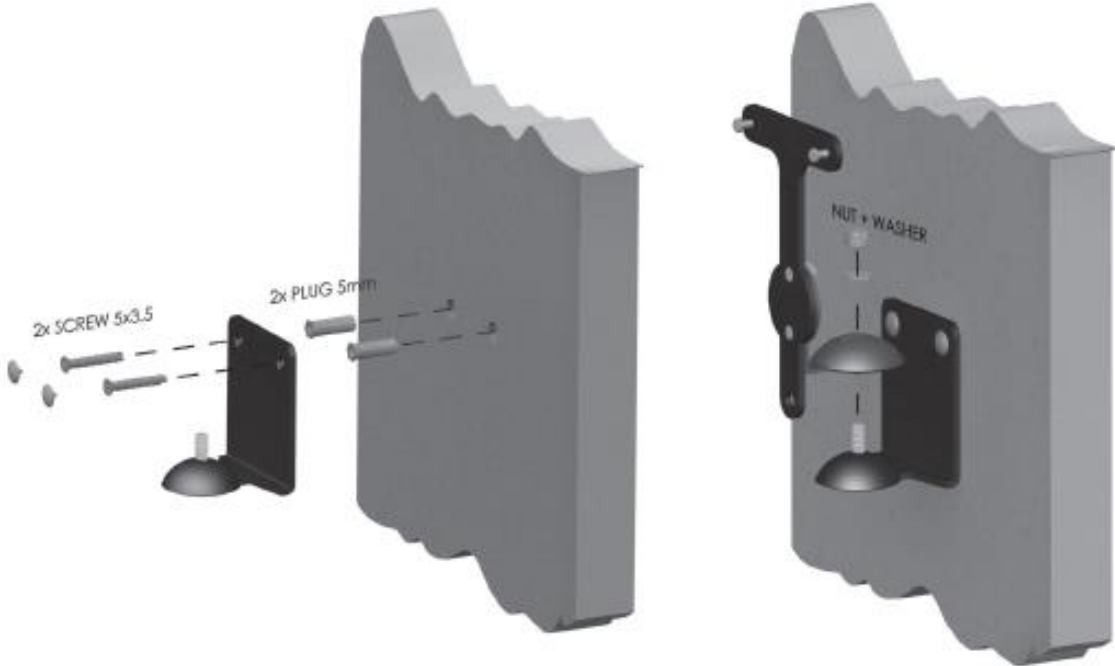
## AVISO DE SEGURIDAD

- Gracias por la compra de este soporte de altavoz. Este soporte está diseñado específicamente para la obra de tipo Sonos: 3 Sistema altavoz. No lo utilice para ninguna otra aplicación.
- La instalación incorrecta puede causar daños a la propiedad o lesiones personales.
- Este producto contiene piezas pequeñas que podrían ser un peligro de asfixia si se ingiere. Mantenga alejado de los niños pequeños.
- Antes de iniciar el montaje, compruebe de que todas las partes estén incluidas e intactas.
- No inicie la instalación de este producto hasta que tenga listo y entendido las instrucciones y advertencias contenidas en este manual.
- No instale este producto a menos que tenga una buena comprensión mecánica y experiencia en construcción básica de edificios.
- Este soporte de altavoz cuenta con la capacidad para ejecutar el cableado de los altavoces desde la columna a nivel del suelo. Tenga cuidado para evitar daños en el cableado de los bordes afilados.
- Para evitar daños en el cable eléctrico y la toma de corriente, desconecte el cable del altavoz de la toma de pared antes de ejecutar el alambre a través del pilar y la base.
- Este producto solo debe ser colocado en una superficie plana y sólida.

## FEATURES

- Designed specifically for the Sonos PLAY:3 speaker system
- Speaker can be mounted in horizontal and vertical position.
- Swivel Range:  $\pm 45^\circ$  (horizontal installations),  $\pm 60^\circ$  (vertical installations)
- Tilt Range:  $+12^\circ$  up,  $-32^\circ$  down
- Distance to the Wall: 2.8" (70mm)

# INSTALLATION AND PACKAGE CONTENTS



- |  |    |   |       |
|--|----|---|-------|
|  | 1x |  | 1x    |
|  | 1x |  | 3x    |
|  | 2x |  | 2x M5 |
|  | 2x |  | 1x M6 |
|  | 2x |   |       |