

MONOPRICE

Stealth Motorized Recessed Projector Lift (Max 44 lbs.)

P/N 15495

User's Manual

CONTENTS

- SAFETY WARNINGS AND GUIDELINES 3
 - Installation and Operation..... 3
 - General 4
 - Power 4
 - Height Adjustment..... 5
- PACKAGE CONTENTS 6
- PRODUCT OVERVIEW 7
- INSTALLATION 8
- SPECIFICATIONS..... 11
- REGULATORY COMPLIANCE..... 11
 - Notice for FCC 11
 - Notice for Industry Canada..... 12

SAFETY WARNINGS AND GUIDELINES

Please read this manual thoroughly, paying extra attention to these safety warnings and guidelines. Keep this manual in a safe place for future reference.

Installation and Operation

- This product should only be installed by a qualified structural contractor. Failure to follow proper structural code in regard to hanging equipment could result in serious injury or death.
- The ceiling structure to which this projector lift will be attached must have a minimum load bearing capacity four times the total weight of the lift and any attached projector. Note that the lift weighs 48.1 lbs. (21.8 kg) and the maximum weight of any installed projector is 44 lbs (20 kg).
- Frequently inspect the installation for imbalance and signs of wear or damage to cables and springs. Do not use if repair or adjustment is needed.
- Do not stand beneath this product while it is in operation.
- Before installing the device, remove any unnecessary cables and disable any equipment not needed for powered operation.
- Ensure the lift is visible when raising and lowering to ensure that there are no obstructions to hinder operation.
- When fully lowered, ensure that the bottom of the lift is at least 8 feet above the floor.
- To avoid overheating of the motor, do not operate the lift continuously for more than 4 minutes. If the motor overheats, internal protection circuitry will shut down the motor until it cools sufficiently for continued operation.

General

- This device is intended for indoor use only.
- Do not expose this device to water or moisture of any kind. If water does get in or on the device, unplug it from its power source and allow it to fully dry before reapplying power.
- Do not touch the device, the power cord, or any other connected cables with wet hands.
- Do not expose this device to excessively high temperatures. Do not place it in, on, or near heat sources, such as a fireplace, stove, radiator, etc. Do not leave it in direct sunlight.
- All wires and cables installed inside the ceiling must be rated for in-wall/in-ceiling use by the UL or a similar certification agency. An in-wall rating is sufficient for residential installations, while a riser or plenum rating is required for commercial installations. Please refer to your local building regulatory agency for guidance.
- Do not place or install this device in an area where it can be exposed to excessive amounts of dust, humidity, oil, smoke, or combustible vapors.
- When it is extended, take care not to shake the lift or attempt to manually lift it up.
- This device has no user serviceable parts. Do not attempt to repair or disassemble this device.
- The motor requires no periodic lubrication.

Power

- This device requires a grounded/earthed power connection for safe operation.
- A short power cord is included with this device. However, you can construct a longer cord or make a permanent, fixed power connection. If replacing the included cord, use a three-conductor power cord of sufficient gauge to handle 170 watts, plus the power requirements of the attached projector.
- If using a fixed electrical connection (directly wired to a power source), install a quick disconnect device inline where it can be readily accessible. If using a standard

AC power plug, ensure that the power outlet is readily accessible so that power can be removed in the event of an emergency.

- All wires and cables installed inside the ceiling must be rated for in-wall/in-ceiling use by the UL or a similar certification agency. An in-wall rating is sufficient for residential installations, while a riser or plenum rating is required for commercial installations. Please refer to your local building regulatory agency for guidance.
- Unplug this device from the power source when not in use.
- Take care to prevent damage to the power cord. Do not allow it to become crimped, pinched, walked on, or become tangled with other cords. Ensure that the power cord does not present a tripping hazard.
- Never unplug the unit by pulling on the power cord. Always grasp the connector head or adapter body.
- Ensure that power is turned off and disconnected before making any electrical connections.
- Remove the batteries from the controller if it will go unused for a lengthy period of time.

Height Adjustment

- Be careful while adjusting the upper height limit to not set the height too high or you could cause damage to the motor and/or canvas belts.
- To check for over adjustment of the upper height limit, check the connecting rod at both ends. If no gap exists, the height limit is set too high. Another sign is that the bottom plate does not work.
- When setting the lower height limit, ensure that there are at least one and a half loops on the woven belt.

PACKAGE CONTENTS

Please take an inventory of the package contents to ensure you have all the items listed below.

1x Motorized projector lift assembly

1x Ceiling cutout template

1x M4 hex wrench

4x M3x20mm screws

4x M4x20mm screws

4x M5x20mm screws

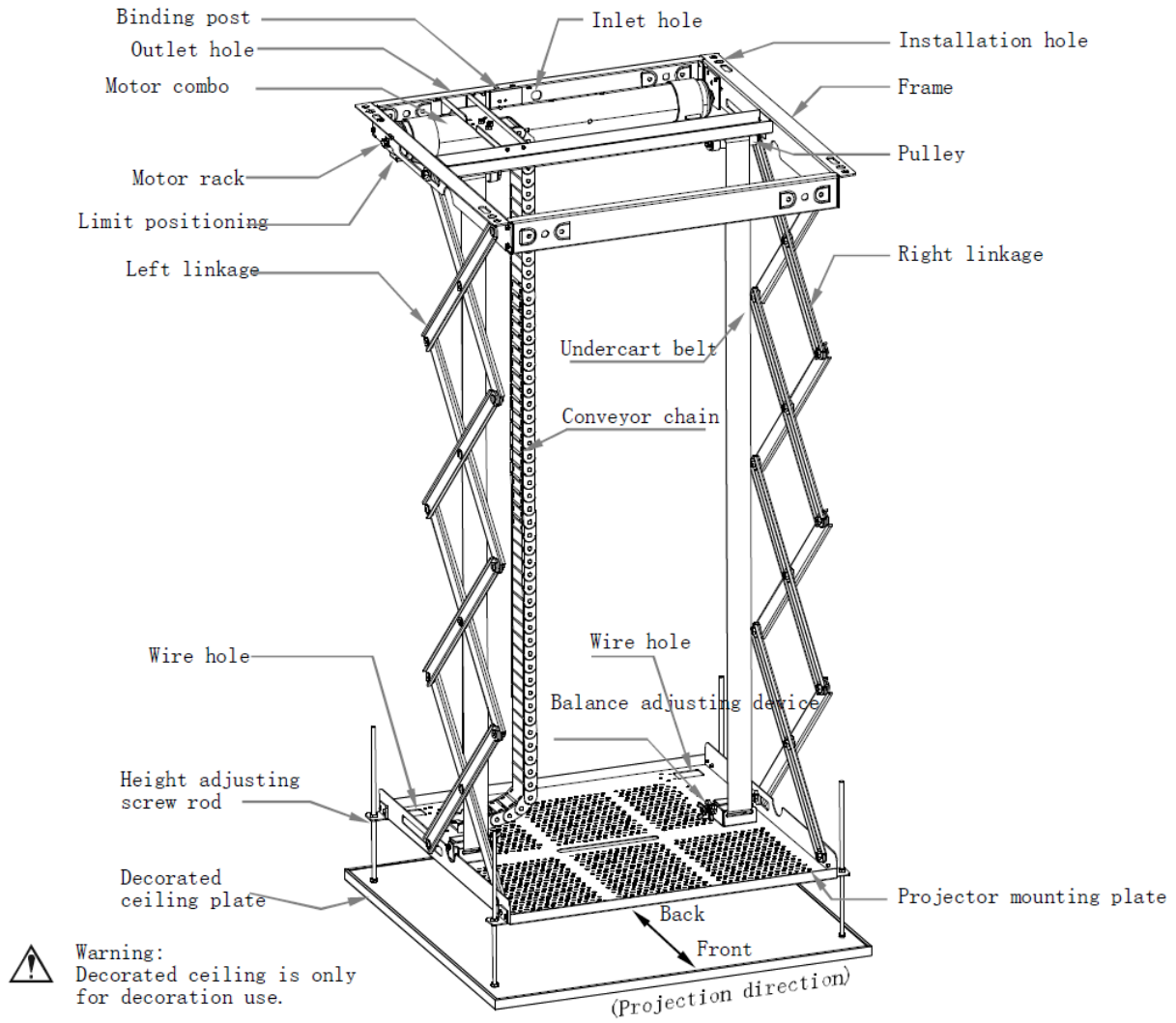
4x Rubber washers

3x Long ribbons

1x 6P-4 power wire clip

1x User's manual

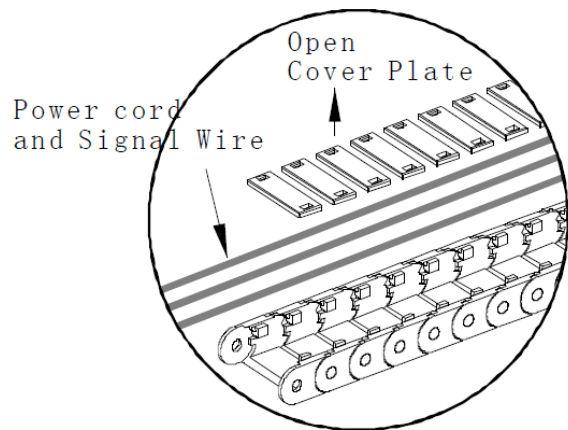
PRODUCT OVERVIEW



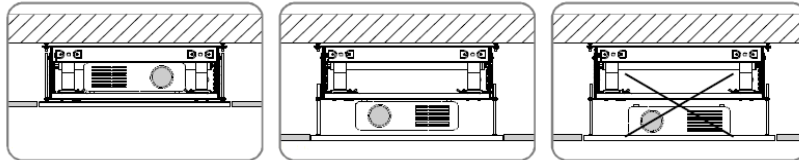
INSTALLATION

This projector lift is designed to be installed in the space between a dropped ceiling and the primary ceiling structure. The lift itself need to be mounted to the primary structure, which must be capable of supporting four times the weight of the lift and the projector itself. This lift weighs 48.1 lbs. (21.8 kg) and the maximum weight of any installed projector is 44 lbs (20 kg).

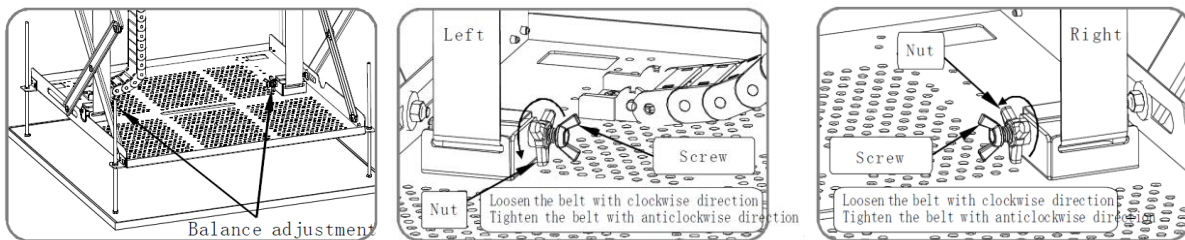
1. Once the mounting location has been selected, measure the distance between the surface of the ceiling and the primary ceiling structure, to which the lift must be mounted. We will refer to this distance with the variable H.
2. If H is less than 11.8" (300mm), the lift can be mounted directly to the primary ceiling structure. If H is greater than or equal to 11.8", you will need to use M10 threaded rods (not included) to mount the lift at the correct height.
3. Use the cardboard template to mark the mounting locations on the primary ceiling structure.
4. Mount the lift to the primary ceiling structure. Use a carpenter's level to ensure that the lift is perfectly level. Failure to properly level the lift can result in improper operation and damage to the lift.
5. Remove the cover plate from the conveyor chain, then run the projector's power and video cables through the conveyor chain. Reinstall the cover plate. Do not attempt to thread the cables through the conveyer chain without first removing the cover plate.



- The lift allows you to mount the projector in its normal orientation or inverted. The normal orientation is preferred if the space between the primary ceiling structure and the dropped ceiling surface is limited. Mount the projector to the projector mounting plate. If the mounting holes on the projector mounting plate do not align, use the included multifunctional arms. **DO NOT MOUNT THE PROJECTOR TO THE DECORATIVE CEILING PLATE!**



- Use M10 threaded rods with washers and nuts (not included) to adjust the distance between the projector (if mounted inverted) or the projector mounting plate (if mounted normally) and the decorative ceiling plate. There should be at least 0.8" (20mm) between the decorative plate and the projector or projector mounting plate.
- Connect the projector power and video to the projector. If using an inverted orientation, first feed the cables through the hole in the projector mounting plate.
- Use a carpenter's level to recheck the balance of the projector mounting plate. If it is not perfectly level, adjust the length of the woven belts. To adjust the height, first loosen the locking wingnut, then turn the adjustment nut. Turn the nut clockwise to lower the height on that side or turn it counterclockwise to raise the height. Make small adjustments to each side. Adjust each side until balance is achieved. Finally, tighten the locking wingnuts to prevent the adjusting nut from moving.



- Plug the projector power and video cables into the projector lift.
- Run a video cable from the projector lift to the video source.

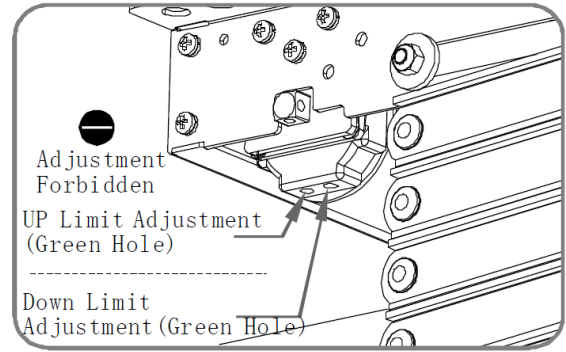
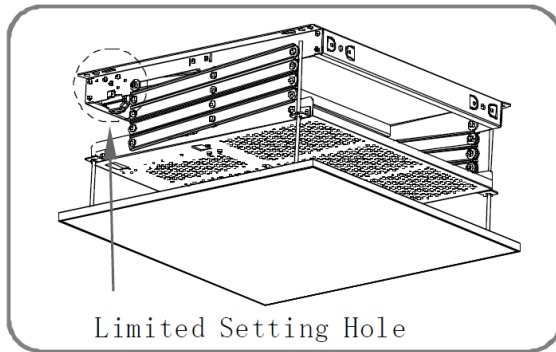
12. Plug the projector lift power cable into a nearby AC power outlet. Ensure that the outlet is readily accessible so that the assembly can be quickly and easily disconnected from power.

13. Mount the RF remote control receiver near the ceiling surface.

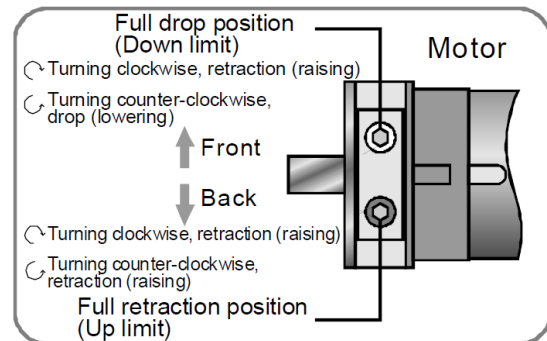
14. Use the RF remote control to lower and raise the lift through its full range several times.

Note that if the motor gets hot from overuse, internal circuitry will disable the motor until it has had time to cool back down to the operating temperature.

15. Use a carpenter's level to check the balance again. Adjust the height as necessary to achieve balance, following the instructions in step 9.



16. Use the included M4 hex wrench to adjust the down limit and up limit on the motor, raising and lowering the lift as necessary to test the new limits. The down limit should provide sufficient clearance to properly project the video image, while the up limit should be such that the surface of the decorative ceiling plate is even with the ceiling surface.



17. Once the up and down limits have been set, use a carpenter's level to recheck the balance and adjust the height as necessary, following the instructions in step 9.

18. Reinstall the dropped ceiling and cut a hole for the decorative ceiling plate. The hole should have 5-10 mm space between the plate and the surrounding ceiling tile.

SPECIFICATIONS

Input Voltage	110 VAC, 60Hz
Input Current	1.47 amps
Power Consumption	170 watts
Motor Torque	20 N•m
Motor RPM	17 rpm
Maximum VESA Pattern	500 x 500
Maximum Inverted VESA Pattern	300 x 340
Minimum Extension	11.2" (285mm)
Maximum Extension	78.8" (2000mm)
Dimensions	22.6" x 21.7" x 10.8" (574 x 550 x 275 mm)
Weight	53.1 lbs. (24.1 kg)
Maximum Projector Weight	44.0 lbs (20.0 kg)

REGULATORY COMPLIANCE

Notice for FCC



This device complies with Part 15 of the FCC rules. Operation is subject to the following two conditions: (1) this device may not cause harmful interference, and (2) this device must accept any interference received, including interference that may cause undesired operation.

Modifying the equipment without Monoprice's authorization may result in the equipment no longer complying with FCC requirements for Class B digital devices. In that event, your

right to use the equipment may be limited by FCC regulations, and you may be required to correct any interference to radio or television communications at your own expense.

This equipment has been tested and found to comply with the limits for a Class B digital device, pursuant to Part 15 of the FCC Rules. These limits are designed to provide reasonable protection against harmful interference in a residential installation. This equipment generates, uses and can radiate radio frequency energy and, if not installed and used in accordance with the instructions, may cause harmful interference to radio communications. However, there is no guarantee that interference will not occur in a particular installation. If this equipment does cause harmful interference to radio or television reception, which can be determined by turning the equipment off and on, the user is encouraged to try to correct the interference by one or more of the following measures:

- Reorient or relocate the receiving antenna.
- Increase the separation between the equipment and receiver.
- Connect the equipment into an outlet on a circuit different from that to which the receiver is connected.
- Consult the dealer or an experienced radio/TV technician for help.

Notice for Industry Canada

This Class B digital apparatus complies with Canadian ICES-003.

Cet appareil numérique de la classe B est conforme à la norme NMB-003 du Canada.