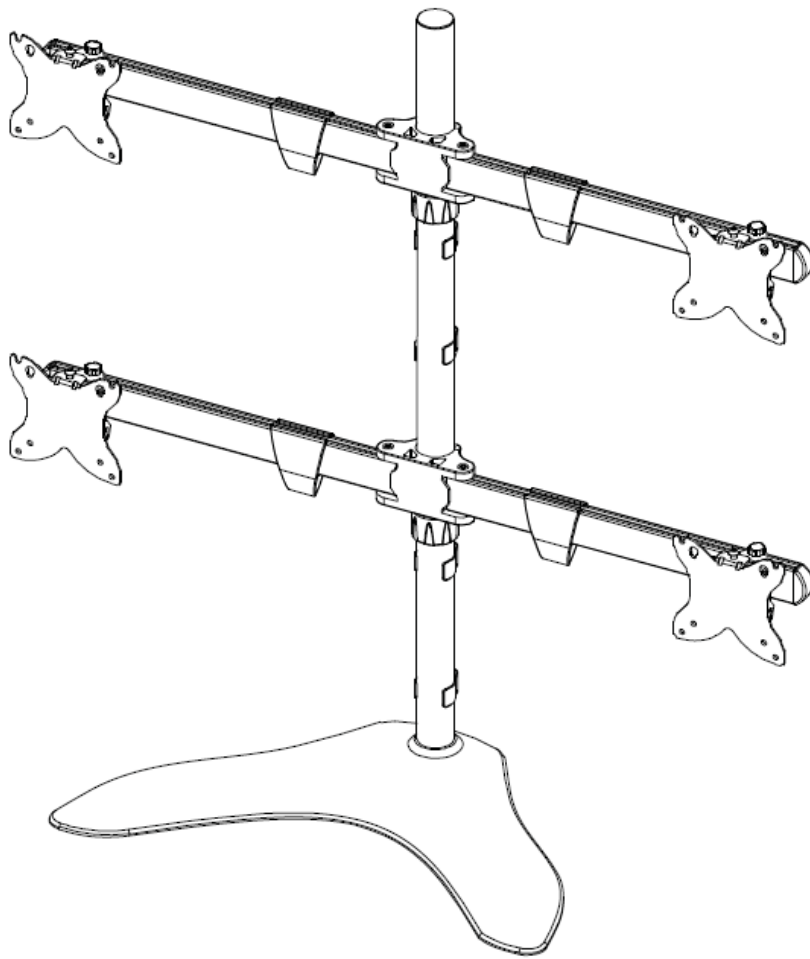




MONOPRICE

Quad Monitor Free Standing Desk Mount 15" - 30"



P/N: 15524

User's Manual

INTRODUCTION

Thank you for purchasing this Quad Monitor Free Standing Desk Mount!

This desk mount is capable of mounting four 15" ~ 30" monitors, with 75 x 75 or 100 x 100 VESA® mounting patterns and weighing up to 22 lbs. each. It allows for overall height, individual leveling, tilt, swivel, and horizontal adjustments, and includes cable management clips and all the hardware necessary to assemble the stand and mount four monitors.

FEATURES

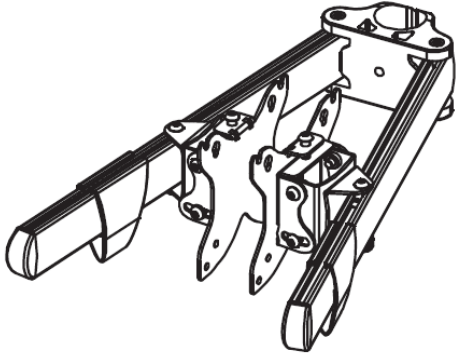
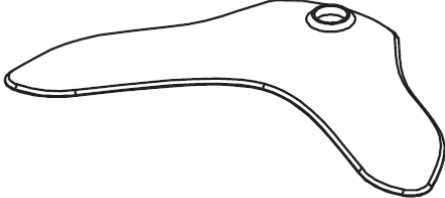





- Compatible with 15" ~ 30" monitors
- Supports four monitors weighing up to 22 lbs. (10 kg) each
- Compatible with 75 x 75 and 100 x 100 VESA® mounting patterns
- Overall height, individual leveling, tilt, swivel, rotation, and horizontal position adjustments
- Includes cable management clips
- Includes all necessary mounting hardware

CUSTOMER SERVICE

The Monoprice Customer Service department is dedicated to ensuring that your ordering, purchasing, and delivery experience is second to none. If you have any problem with your order, please give us an opportunity to make it right. You can contact a Monoprice Customer Service representative through the Live Chat link on our website www.monoprice.com during normal business hours (Mon-Fri: 5am-7pm PT, Sat-Sun: 9am-6pm PT) or via email at support@monoprice.com

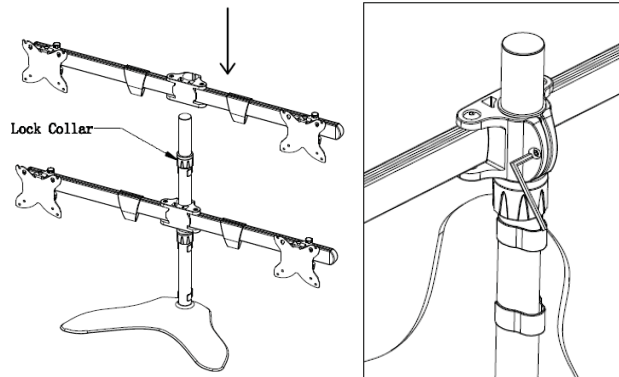
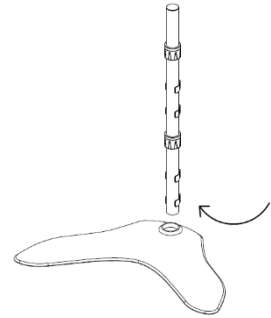
PACKAGE CONTENTS

Please take an inventory of the package contents to ensure you have all the items listed below. If anything is missing or damaged, please contact Monoprice Customer Service for a replacement.

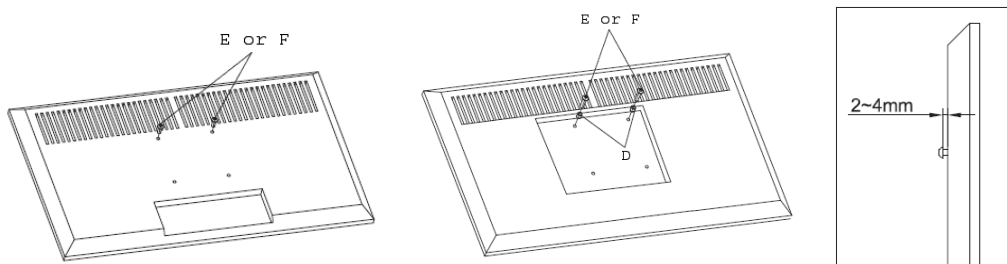
	
A Arm Assembly (x2)	B Base
	
C Pole Assembly	D $\varnothing 8.0 \times \varnothing 5.5 \times 5.0$ mm Bushings (x16)
	
E Short M4x12 Screws (x16)	F Long M4x16 Screws (x16)
	
G 5mm Hex Wrench	

INSTALLATION

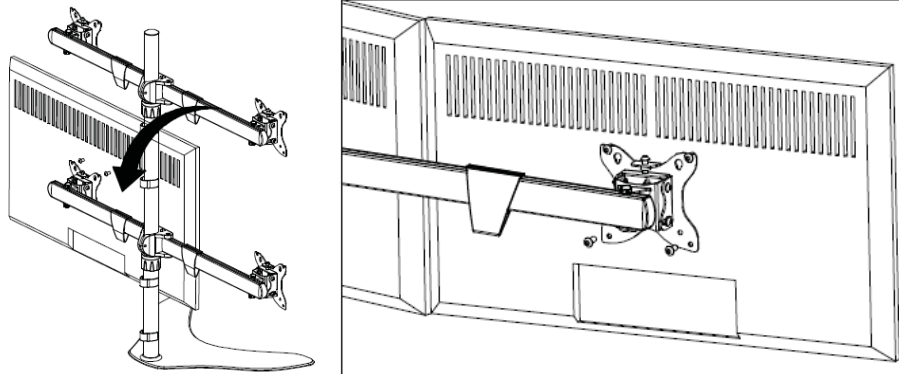
1. Place the **Base (B)** on a desk or table.
2. Insert the **Pole Assembly (C)** into the hole in the base, then turn it clockwise to tighten the connection.
3. Place one **Arm Assembly (A)** onto the **Pole Assembly (C)**, adjust the height as desired, then use the **5mm Hex Wrench (G)** to tighten the screw as shown in the following figure to the right. You can also adjust the height by loosening the lock collar and extending the pole assembly up or down as desired. Repeat using the second **Arm Assembly (A)**.



4. Place a towel or blanket on a table or on the floor, then place one of your monitors face down on the towel/blanket.
5. Insert two (2) **Short M4x12 Screws (E)** or **Long M4x16 Screws (F)** into the upper two VESA® mounting holes. Tighten them to the point where there is 2-4mm between the back of the monitor and the screw head. If necessary, use the **ø8.0 x ø5.5 x 5.0 mm Bushings (D)** to reduce the space between the screw heads and the back of the monitor.

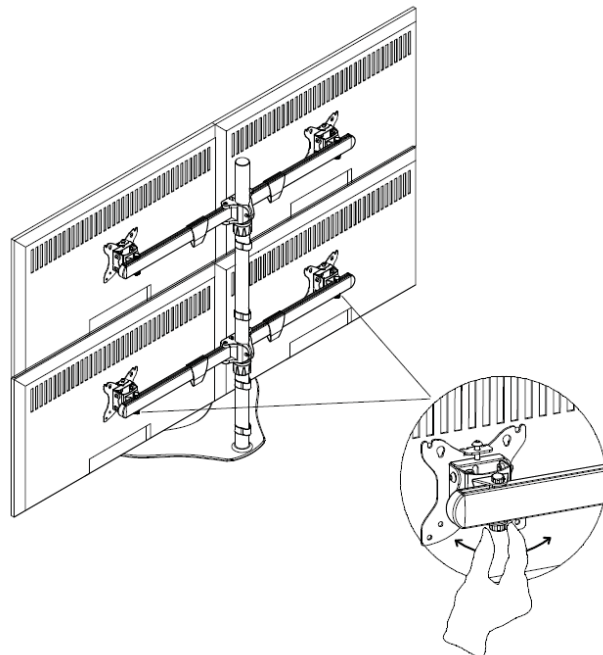


- Repeat steps 4 and 5 for the other three monitors.
- Place one of the monitors onto a mounting bracket by placing the extended screws into the grooves on the bracket.

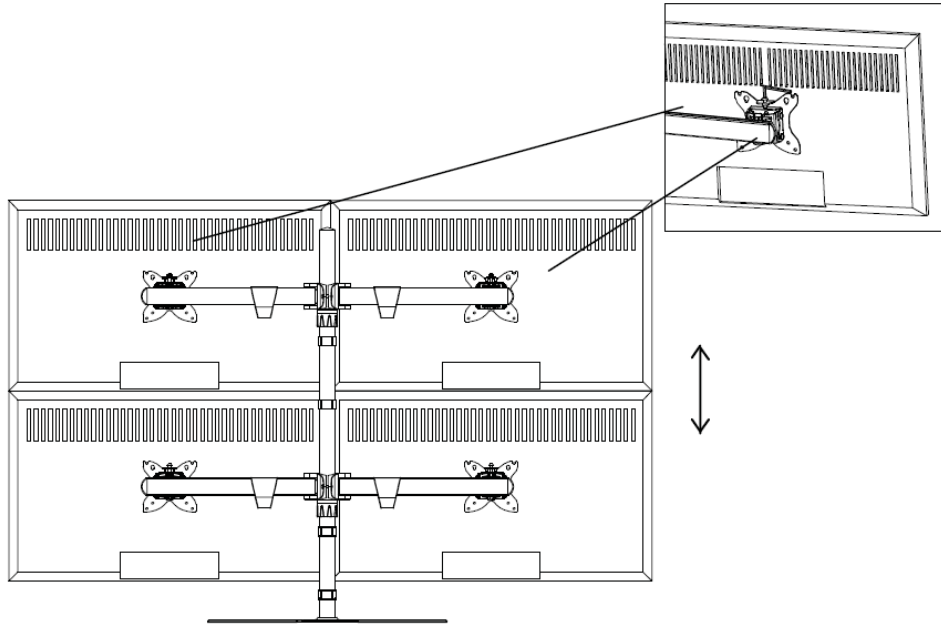


- Insert two (2) additional **Short M4x12 Screws (E)** or **Long M4x16 Screws (F)** through the bracket into the lower VESA® mounting holes. Tighten the screws to secure the bracket to the back of the monitor. Use the **ø8.0 x ø5.5 x 5.0 mm Bushings (D)** as necessary to reduce the space between the screw heads and the back of the monitor.
- Repeat steps 7 and 8 for the other three monitors.

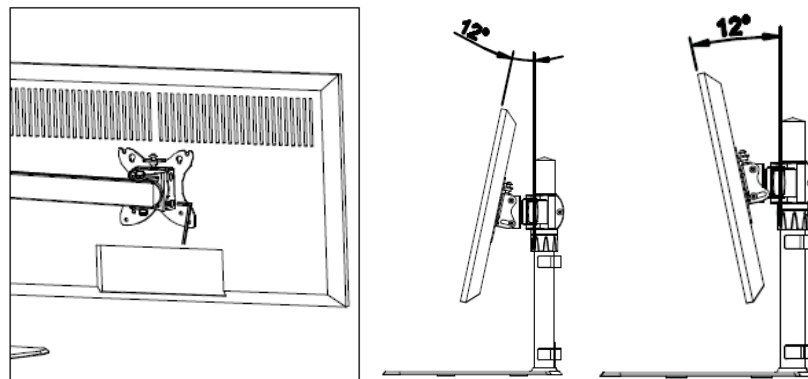
- Loosen the thumbscrews that hold each bracket to the mounting arm, then slide the monitors and bracket assemblies so that the monitor bezels are almost touching at the center of the desk mount assembly, as shown in the figure to the right. Tighten the thumbscrews to secure the brackets in place.



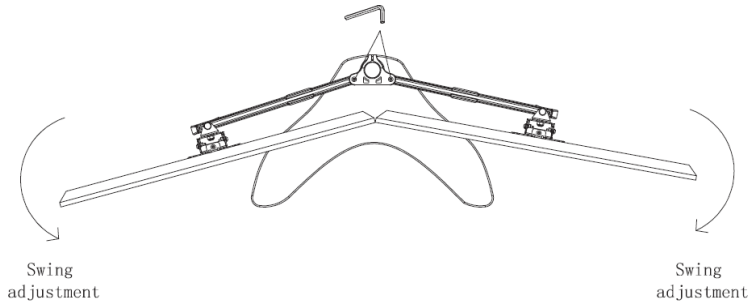
11. If the monitors are not level, use the included **5mm Hex Wrench (G)** to tighten the screw at the top of the lower bracket, thereby raising the bracket's level. To lower the bracket's level, loosen the screw.



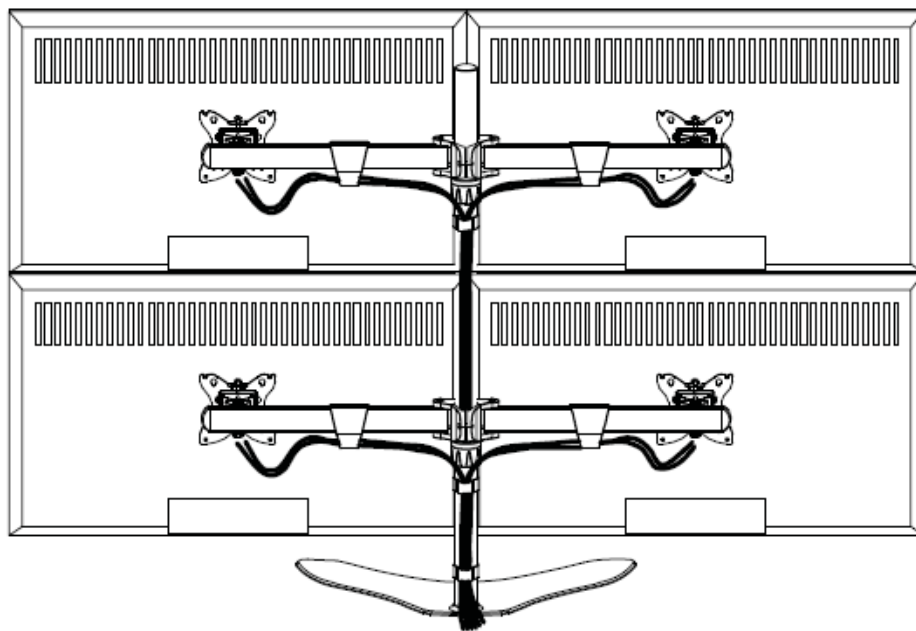
12. To adjust the tilt, first use the included **5mm Hex Wrench (H)** to slightly loosen the two screws on each side of the mounting bracket, adjust the tilt as desired, then tighten the screws to secure the bracket in place.



13. To adjust the monitor angles, use the included **5mm Hex Wrench (H)** to slightly loosen the two screws at the base of the arms, adjust the angle, then tighten the screws to secure the arms in place.



14. Install the cables and use the included cable management clips to keep hold the cables neatly in place.



TECHNICAL SUPPORT

Monoprice is pleased to provide free, live, online technical support to assist you with any questions you may have about installation, setup, troubleshooting, or product recommendations. If you ever need assistance with your new product, please come online to talk to one of our friendly and knowledgeable Tech Support Associates. Technical support is available through the online chat button on our website www.monoprice.com during regular business hours, 7 days a week. You can also get assistance through email by sending a message to tech@monoprice.com

SPECIFICATIONS

Model	15524
Number of Supported Monitors	Four (4)
Supported TV Sizes	15" ~ 30"
Maximum Supported Weight	22 lbs. (10 kg) per monitor
Supported VESA® Sizes	75 x 75 and 100 x 100
Height Adjustment Range*	11.2" ~ 17.7" (284 ~ 750 mm)
Swivel Adjustment Range	Up to 150°
Rotation Adjustment Range	360°
Tilt Adjustment Range	±12°

* *The usable height adjustment range depends on the size and number of monitors in use.*

REGULATORY COMPLIANCE

Notice for FCC



Modifying the equipment without Monoprice's authorization may result in the equipment no longer complying with FCC requirements for Class B digital devices. In that event, your right to use the equipment may be limited by FCC regulations, and you may be required to correct any interference to radio or television communications at your own expense.

This equipment has been tested and found to comply with the limits for a Class B digital device, pursuant to Part 15 of the FCC Rules. These limits are designed to provide reasonable protection against harmful interference in a residential installation. This equipment generates, uses and can radiate radio frequency energy and, if not installed and used in accordance with the instructions, may cause harmful interference to radio communications. However, there is no guarantee that interference will not occur in a particular installation. If this equipment does cause harmful interference to radio or television reception, which can be determined by turning the equipment off and on, the user is encouraged to try to correct the interference by one or more of the following measures:

- Reorient or relocate the receiving antenna.
- Increase the separation between the equipment and receiver.
- Connect the equipment into an outlet on a circuit different from that to which the receiver is connected.
- Consult the dealer or an experienced radio/TV technician for help.

Notice for Industry Canada

This Class B digital apparatus complies with Canadian ICES-003.

Cet appareil numérique de la classe B est conforme à la norme NMB-003 du Canada.



EU Declaration of Conformity

Monoprice, Inc. declares the product described within this user guide or manual is in compliance with below applicable directives. The full text of the EU Declaration of Conformity is available at the following internet address:

https://www.monoprice.com/product?p_id=15224 or the CE DoC can be found within this user manual

- EMC Directive 2004/108/EC
- Low Voltage Directive 2014/35/EU
- RoHS2 Directive 2011/65/EU
- WEEE Directive 2012/19/EC
- Packaging & Packaging Waste Directive 94/62/EC
- REACH Directive 1907/2006/EC

WEEE Information

User information for consumer products covered by EU Directive 2012/19/EU on Waste Electric and Electronic Equipment (WEEE)

This document contains important information for users with regards to the proper disposal and recycling of Monoprice products. Consumers are required to comply with this notice for all electronic products bearing the following symbol:



For Consumers in the European Union: This EU Directive requires that the product bearing this symbol and or its packaging must not be disposed of with unsorted municipal waste. The symbol indicates that this product should be disposed of separately from regular household waste streams. It is your responsibility to dispose of this and other electrical and

electronics products via designated collection facilities appointed by the government or local authorities. Correct disposal and recycling will help prevent potential negative consequences to the environment and human health. For more detailed information about the disposal of your unwanted product, please contact your local authorities, waste disposal service, or the shop where you purchased the product.

Safety Notice



WARNING: Do not use this product near water, for example, in a wet basement or near swimming pool or in an area where accidental contact with water or liquid might occur

WARNING: Avoid using this product during an electrical storm. There may be a remote risk of electric shock from the surge caused by lightning

WARNING: The external power adapter or AC power cord is the equipment's disconnection device. The power outlet must be located nearby the equipment and its access must be easy

WARNING: Use this product in a well ventilated area

VESA® is a registered trademark of the Video Electronics Standards Association.