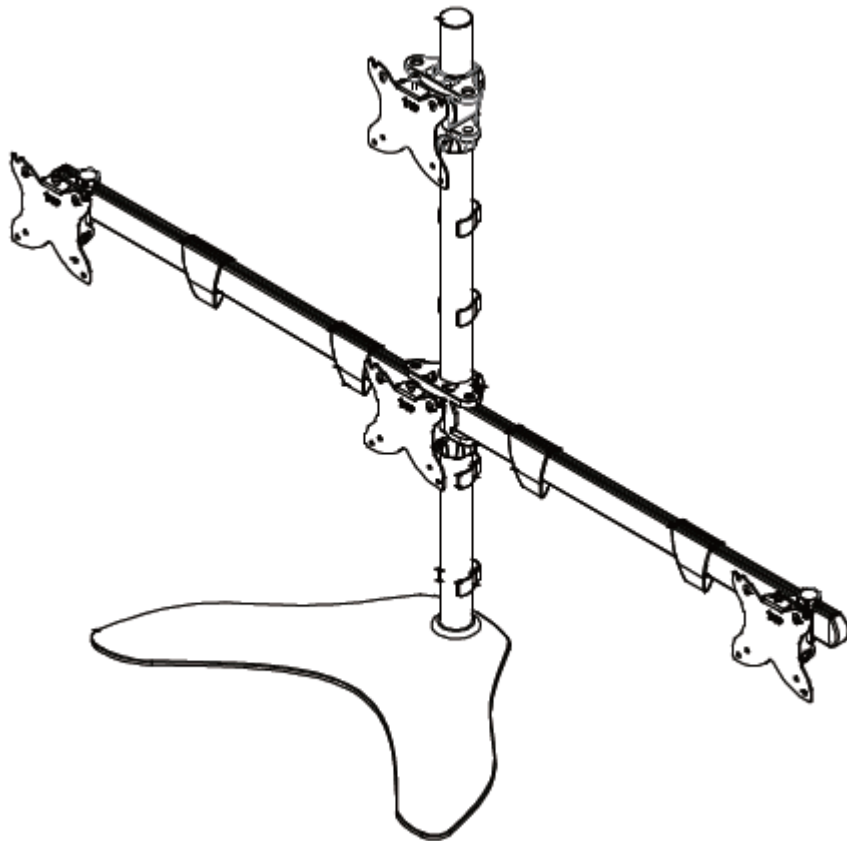




Quad Monitor Pyramid Free Standing Desk Mount



P/N: 15708

User's Manual

INTRODUCTION

Thank you for purchasing this Quad Monitor Pyramid Free Standing Desk Mount!

This desk mount is capable of mounting four 15" ~ 30" monitors, with 75 x 75 or 100 x 100 VESA mounting patterns and weighing up to 22 lbs. each. It allows for overall height, individual leveling, tilt, swivel, and horizontal adjustments, and includes cable management clips and all the hardware necessary to assemble the stand and mount four monitors. Additionally, the monitors can be rotated 360° for easy portrait/landscape orientation adjustment.

FEATURES

- Compatible with 15" ~ 30" monitors
- Supports four monitors weighing up to 22 lbs. (10 kg) each
- Compatible with 75 x 75 and 100 x 100 VESA mounting patterns
- Overall height, individual leveling, tilt, swivel, rotation, and horizontal position adjustments
- Includes cable management clips
- Includes all necessary mounting hardware

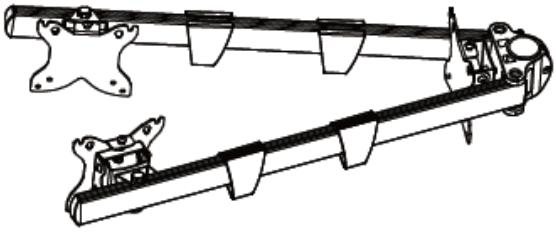
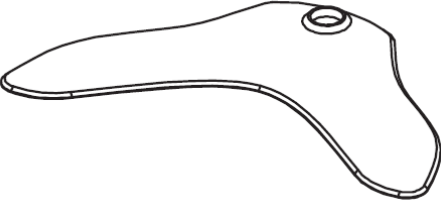
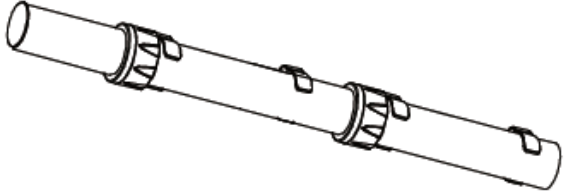
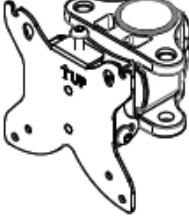




CUSTOMER SERVICE

The Monoprice Customer Service department is dedicated to ensuring that your ordering, purchasing, and delivery experience is second to none. If you have any problem with your order, please give us an opportunity to make it right. You can contact a Monoprice Customer Service representative through the Live Chat link on our website

www.monoprice.com during normal business hours (Mon-Fri: 5am-7pm PT, Sat-Sun: 9am-6pm PT) or via email at **support@monoprice.com**

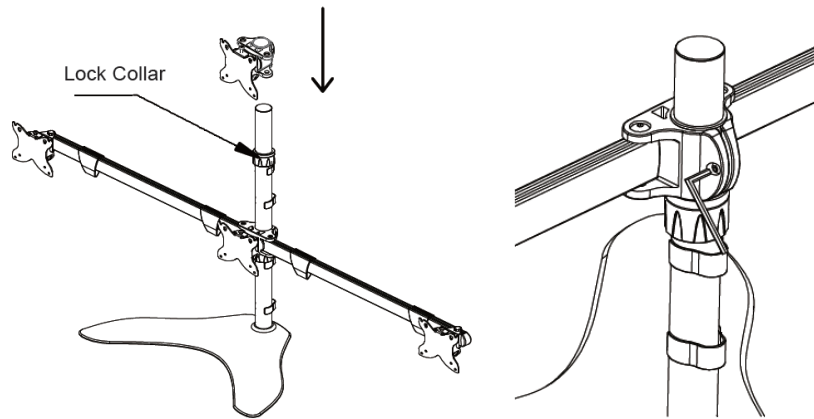
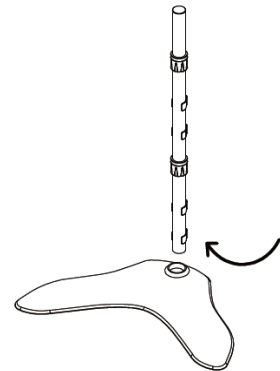
PACKAGE CONTENTS

Please take an inventory of the package contents to ensure you have all the items listed below. If anything is missing or damaged, please contact Monoprice Customer Service for a replacement.

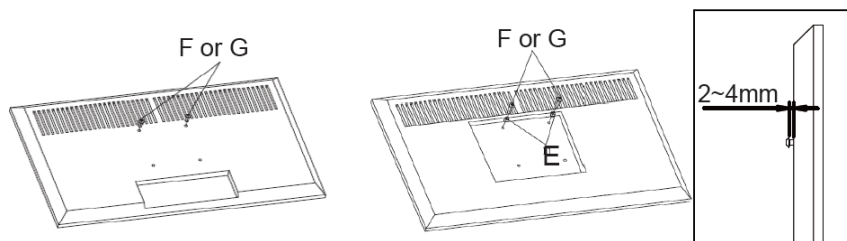
| | |
|--|---|
|  |  |
| <p>A Arm Assembly</p> | <p>B Base</p> |
|  |  |
| <p>C Pole Assembly</p> | <p>D Head Assembly</p> |
|  |  |
| <p>E $\varnothing 8.0 \times \varnothing 5.5 \times 5.0$ mm Bushings (x16)</p> | <p>F Short M4x12 Screws (x16)</p> |
|  |  |
| <p>G Long M4x16 Screws (x16)</p> | <p>H 5mm Hex Wrench</p> |

INSTALLATION

1. Place the **Base (B)** on a desk or table.
2. Insert the **Pole Assembly (C)** into the hole in the base, then turn it clockwise to tighten the connection.
3. Place the **Arm Assembly (A)** and **Head Assembly (D)** onto the **Pole Assembly (C)**, adjust the height as desired, then use the **5mm Hex Wrench (H)** to tighten the screw as shown in the accompanying image. You can also adjust the height by loosening the lock collar and extending the pole assembly up or down as desired.

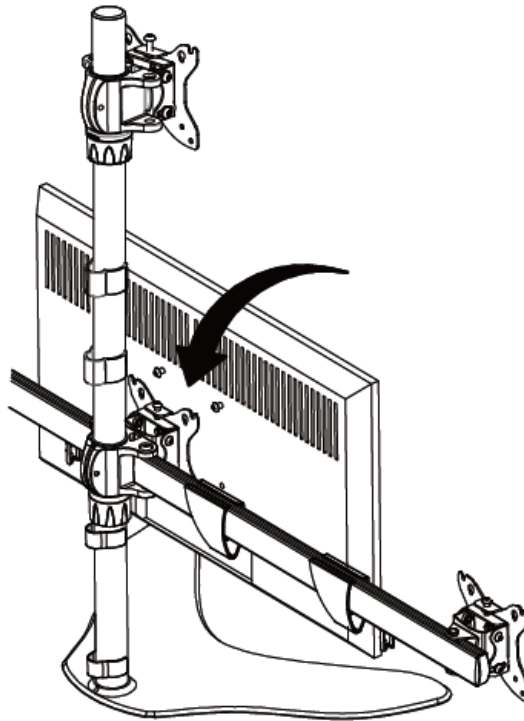


4. Place a towel or blanket on a table or on the floor, then place one of your monitors face down on the towel/blanket.
5. Insert two (2) **Short M4x12 Screws (F)** or **Long M4x16 Screws (G)** into the upper two VESA mounting holes. Tighten them to the point where there is 2-4mm between the back of the monitor and the screw head. If necessary, use the **ø8.0 x ø5.5 x 5.0 mm Bushings (E)** to reduce the space between the screw heads and the back of the monitor.

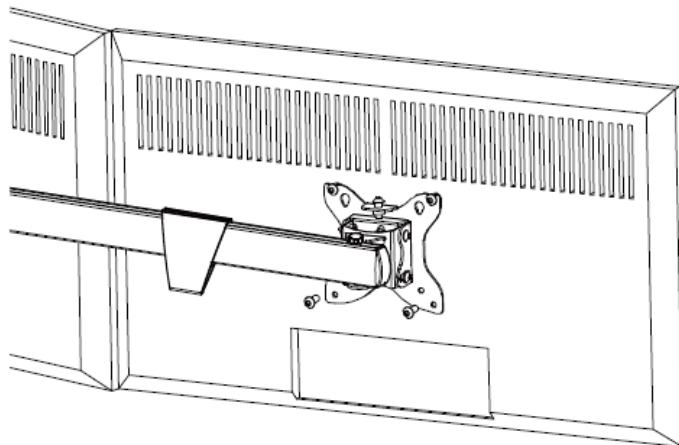


6. Repeat steps 4 and 5 for the other three monitors.

7. Place one of the monitors onto a mounting bracket by placing the extended screws into the grooves on the bracket.

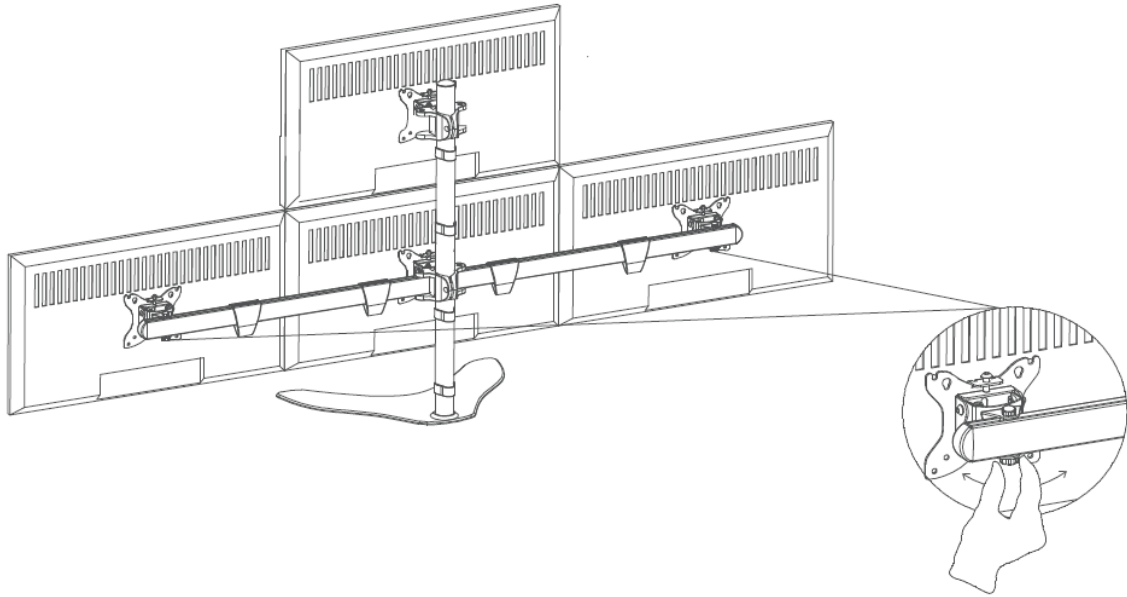


8. Insert two (2) additional **Short M4x12 Screws (F)** or **Long M4x16 Screws (G)** through the bracket into the lower VESA mounting holes. Tighten the screws to secure the bracket to the back of the monitor. Use the **ø8.0 x ø5.5 x 5.0 mm Bushings (E)** as necessary to reduce the space between the screw heads and the back of the monitor.

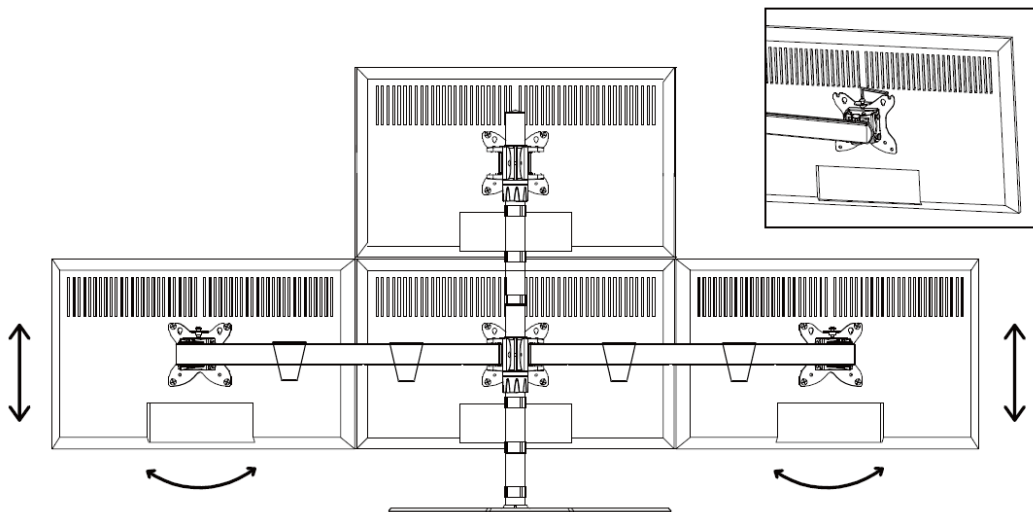


9. Repeat steps 7 and 8 for the other three monitors.

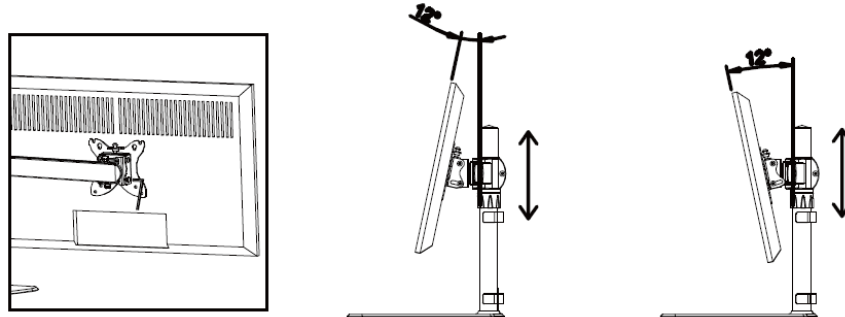
10. Loosen the thumbscrews that hold each bracket to the mounting arm, then slide the monitors and bracket assemblies so that the monitor bezels are almost touching at the center of the desk mount assembly. Tighten the thumbscrews to secure the brackets in place.



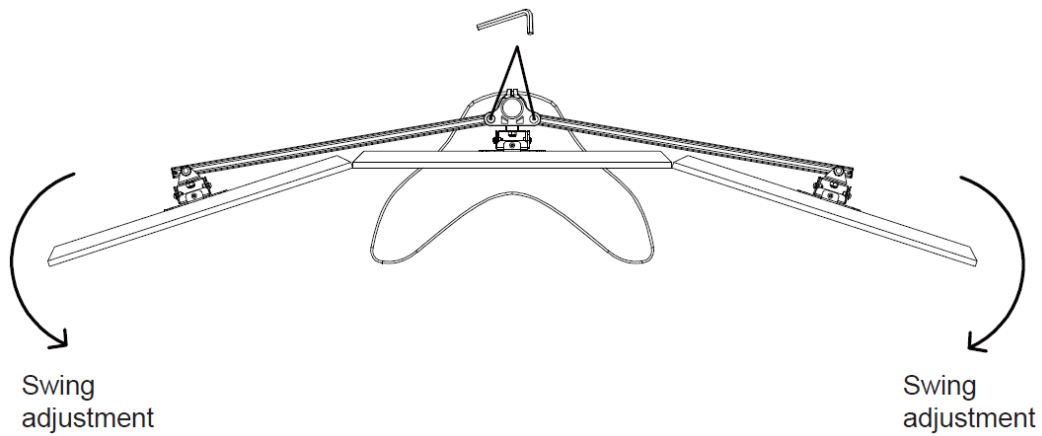
11. If the monitors are not level, use the included **5mm Hex Wrench (H)** to tighten the screw at the top of the lower bracket, thereby raising the bracket's level. To lower the bracket's level, loosen the screw.



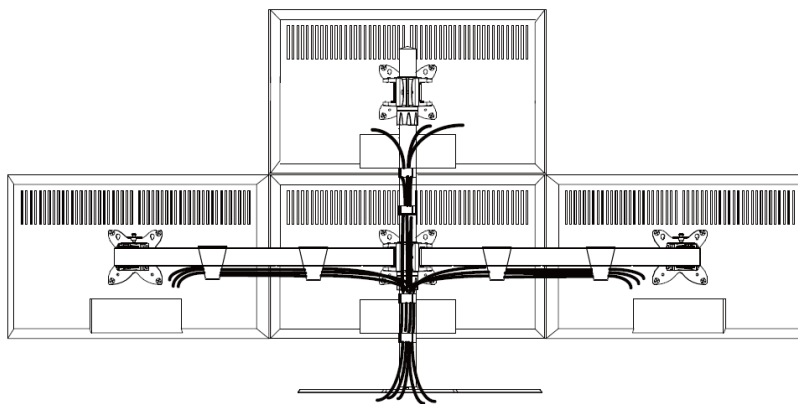
12. To adjust the tilt, first use the included **5mm Hex Wrench (H)** to slightly loosen the two screws on each side of the mounting bracket, adjust the tilt as desired, then tighten the screws to secure the bracket in place.



13. To adjust the monitor angles, use the included **5mm Hex Wrench (H)** to slightly loosen the two screws at the base of the arms, adjust the angle, then tighten the screws to secure the arms in place.



14. Install the cables and use the included cable management clips to keep hold the cables neatly in place.



TECHNICAL SUPPORT

Monoprice is pleased to provide free, live, online technical support to assist you with any questions you may have about installation, setup, troubleshooting, or product recommendations. If you ever need assistance with your new product, please come online to talk to one of our friendly and knowledgeable Tech Support Associates. Technical support is available through the online chat button on our website www.monoprice.com during regular business hours, 7 days a week. You can also get assistance through email by sending a message to tech@monoprice.com

SPECIFICATIONS

| | |
|------------------------------|------------------------------|
| Model | 15708 |
| Number of Supported Monitors | Four (4) |
| Supported TV Sizes | 15" ~ 30" |
| Maximum Supported Weight | 22 lbs. (10 kg) per monitor |
| Supported VESA Sizes | 75 x 75 and 100 x 100 |
| Height Adjustment Range* | 11.2" ~ 29.5" (284 ~ 750 mm) |
| Swivel Adjustment Range | Up to 150° |
| Rotation Adjustment Range | 360° |
| Tilt Adjustment Range | ±12° |

* *The usable height adjustment range depends on the size and number of monitors in use.*

VESA® is a registered trademark of the Video Electronics Standards Association.