

Instruction / Installation Sheet

14" Flush Mount Enclosure with Hinge Door

Part # 80-0014-HC

DATA COMM™
ELECTRONICS

Parts Included:

- Black Grommet with Adhesive Backing
- Four (4) Metal Wood Screws
- Hinge Door with Four (4) Screws
- 14" Enclosure
- Cardboard Overspray Cover

Tools Needed:

- Flat Blade and Phillips Head Screwdrivers
- Drill is optional
- Utility Knife

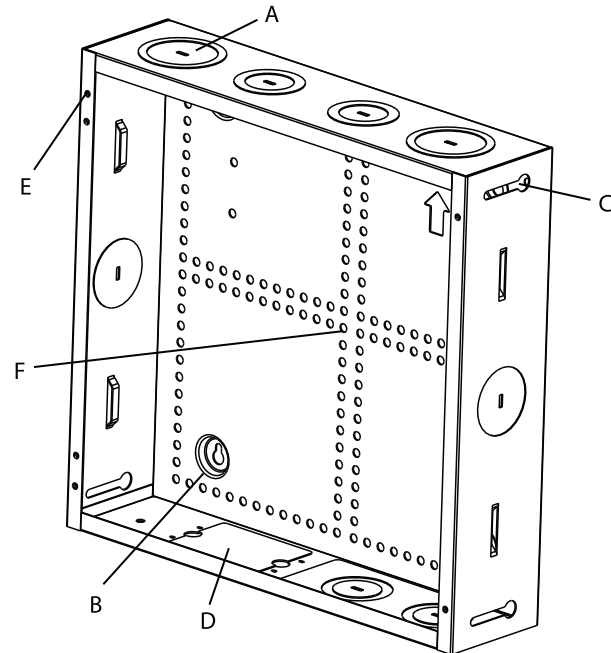
DataComm Electronics, Inc.
6349 Peachtree Street
Norcross, GA 30071-1725
888.223.7977
770.662.8205

www.DataCommElectronics.com

A Cardboard Overspray Cover has been included for optional use during the final stages of construction (or rough in phase). This will protect the enclosure and wiring from dust and paint overspray.

Feature Identification:

- A) Knock-outs for standard sized conduit.
- B) Surface Mounting Holes: use these holes when mounting the enclosure in a surface mounting environment.
- C) Flush Mounting Slots: use these slots when mounting the enclosure in a flush mounting environment.
- D) Knock-out for metal outlet or J-Box (must have UL and/or ETL approval).
- E) Mounting hole for the hinge door.
- F) Industry Standard mounting holes for phone and video modules made by DataComm Electronics and other major manufacturers.



Installation Instructions:

1. Location Selection

Use pre-existing location or find a central location for the enclosure so as to allow equal lengths of wire to be run to locations throughout the home. The location of the enclosure should be in a position where the surrounding temperatures do not exceed 122° F (50° C) or go below 32° F (0° C). Exposure to high humidity levels should be avoided to prevent condensation in the panel. Locate the panel in close proximity to a 110VAC for power requirements of amplifier or security panels. There is an outlet knockout in the bottom of the panel for the installation of an UL and/or ETL approved outlet or J-Box.

NOTE: Have a licensed electrician install the outlet to meet current code requirements.

NOTE: There is no fire rating on this panel, therefore, it should not be installed in fire rated walls.

2. Mounting the Enclosure

- For flush mounting, mount the enclosure on a stud using Metal Wood Screws (allow for thickness of the drywall).
- For surface mounting, screw the enclosure to the wall using Metal Wood Screws. Slots are provided in the four (4) recessed holes in the back of the enclosure for easy surface mounting.

3. Cabling Rough-In

For data, network or other low voltage applications, install appropriate cables from each location leaving enough overage on each end to allow easy installation and mark all cable ends with necessary information. Each cable run should comply with all codes. Good wiring practices should be followed at all times.

NOTE: Place grommets in knockout locations to be used for wire entry into the panel.

4. Grounding

Secure a proper ground between the AC power ground point and the enclosure. A minimum of No. 10, solid conductor, bare copper wire should be used to ground the unit using the green grounding screw on the bottom of the enclosure.

NOTE: Proper grounding of the Telecommunication Enclosure is an electrical safety precaution. Grounding of the unit should be compliant with the National Electric Code (NEC) and verified by a qualified, licensed electrician.

5. Duplex Receptacle Knock-Out (receptacle sold separately, Part #: 80-0050)

- Remove knockout in bottom of the panel.
- Install UL and/or ETL approved receptacle box.
- Run proper wires (according to code) to the receptacle box.
- Install UL and/or ETL approved receptacle rated 125 VAC.
- Install receptacle cover.
- Insure that all work is done by a licensed electrical contractor.

6. Install Hinge Door

To complete the installation place the Hinge Door onto the enclosure. Align the screw holes in the hinges with the mounting holes in the enclosure. Use the included four (4) screws to screw it into place.

CAUTION:

- **Never install low voltage wiring during lightning storms.**
- **Never install low voltage wiring in wet locations unless the wire is specifically designed for wet locations.**
- **Never touch un-insulated low voltage wires or terminals unless the wire has been disconnected at its source.**
- **Do not use this product near water. For example: near a bath tub, wash bowl, kitchen sink, laundry tub, in a wet basement or near a swimming pool.**
- **Consult and comply with local building and electrical codes, before and during installation of any equipment.**
- **Never push objects of any kind into this product through cabinet slots as they may touch dangerous voltages.**
- **Use caution when installing low voltage cables.**
- **Read and understand all instructions.**
- **Save these Instructions.**

NOTE: The 14" Flush Mount Enclosure with Hinge Door is a distribution panel for low voltage wiring systems. It is not designed to be used as an AC power distribution panel. Use only Class 2 powered or passive devices.

ETL LISTED. CONFORMS TO UL STD 1863 ANSI/UL STD 60950-1 CERTIFIED TO CAN/CSA STD C22.2 NO 60950-1

Instruction / Installation Sheet

14" Flush Mount Enclosure with Screw Cover

Part # 80-0014-SC

DATA COMMTM
ELECTRONICS

Parts Included:

- Black Grommet with Adhesive Backing
- Four (4) Metal Wood Screws
- Screw Cover with Four (4) Screws
- 14" Enclosure
- Cardboard Overspray Cover

Tools Needed:

- Flat Blade and Phillips Head Screwdrivers
- Drill is optional
- Utility Knife

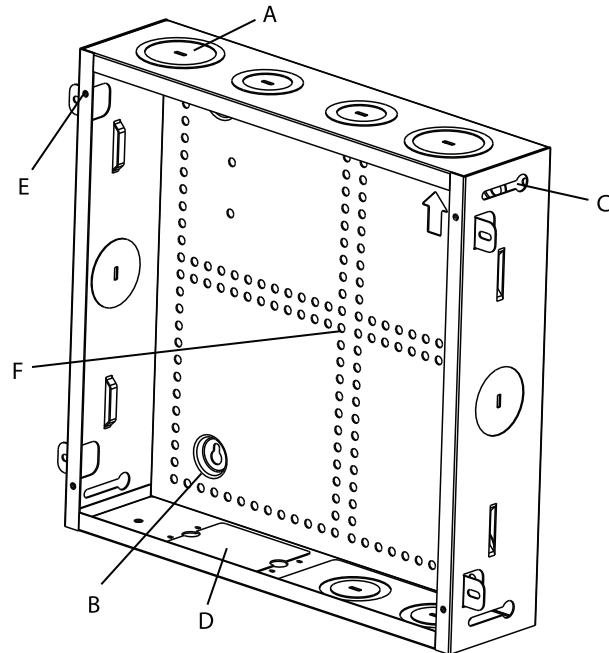
DataComm Electronics, Inc.
6349 Peachtree Street
Norcross, GA 30071-1725
888.223.7977
770.662.8205

www.DataCommElectronics.com

A Cardboard Overspray Cover has been included for optional use during the final stages of construction (or rough in phase). This will protect the enclosure and wiring from dust and paint overspray.

Feature Identification:

- A) Knock-outs for standard sized conduit.
- B) Surface Mounting Holes: use these holes when mounting the enclosure in a surface mounting environment.
- C) Flush Mounting Slots: use these slots when mounting the enclosure in a flush mounting environment.
- D) Knock-out for metal outlet or J-Box (must have UL and/or ETL approval).
- E) Mounting hole for the screw cover.
- F) Industry Standard mounting holes for phone and video modules made by DataComm Electronics and other major manufacturers.



Installation Instructions:

1. Location Selection

Use pre-existing location or find a central location for the enclosure so as to allow equal lengths of wire to be run to locations throughout the home. The location of the enclosure should be in a position where the surrounding temperatures do not exceed 122° F (50° C) or go below 32° F (0° C). Exposure to high humidity levels should be avoided to prevent condensation in the panel. Locate the panel in close proximity to a 110VAC for power requirements of amplifier or security panels. There is an outlet knockout in the bottom of the panel for the installation of an UL and/or ETL approved outlet or J-Box.

NOTE: Have a licensed electrician install the outlet to meet current code requirements.

NOTE: There is no fire rating on this panel, therefore, it should not be installed in fire rated walls.

2. Mounting the Enclosure

- For flush mounting, mount the enclosure on a stud using Metal Wood Screws (allow for thickness of the drywall).
- For surface mounting, screw the enclosure to the wall using Metal Wood Screws. Slots are provided in the four (4) recessed holes in the back of the enclosure for easy surface mounting.

3. Cabling Rough-In

For data, network or other low voltage applications, install appropriate cables from each location leaving enough overage on each end to allow easy installation and mark all cable ends with necessary information. Each cable run should comply with all codes. Good wiring practices should be followed at all times.

NOTE: Place grommets in knockout locations to be used for wire entry into the panel.

4. Grounding

Secure a proper ground between the AC power ground point and the enclosure. A minimum of No. 10, solid conductor, bare copper wire should be used to ground the unit using the green grounding screw on the bottom of the enclosure.

NOTE: Proper grounding of the Telecommunication Enclosure is an electrical safety precaution. Grounding of the unit should be compliant with the National Electric Code (NEC) and verified by a qualified, licensed electrician.

5. Duplex Receptacle Knock-Out (sold separately)

- Remove knockout in bottom of the panel.
- Install UL and/or ETL approved receptacle box.
- Run proper wires (according to code) to the receptacle box.
- Install UL and/or ETL approved receptacle rated 125 VAC.
- Install receptacle cover.
- Insure that all work is done by a licensed electrical contractor.

6. Install Screw Cover

To complete the installation place the Screw-on Cover onto the enclosure. Align the screw holes in the Screw Cover with the mounting holes in the enclosure. Use the included four (4) screws to screw it into place. Use caution not to over tighten the screws, doing so may cause deformation of the Screw Cover.

CAUTION:

- **Never install low voltage wiring during lightning storms.**
- **Never install low voltage wiring in wet locations unless the wire is specifically designed for wet locations.**
- **Never touch un-insulated low voltage wires or terminals unless the wire has been disconnected at its source.**
- **Do not use this product near water. For example: near a bath tub, wash bowl, kitchen sink, laundry tub, in a wet basement or near a swimming pool.**
- **Consult and comply with local building and electrical codes, before and during installation of any equipment.**
- **Never push objects of any kind into this product through cabinet slots as they may touch dangerous voltages.**
- **Use caution when installing low voltage cables.**
- **Read and understand all instructions.**
- **Save these Instructions.**

NOTE: The 14" Flush Mount Enclosure with Screw Cover is a distribution panel for low voltage wiring systems. It is not designed to be used as an AC power distribution panel. Use only Class 2 powered or passive devices.

ETL LISTED. CONFORMS TO UL STD 1863 ANSI/UL STD 60950-1 CERTIFIED TO CAN/CSA STD C22.2 NO 60950-1