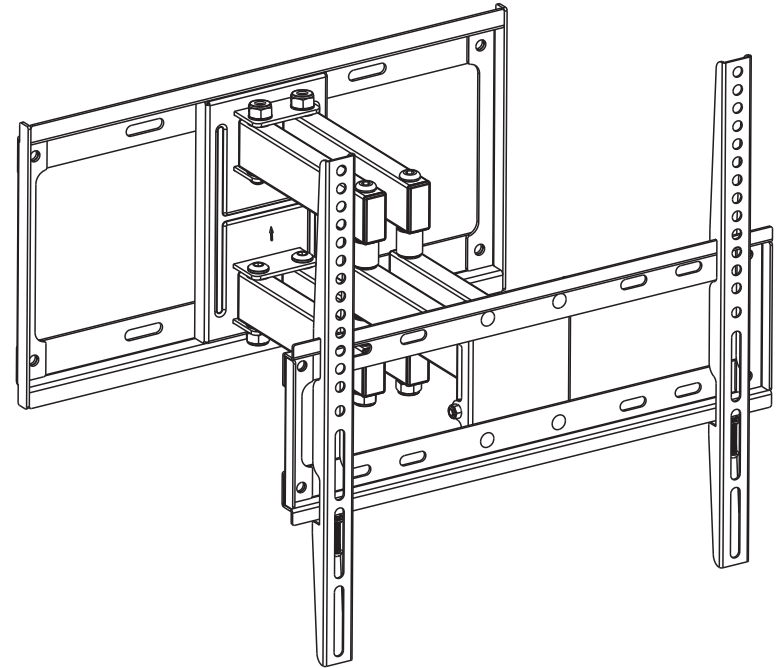


P/N **21959**
User's Manual



www.monoprice.com

Titan Series Dual Stud Dual Arm Full Motion Wall Mount for Medium Displays

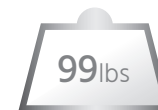
- Read the entire instruction manual before you start installation and assembly. If you have any questions regarding any of the instructions or warnings, please contact your local distributor for assistance.
- CAUTION:** Use with products heavier than the rated weights indicated may result in instability causing possible injury.
- Mounts must be attached as specified in assembly instructions. Improper installation may result in damage or serious personal injury.
 - Safety gear and proper tools must be used. This product should only be installed by professionals.
 - This product is designed to be installed **only** on solid concrete walls or brick walls.
 - Make sure that the supporting surface will safely support the combined weight of the equipment and all attached hardware and components.
 - Use the mounting screws provided and **DO NOT OVER TIGHTEN** mounting screws
 - This product contains small items that could be a choking hazard if swallowed. Keep these items away from children.
 - This product is intended for indoor use only. Using this product outdoors could lead to product failure and personal injury.
- IMPORTANT:** Ensure that you have received all parts according to the component checklist prior to installation. If any parts are missing or faulty, telephone your local distributor for a replacement.
- MAINTENANCE:** Check that the bracket is secure and safe to use at regular intervals (at least every three months).



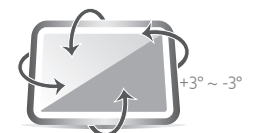
200x200, 300x200
300x300, 400x200
400x300, 400x400



55" Max



99 lbs (45kg)
Rated



+2° ~ -18°
+3° ~ -3°

- Product pictures are for reference only.
- Specifications described herein are subject to change without prior notification.
- All trademarks are the sole property of their respective companies.
- Copyright © 2017 Monoprice, Inc. All rights reserved.

