

MONOPRICE

27" WQHD 144Hz Ultra Slim Aluminum Monitor
with FreeSync™



P/N 24657

User's Manual

SAFETY WARNINGS AND GUIDELINES

Please read this entire manual before using this device, paying extra attention to these safety warnings and guidelines. Please keep this manual in a safe place for future reference.

- This monitor is intended for indoor use only.
- Do not expose this monitor to water or moisture of any kind. Do not place drinks or other containers with moisture on or near the device. If moisture does get in or on the device, immediately unplug it from the power outlet and allow it to fully dry before reapplying power.
- Do not touch the monitor, the power cord, or any other connected cables with wet hands.
- Do not subject the monitor to extreme force, shock, or fluctuations in temperature or humidity.
- Do not expose this monitor to excessively high temperatures. Do not place it in, on, or near heat sources, such as a fireplace, stove, radiator, etc. Do not leave it in direct sunlight.
- Prior to operation, check the unit and power cord for physical damage. Do not use if physical damage has occurred.
- Take care to prevent damage to the power cord. Do not allow it to become crimped, pinched, walked on, or become tangled with other cords. Ensure that the power cord does not present a tripping hazard.
- Ensure that power is turned off and disconnected before making any electrical connections.
- Clean using a soft, dry cloth only. Do not use chemical cleaners, solvents, or detergents. For stubborn deposits, moisten the cloth with warm water.
- This monitor has no user serviceable parts. Do not open the case or otherwise attempt to modify this monitor.
- Do not leave a single image on the display for a long period of time. Doing so could cause "burn-in" of the image.

CUSTOMER SERVICE

The Monoprice Customer Service department is dedicated to ensuring that your ordering, purchasing, and delivery experience is second to none. If you have any problem with your order, please give us an opportunity to make it right. You can contact a Monoprice Customer Service representative through the Live Chat link on our website www.monoprice.com during normal business hours (Mon-Fri: 5am-7pm PT, Sat-Sun: 9am-6pm PT) or via email at support@monoprice.com

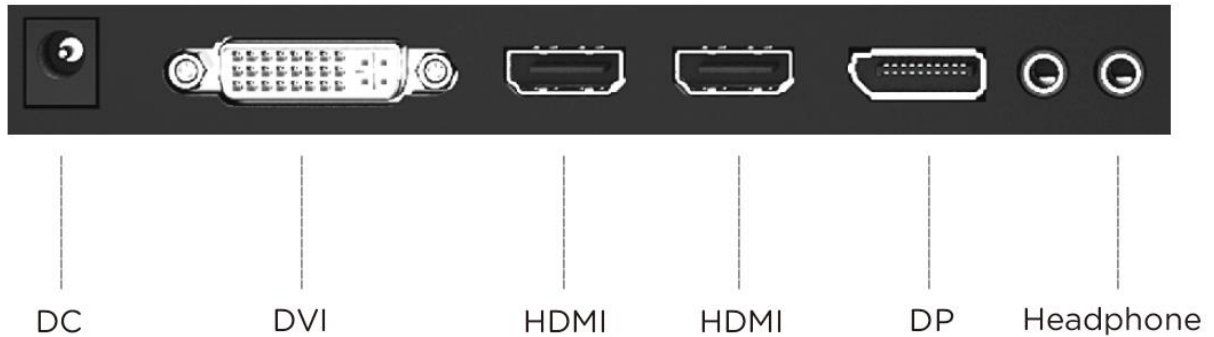
PACKAGE CONTENTS

Please take an inventory of the package contents to ensure you have all the items listed below. If anything is missing or damaged, please contact Monoprice Customer Service for a replacement.

- 1x 27" Monitor
- 1x Stand Neck
- 1x Stand Base
- 3x M4x10 Screws
- 3x M4x6 Screws
- 1x High Speed HDMI® Cable
- 1x AC Power Adapter
- 1x AC Power Cord
- 1x User's Manual

PRODUCT OVERVIEW

Rear Panel



Controls

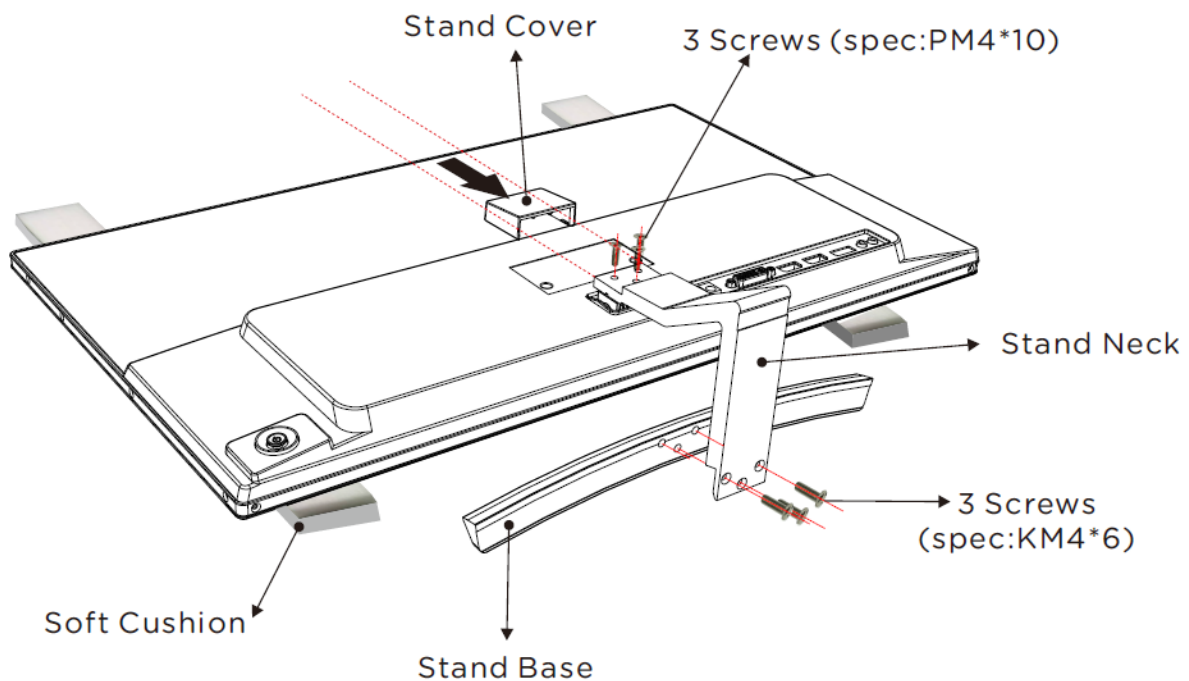


1. **Power:** Press the joystick in to turn the monitor on or to put it into standby mode.
2. **Menu:** Push the joystick up to display the OSD menu. If the menu is displayed, push the joystick up to select or edit the highlighted entry. If editing an entry, push the joystick up to save the changes.
3. **Left:** If the OSD menu is displayed, push the joystick to the left to move the highlight down. If editing an entry, push the joystick to the left to decrease the value or to cycle back through the available options.
4. **Exit:** If the OSD menu is displayed, push the joystick down to exit to the previous menu. If at the top menu, push the joystick down to exit the OSD menu. If editing an entry, push the joystick down to cancel the editing and restore the previous value.

5. **Right:** If the OSD menu is displayed, push the joystick to the right to move the highlight up. If editing an entry, push the joystick to the right to increase the value or to cycle forward through the available options.

STAND ASSEMBLY

To conserve space in the packaging, the stand is shipped in two parts. First, place a towel or blanket on a flat surface to serve as a cushion, then place the monitor face down on the cushion. Use the included M4x6 screws to attach the Stand Base to the Stand Neck, then use the included M4x10 screws to attach the Stand Assembly to the monitor.



OSD MENU SYSTEM

Picture Menu

Brightness: Adjusts the overall screen brightness. The adjustment range is from **0-100** in 1 point increments.

Contrasts: Adjusts the amount of contrast between the bright and dark areas of the image. The adjustment range is from **0-100** in 1 point increments.

Sharpness: Adjusts the amount of edge enhancement on the image. The adjustment range is **0-4** in 1 point increments.

Aspect Ratio: Adjusts the image aspect ratio. The available options are **Full, 16:9, 4:3,** and **1:1**. The Full option uses the aspect ratio output by the connected video source, while the other three options force the individual aspect ratios.

Ultra Vivid: Adjusts the amount of color saturation in use. The available options are **Off, High, Middle,** and **Low**.

DCR: Enables or disable the Dynamic Contrast Ratio feature, which uses the image backlighting to artificially increase overall image contrast. DCR is not well suited for use with fast moving images found in action movies and video games.

Color Menu

Color Effects: Selects one of the image color presets designed for use with different applications. The available options are **Standard, FPS, RAC, RTS,** and **Movie**. The FPS, RAC, and RTS options are designed for gaming with First Person Shooters, Racing games, and Real Time Strategy games.

Saturation: Adjust the amount of color saturation. The adjustment range is **0-100** in 1 point increments.

Gamma: Selects one of the available gamma options. The available options are **Off, 1.8, 2.0, 2.2,** and **2.4**.

Temperature: Selects one of the color temperature values. The available options are **9300, 7500, 6500, 5400, sRGB,** and **User**.

R: Adjusts the amount of red color in the image. The adjustment range is **0-255** in 1 point increments.

G: Adjusts the amount of green color in the image. The adjustment range is **0-255** in 1 point increments.

B: Adjusts the amount of blue color in the image. The adjustment range is **0-255** in 1 point increments.

Advance Menu

Volume: Adjusts the volume level. The adjustment range is **0-100** in 1 point increments.

Mute: Enables or disables audio muting. The available options are **On** and **Off**.

Over Drive: Adjusts how quickly the monitor is able to switch colors for anti-ghosting purposes. The available options are **On** and **Off**.

Free Sync: Enables or disables the FreeSync™ feature, which uses a dynamic refresh rate aimed at reducing screen tearing. The available options are **On** and **Off**.

Low Blue Ray: Adjusts the amount of blue light contained in the image. The available options are **Off, Low, Middle,** and **High**.

Los: The available options are **Off, Los 1, Los 2,** and **Los 3**.

OSD Menu

Language: Selects one of the available languages for the OSD menu system. The available languages are **English, Chinese, Korean, French, German, Spanish, Russian, Dutch,** and **Italian**.

Menu Time: Adjusts the amount of time the OSD menu will remain on screen with no button activation. The adjustment range is **10-60** seconds in 1 second intervals.

OSD H Position: Sets the horizontal position of the OSD menu on the screen. The adjustment range is **0-100** in 1 point increments.

OSD V Position: Sets the vertical position of the OSD menu on the screen. The adjustment range is **0-100** in 1 point increments.

Transparency: Adjusts the amount of transparency in the OSD menu. The adjustment range is **0-255** in 1 point increments.

Reset: Resets all monitor settings to the factory default values.

Information Menu

This screen displays the firmware version, active input, screen resolution, horizontal frequency, and pixel clock.

TECHNICAL SUPPORT

Monoprice is pleased to provide free, live, online technical support to assist you with any questions you may have about installation, setup, troubleshooting, or product recommendations. If you ever need assistance with your new product, please come online to talk to one of our friendly and knowledgeable Tech Support Associates. Technical support is available through the online chat button on our website www.monoprice.com during regular business hours, 7 days a week. You can also get assistance through email by sending a message to tech@monoprice.com

SPECIFICATIONS

Model	24657
Maximum Resolution	2560 x 1440
Pixel Pitch	0.2331 x 0.2331 mm
DisplayPort Version	1.2a
HDMI® Version	2.0
Maximum Vertical Frequency	144Hz
Operating Temperature	+32 ~ +122°F (0 ~ +50°C)
Storage Temperature	-4 ~ +140°F (-20 ~ +60°C)
Operating Humidity	10~ 85% RH, non-condensing

REGULATORY COMPLIANCE

Notice for FCC



Modifying the equipment without Monoprice's authorization may result in the equipment no longer complying with FCC requirements for Class B digital devices. In that event, your right to use the equipment may be limited by FCC regulations, and you

may be required to correct any interference to radio or television communications at your own expense.

This equipment has been tested and found to comply with the limits for a Class B digital device, pursuant to Part 15 of the FCC Rules. These limits are designed to provide reasonable protection against harmful interference in a residential installation. This equipment generates, uses and can radiate radio frequency energy and, if not installed and used in accordance with the instructions, may cause harmful interference to radio communications. However, there is no guarantee that interference will not occur in a particular installation. If this equipment does cause harmful interference to radio or television reception, which can be determined by turning the equipment off and on, the user is encouraged to try to correct the interference by one or more of the following measures:

- Reorient or relocate the receiving antenna.
- Increase the separation between the equipment and receiver.
- Connect the equipment into an outlet on a circuit different from that to which the receiver is connected.
- Consult the dealer or an experienced radio/TV technician for help.

Notice for Industry Canada

This Class B digital apparatus complies with Canadian ICES-003.

Cet appareil numérique de la classe B est conforme à la norme NMB-003 du Canada.

HDMI, the HDMI Logo, and High-Definition Multimedia Interface are trademarks or registered trademarks of HDMI Licensing LLC in the United States and other countries.

AMD® and FreeSync™ are trademarks of Advanced Micro Devices, Inc. in the United States and/or other jurisdictions.