

# **MONOPRICE**

**Blackbird™ 4x1 HDMI® Switch with Multiview**

P/N 24740

**User's Manual**

# SAFETY WARNINGS AND GUIDELINES

Please read this entire manual before using this device, paying extra attention to these safety warnings and guidelines. Please keep this manual in a safe place for future reference.

- This device is intended for indoor use only.
- Do not expose this device to water or moisture of any kind. Do not place drinks or other containers with moisture on or near the device. If moisture does get in or on the device, immediately unplug it from the power outlet and allow it to fully dry before reapplying power.
- Do not touch the device, the power cord, or any other connected cables with wet hands.
- Do not expose this device to excessively high temperatures. Do not place it in, on, or near heat sources, such as a fireplace, stove, radiator, etc. Do not leave it in direct sunlight.
- This device ventilates excessive heat through the slots and openings in the case. Do not block or cover these openings. Ensure that the device is in an open area where it can get sufficient airflow to keep from overheating.
- Do not place or install this device in an area where it can be exposed to excessive amounts of dust, humidity, oil, smoke, or combustible vapors.
- Prior to operation, check the unit and power cord for physical damage. Do not use if physical damage has occurred.
- Before plugging the unit into a power outlet, ensure that the outlet provides the same type and level of power required by the device.
- Unplug this device from the power source when not in use.
- Take care to prevent damage to the power cord. Do not allow it to become crimped, pinched, walked on, or become tangled with other cords. Ensure that the power cord does not present a tripping hazard.
- Never unplug the unit by pulling on the power cord. Always grasp the connector head or adapter body.

- Ensure that power is turned off and disconnected before making any electrical connections.
- Clean using a soft, dry cloth only. Do not use chemical cleaners, solvents, or detergents. For stubborn deposits, moisten the cloth with warm water.
- This device has no user serviceable parts. Do not attempt to open, service, or modify this device.

## INTRODUCTION

Thank you for purchasing this Blackbird™ 4x1 HDMI® Switch with Multiview! This switch features four HDMI inputs and a single HDMI output. It supports video resolutions up to 1080p@60Hz and supports multichannel, high-definition audio. It includes five display modes, three of which can display all four inputs at the same time. It can be controlled using the front panel buttons, the included IR remote control, or RS232 computer control.

## FEATURES

- Includes four HDMI® inputs and one HDMI output
- Supports video resolutions up to 1080p@60Hz
- Features five display modes, three of which show all four inputs on screen at the same time
- Supports multichannel, high-definition audio
- Includes front panel, IR remote control, and RS232 control options
- Complies with the HDMI version 1.4b specification

## CUSTOMER SERVICE

The Monoprice Customer Service department is dedicated to ensuring that your ordering, purchasing, and delivery experience is second to none. If you have any problem with your order, please give us an opportunity to make it right. You can contact a Monoprice Customer Service representative through the Live Chat link on our website [www.monoprice.com](http://www.monoprice.com) during normal business hours (Mon-Fri: 5am-7pm PT, Sat-Sun: 9am-6pm PT) or via email at [support@monoprice.com](mailto:support@monoprice.com)

## PACKAGE CONTENTS

Please take an inventory of the package contents to ensure you have all the items listed below. If anything is missing or damaged, please contact Monoprice Customer Service for a replacement.

1x 4x1 HDMI® switch with multiview

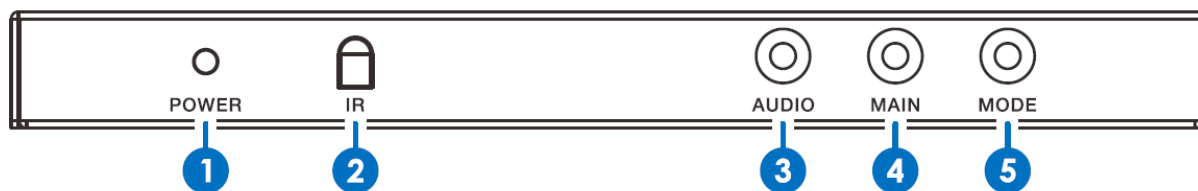
1x IR remote control

1x AC power adapter

1x User's manual

## PRODUCT OVERVIEW

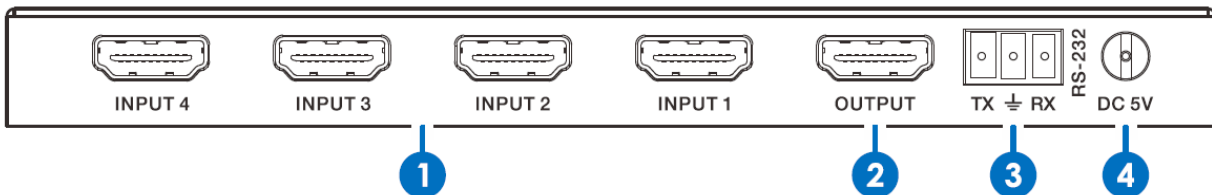
### Front Panel



1. **POWER:** The LED illuminates when power is applied.
2. **IR:** IR "eye" for receiving signals from the included IR remote control.
3. **AUDIO:** Press the button to cycle the audio through the inputs or to turn it off.

4. **MAIN:** Press the button to select the video source.
5. **MODE:** Press the button to cycle through the five display modes.

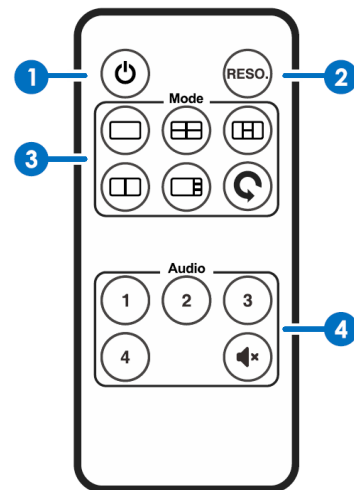
## Rear Panel



1. **INPUT:** HDMI® ports for connecting up to four video source devices.
2. **OUTPUT:** HDMI port for connecting the video display.
3. **RS-232:** 3-pin terminal block for connecting to a computer for RS232 control.
4. **DC 5V:** DC barrel connector for connecting the included AC power adapter.

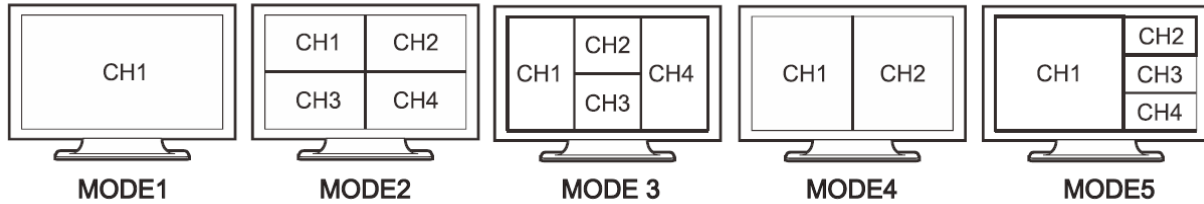
## IR Remote Control

1. **Power:** Press the button to turn the unit on or to put it into standby mode.
2. **RESO.:** Press the button to switch the output resolution between 720p and 1080p.
3. **Mode:** Press one of the five display buttons to set the display mode. Pressing the last button causes the unit to continuously cycle through the five display modes.
4. **Audio:** Press a button to select which of the four inputs is the audio source or to mute audio.



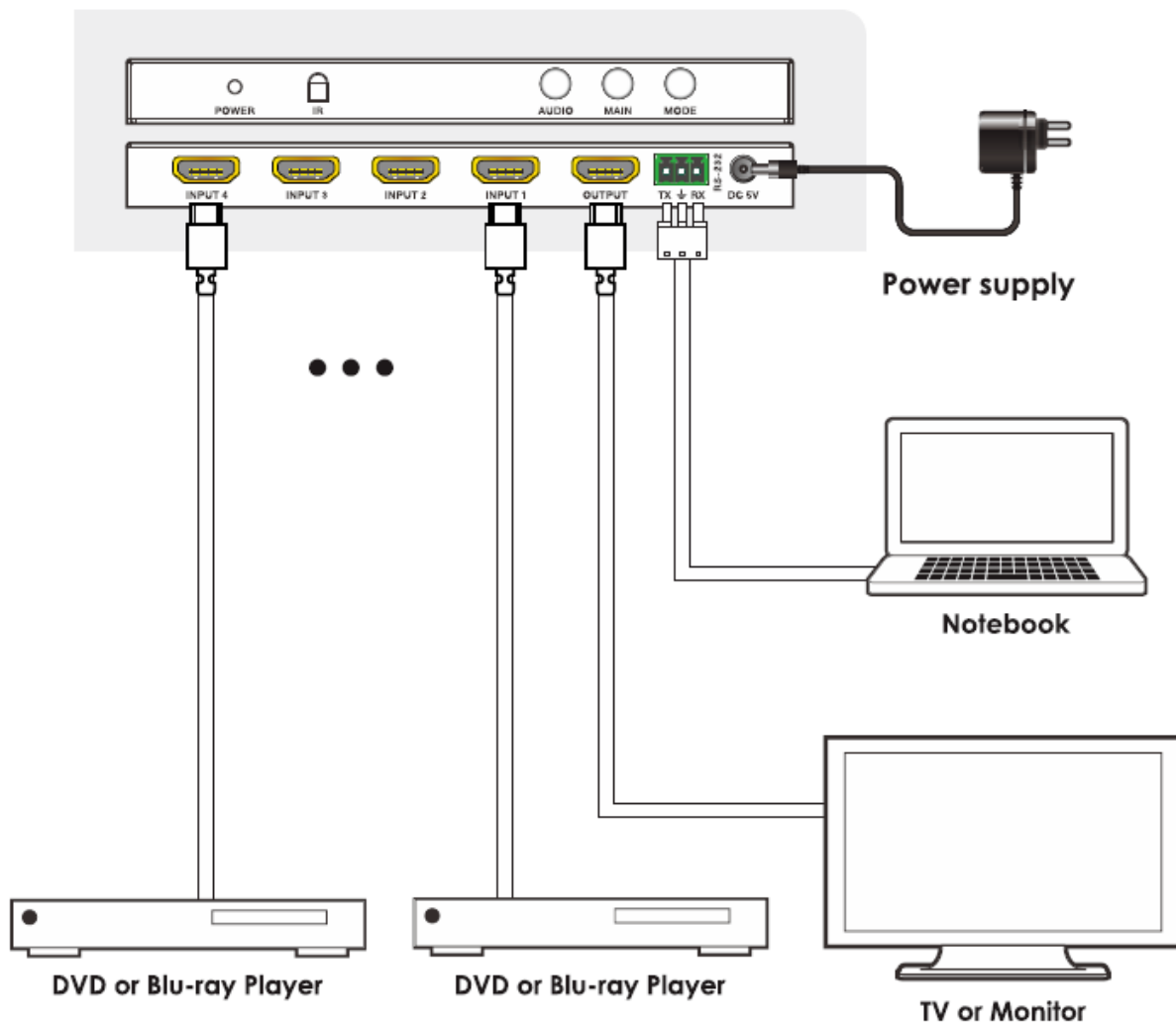
# DISPLAY MODES

This switch feature five display modes, arranged as shown below.



1. Mode 1 displays one of the four video inputs. Press the **MAIN** button on the front panel to cycle through the four inputs. The cycle order is INPUT 1 > INPUT 2 > INPUT 3 > INPUT 4 > INPUT 1, etc.
2. Mode 2 displays all four video inputs in equal sized screen quadrants.
3. Mode 3 displays all four video inputs, with INPUTS 1 and 4 occupying more screen space than INPUTS 2 and 3.
4. Mode 4 displays two of the four video inputs. Press the **MODE** button on the front panel to switch between displaying INPUTS 1 and 2 and INPUTS 3 and 4.
5. Mode 5 displays all four inputs, with one input occupying more screen space than the others. Press the **MODE** button on the front panel to select which of the four inputs is displayed in the larger portion of the screen.

## SAMPLE CONNECTION DIAGRAM



## INSTALLATION

Perform the following steps to install this switch.

1. Ensure that all equipment to be connected is powered off and unplugged from its power source.
2. Place or mount the switch in its intended location.
3. Using a High Speed HDMI® Cable (not included), plug one end into the HDMI input on your display, then plug the other end into the **OUTPUT** port on the switch.

4. Using a High Speed HDMI® Cable (not included), plug one end into one of the **INPUTS** on the switch, then plug the other end into the output on your video source device. Repeat for up to three additional source devices.
5. (Optional) If you want to control the switch with your computer via an RS232 connection, construct a serial control cable, then plug one end into your computer's serial port and the other end into the **RS-232** terminal block on the switch.
6. Plug the DC barrel connector on the included AC power adapter into the **DC 5V** jack on the switch, then plug the adapter into a nearby AC power outlet.
7. Plug in and power on all connected equipment. Start video playback on all four source device. Press the **MODE** button on the front panel to put the switch into MODE 2. Alternatively, press the button on the remote control corresponding to MODE 2. Verify that the video from each of the four sources is displayed on screen.

## TECHNICAL SUPPORT

Monoprice is pleased to provide free, live, online technical support to assist you with any questions you may have about installation, setup, troubleshooting, or product recommendations. If you ever need assistance with your new product, please come online to talk to one of our friendly and knowledgeable Tech Support Associates. Technical support is available through the online chat button on our website [www.monoprice.com](http://www.monoprice.com) during regular business hours, 7 days a week. You can also get assistance through email by sending a message to [tech@monoprice.com](mailto:tech@monoprice.com)



## SPECIFICATIONS

Model	24740
Inputs	4x HDMI®
Outputs	1x HDMI
Maximum Video Resolution	1080p@60Hz
Video Bandwidth	6.75 Gbps
Color Depth	12-bits/channel (36-bits total)
Color Spaces	RGB, YCbCr 4:4:4, YCbCr 4:2:2
HDMI Version	1.4b
Input Power	5 VDC, 2A
AC Adapter Input Power	100 ~ 240 VAC, 50/60 Hz
Maximum Power Consumption	6 watts
Operating Temperature	+32 ~ +104°F (0 ~ +40°C)
Storage Temperature	-4 ~ +140°F (-20 ~ +60°C)
Operating Humidity	20 ~ 90% RH, non-condensing
Dimensions	6.3" x 3.3" x 0.6" (160 x 84 x 16 mm)
Weight	11.9 oz. (337 g)

## REGULATORY COMPLIANCE

### Notice for FCC



Modifying the equipment without Monoprice's authorization may result in the equipment no longer complying with FCC requirements for Class B digital devices. In that event, your

right to use the equipment may be limited by FCC regulations, and you may be required to correct any interference to radio or television communications at your own expense.

This equipment has been tested and found to comply with the limits for a Class B digital device, pursuant to Part 15 of the FCC Rules. These limits are designed to provide reasonable protection against harmful interference in a residential installation. This equipment generates, uses and can radiate radio frequency energy and, if not installed and used in accordance with the instructions, may cause harmful interference to radio communications. However, there is no guarantee that interference will not occur in a particular installation. If this equipment does cause harmful interference to radio or television reception, which can be determined by turning the equipment off and on, the user is encouraged to try to correct the interference by one or more of the following measures:

- Reorient or relocate the receiving antenna.
- Increase the separation between the equipment and receiver.
- Connect the equipment into an outlet on a circuit different from that to which the receiver is connected.
- Consult the dealer or an experienced radio/TV technician for help.

## **Notice for Industry Canada**

This Class B digital apparatus complies with Canadian ICES-003.

Cet appareil numérique de la classe B est conforme à la norme NMB-003 du Canada.

*Blackbird™ is a trademark of Monoprice Inc.*

*HDMI®, the HDMI Logo, and High-Definition Multimedia Interface are trademarks or registered trademarks of HDMI Licensing LLC in the United States and other countries.*