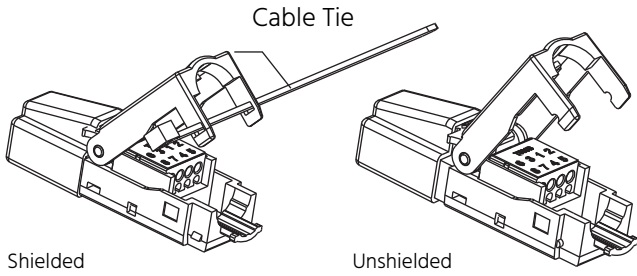


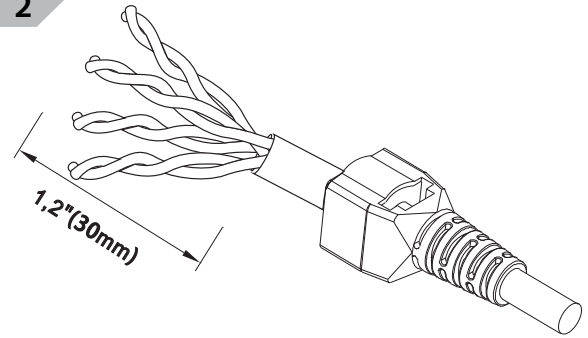
INSTALLATION GUIDE

STEP 1



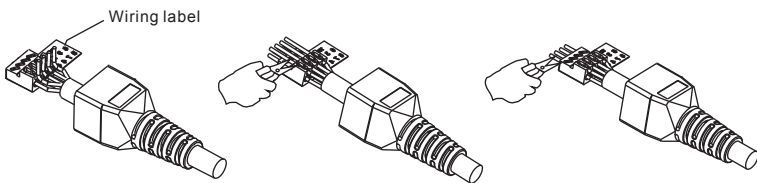
Remove the cable tie before installation.

STEP 2



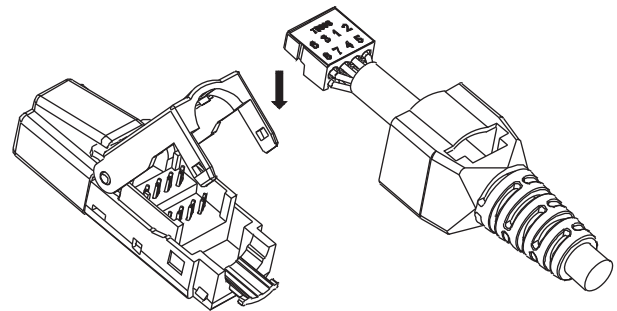
Insert the cable into the strain relief boot, then strip off 30mm of the cable jacket and fold back the braided and drain wires.

STEP 3



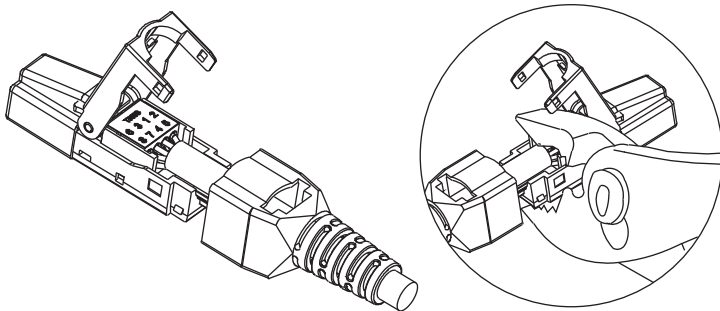
Fan out all four twisted wire pairs, and allocate each conductor into the proper slot following the color coding on the wires and wiring cap, then trim the ends of the conductors.

STEP 4



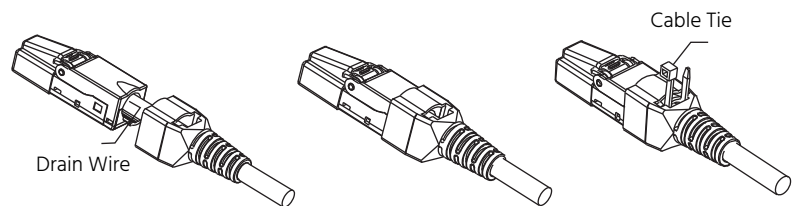
Place the wiring cap onto the plug

STEP 5



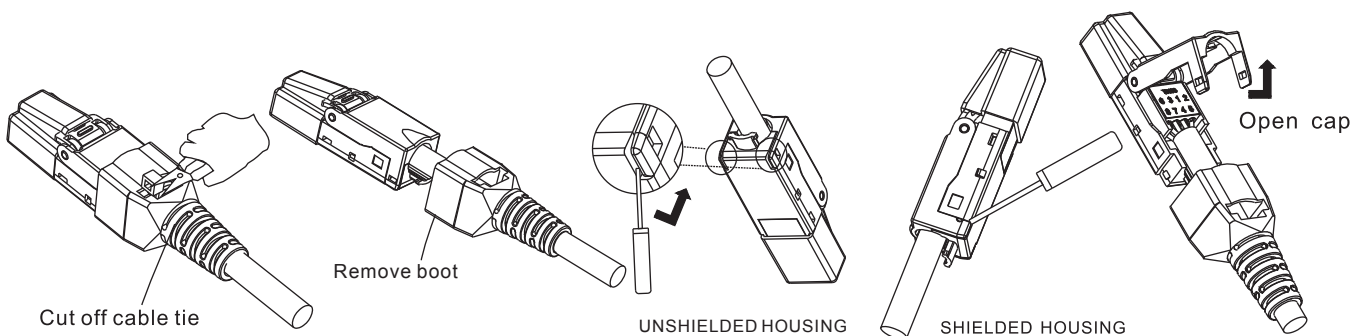
Use pliers to clamp the wiring cap closed until it completely snaps in to complete the connection.

STEP 6



Close the plug cover and make sure the drain wire is in proper contact with the grounding clip. Pull back the strain relief boot to cover the plug and fasten the supplied cable tie to secure grounding contact.

Unloading the Cable



Cut off the cable tie, and remove the boot. Using a flat screw driver, gently pry open the plug cover one end at a time.