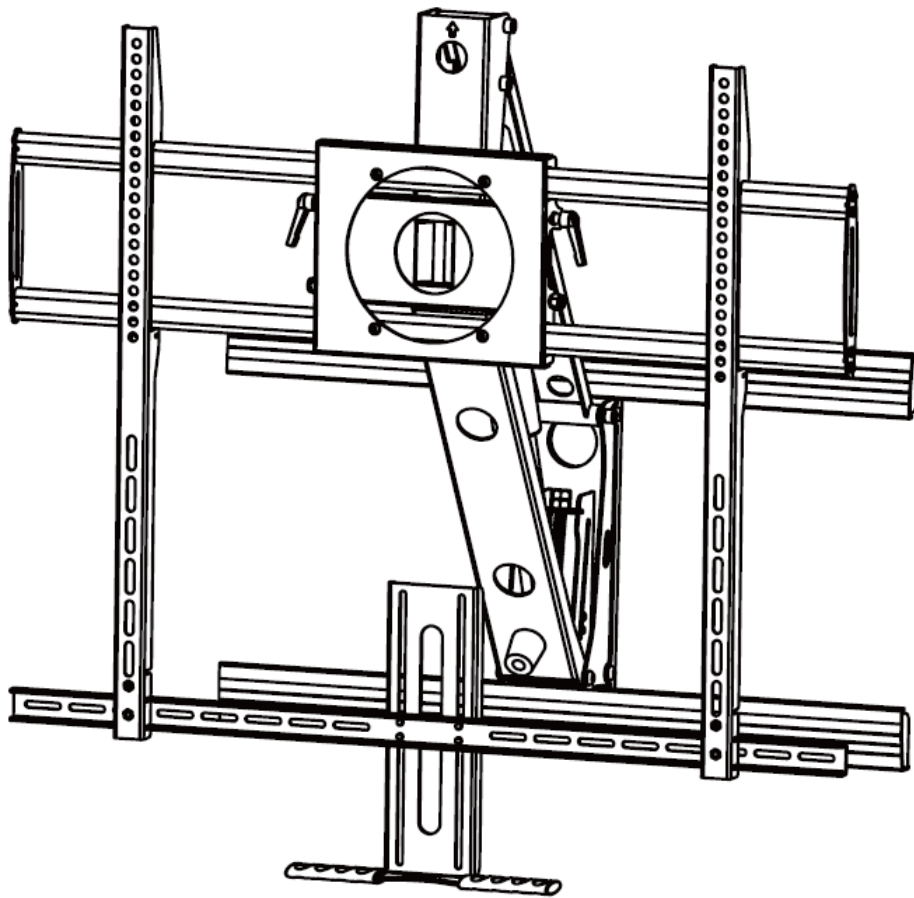


MONOPRICE

Above Fireplace Pull-Down Full-Motion TV Wall Mount



P/N 27773

User's Manual

CONTENTS

SAFETY WARNINGS AND GUIDELINES 3

INTRODUCTION.....4

FEATURES.....4

CUSTOMER SERVICE.....4

PACKAGE CONTENTS 5

REQUIRED TOOLS..... 9

PRODUCT DIMENSIONS10

INSTALLATION CONSIDERATIONS..... 11

INSTALLATION.....12

SPECIFICATIONS..... 22

SAFETY WARNINGS AND GUIDELINES

- The maximum temperature at the front of the fireplace mantle should never be more than 110°F (43°C).
- The fireplace mantle should not extend more than 16" (406mm) from the mounting surface.
- This mount can support displays weighing between 40 ~ 154 lbs. (18 ~ 70 kg).
- The mounting surface should be a wood stud frame wall with studs spaced no more than 16" (406mm) apart. The wall must not exceed 5/8" (16mm) thick.
- Ensure that the mounting surface is capable of supporting the combined weight of the mount and any mounted display.
- This mount should only be installed by persons with a basic knowledge of building construction and installations.
- This bracket should only be installed by two people. Do not attempt to install it by yourself.
- If mounting to a wall of wood stud construction, ensure that mounting bolts are anchored in the center of the studs. When installing the TV mount on a concrete wall, the wall must be at least 8.0" (203mm) thick with a minimum compressive strength from 2500 to 3000 psi (17.2 to 20.7 Mpa) and must meet the ASTM C39 specification. When installing the TV mount on a cinder block wall, the cinder blocks must meet the ASTM C216 specifications and have a minimum nominal width of 8.0" (203mm). Be sure to mount it in a solid part of the block, generally 1" (25mm) minimum from the side of the block. Do not drill into mortar joints! If plaster/dry wall is thicker than 5/8" (16mm), custom fasteners must be supplied by the installer. Note that hardware and instructions are provided for installation to wood stud walls only.

INTRODUCTION

Mount your television conveniently above your fireplace using this Above Fireplace Mount. It is capable of supporting televisions with VESA patterns from 200x200 and 800x600 and weighing between 40 ~ 154 lbs. (18 ~ 70 kg). The mount allows you to keep the TV safely up and out of the way when not in use, then you can pull it down to eye level for comfortable viewing.

FEATURES

- Designed for flat screen televisions from 55" ~ 100"
- Supports televisions weighing between 40 ~ 154 lbs. (18 ~ 70 kg)
- Supports VESA mounting patterns between 200x200 and 800x600
- Designed to mount to wood stud frame wall above the fireplace mantle
- Television can be pulled down to eye level for comfortable viewing
- Full motion mount allows for $\pm 30^\circ$ swivel, $\pm 5^\circ$ rotation, and $+15^\circ/-3^\circ$ tilt

CUSTOMER SERVICE

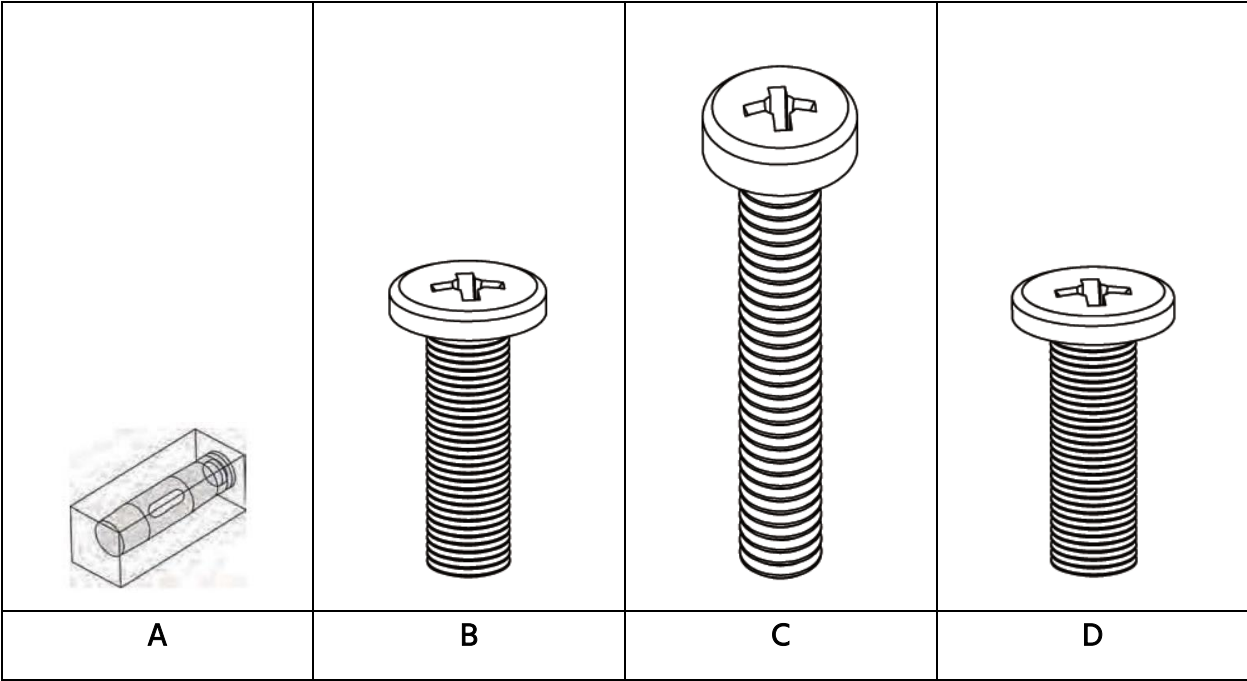
The Monoprice Customer Service department is dedicated to ensuring that your ordering, purchasing, and delivery experience is second to none. If you have any problem with your order, please give us an opportunity to make it right. You can contact a Monoprice Customer Service representative through the Live Chat link on our website www.monoprice.com during normal business hours (Mon-Fri: 5am-7pm PT, Sat-Sun: 9am-6pm PT) or via email at support@monoprice.com

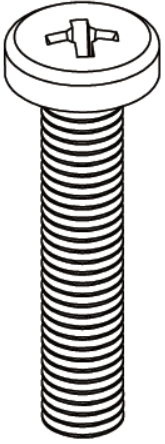
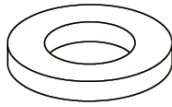
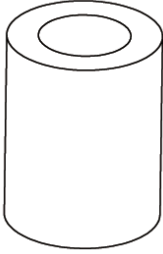
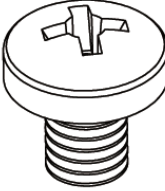
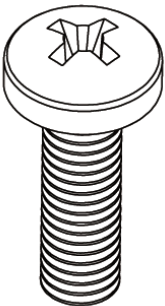
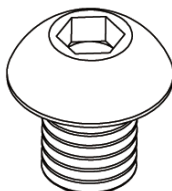
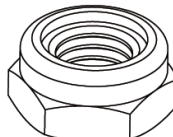

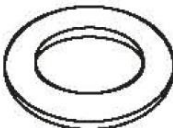

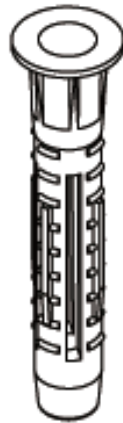
PACKAGE CONTENTS

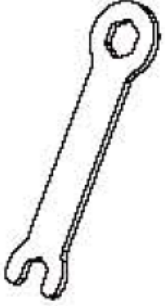




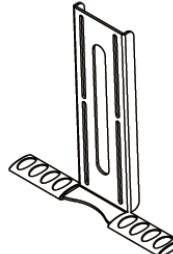

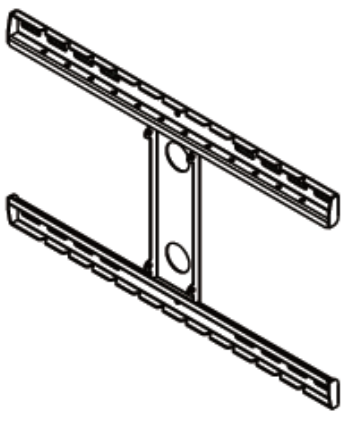
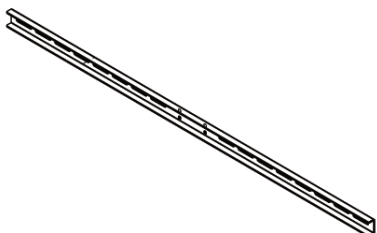
Please take an inventory of the package contents to ensure you have all the items listed below. If anything is missing or damaged, please contact Monoprice Customer Service for a replacement.

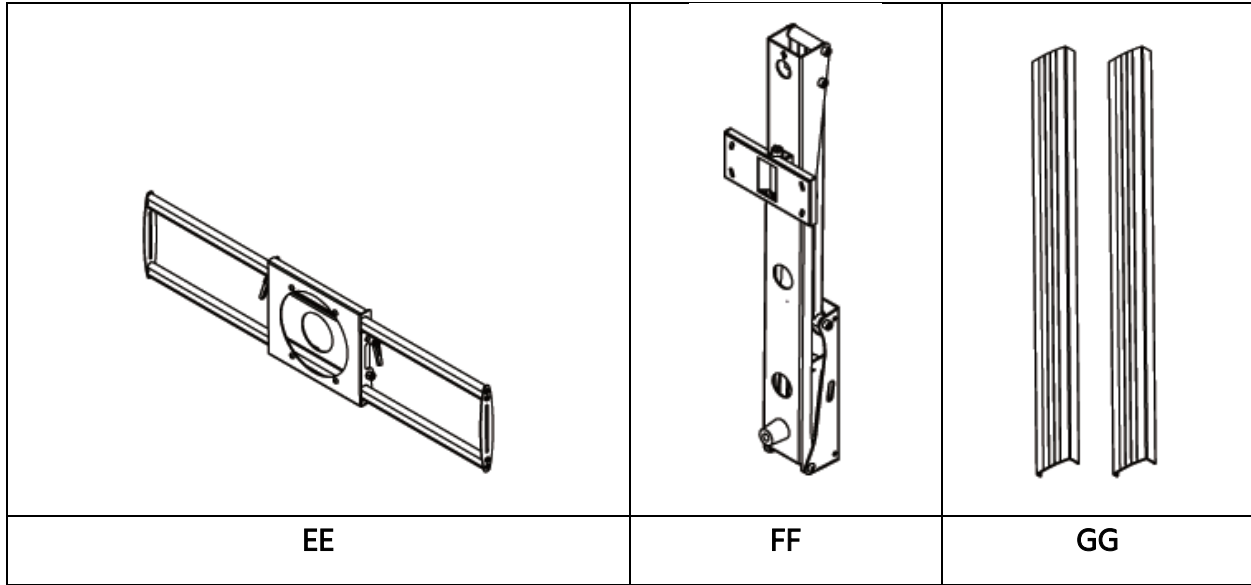
#	Item	Qty	Size
A	Magnetic spirit level	1	15x15x40
B	Philips pan head screw	4	M6x12
C	Philips pan head screw	4	M6x25
D	Philips pan head screw	4	M8x12
E	Philips pan head screw	4	M8x25
F	Washer 1	4	6.2x16x1.5
G	Spacer	4	17x9x14
H	Philips pan head screw	4	M6x8
I	Philips pan head screw	2	M6x20
J	Allen pan head screw	4	M8x10
K	Non-slip nuts	4	M6
	Plastic washer	4	6.2x1.4x12
L	Washer 2	4	8.2x2x16
	Hex bolt screw	4	M8x63.5
M	Wall anchor	4	M10x60
N	Spanner wrench	1	M10
	Hexagon wrench	1	M5
	Cable ties	2	L150
O	Hexagon wrench	1	M8
	Hexagon wrench extender	1	M8x180

AA	Handle	1	N/A
BB	Hook	2	N/A
CC	Wallboard	1	N/A
DD	Connecting rod	1	N/A
EE	Front panel	1	N/A
FF	Bracket	1	N/A
GG	Wall panel cover	2	N/A



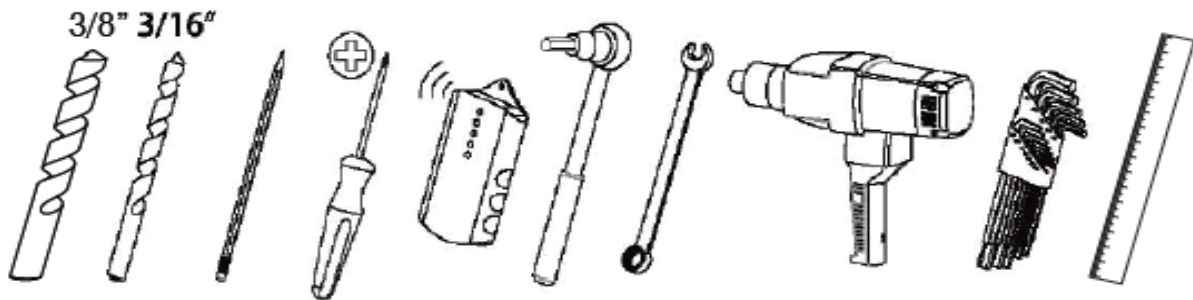
			
<p>E</p>	<p>F</p>	<p>G</p>	<p>H</p>
			
<p>I</p>	<p>J</p>	<p>K</p>	
			
<p>L</p>	<p>M</p>		

			
<p>N</p>			
			
<p>O</p>	<p>O</p>	<p>AA</p>	<p>BB</p>
			
<p>CC</p>		<p>DD</p>	

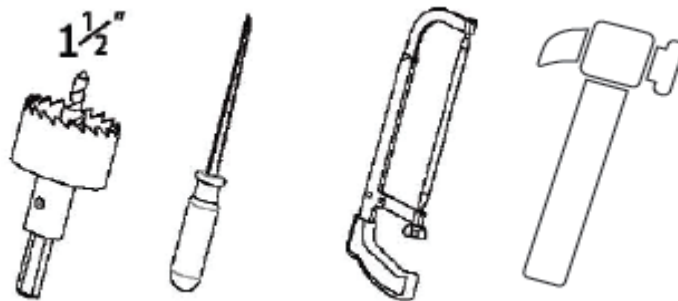


REQUIRED TOOLS

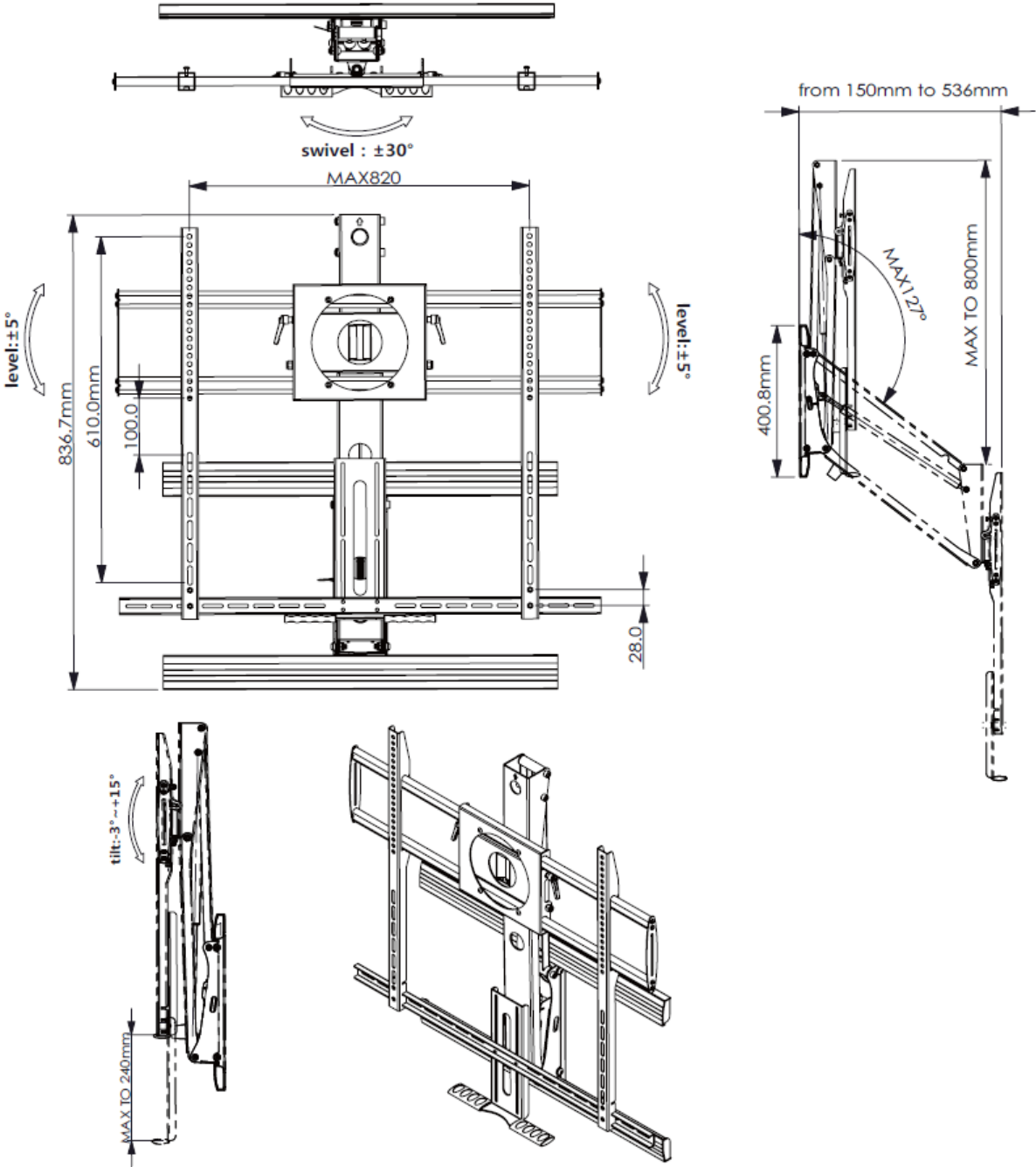
The following tools are required for installation.



The following tools are not required, but are highly recommended.



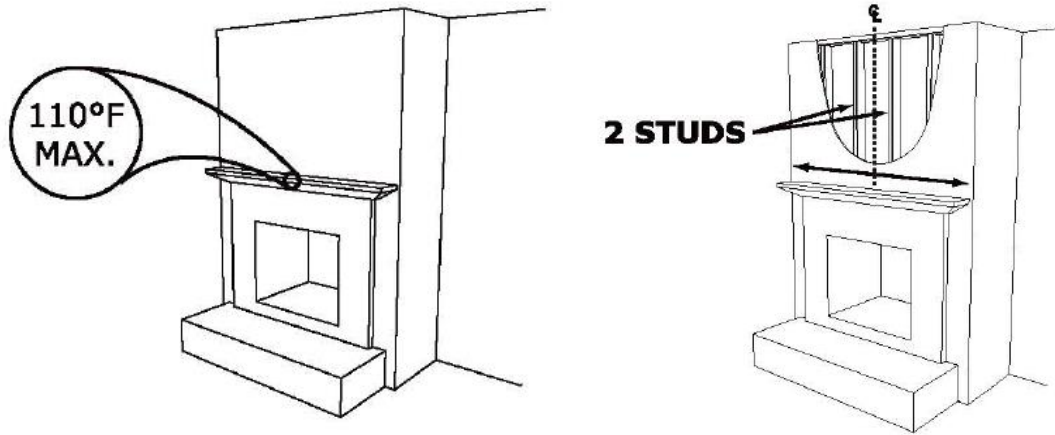
PRODUCT DIMENSIONS



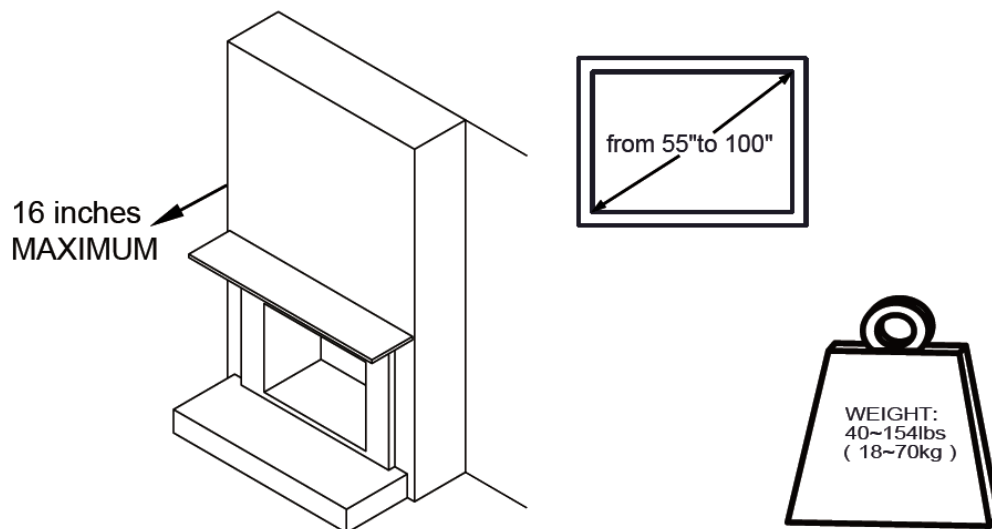
INSTALLATION CONSIDERATIONS

Warning! Ensure that the mounting surface can safely support the combined weight of the assembled mount and installed display. The bracket installation step requires two people.

1. The temperature at the front of the fireplace mantle must never exceed 110°F (43°C).

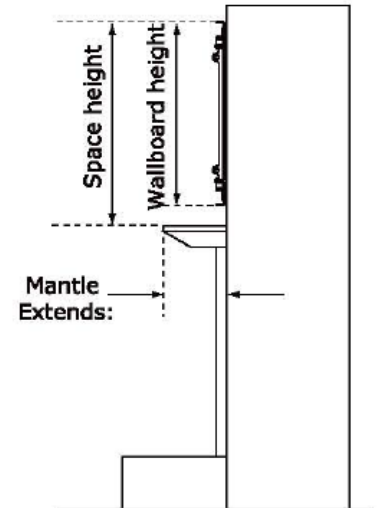


2. The wall to which this mount will be attached must be a wood stud type, with studs spaced no more than 16" (406mm) apart. These studs should be symmetrically positioned or the installation will not be symmetrical to the fireplace mantle. The wall must be no more than 5/8" (16mm) thick.
3. The fireplace mantle must extend no more than 16.0" (40.5 cm) from the surface of the wall.



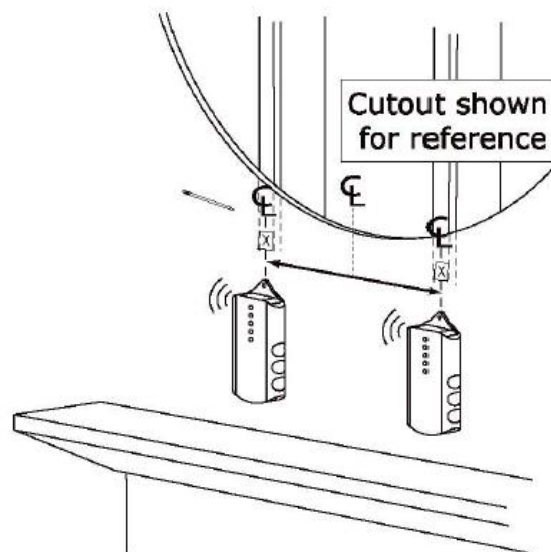
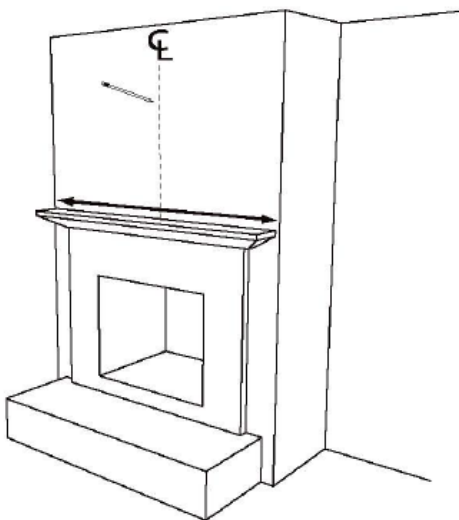
- This mount is intended for flat screen televisions (LCD, LED, Plasma) only. The mounted television should be between 55 ~ 100" and weigh between 40~ 154 lbs. (18 ~ 70 kg).
- The vertical space above the mantle must be greater than the height of the wallboard. The required vertical space depends on how far the mantle extends out from the wall.

Mantle Size	Space Height
Less than 8"	Wallboard height + 4"
8" - 11"	Wallboard height + 5"
11" - 13"	Wallboard height + 7"
13" - 16"	Wallboard height + 8"



INSTALLATION

- Use a tape measure to determine the center point of the mantle. Mark the centerline with a pencil or tape.



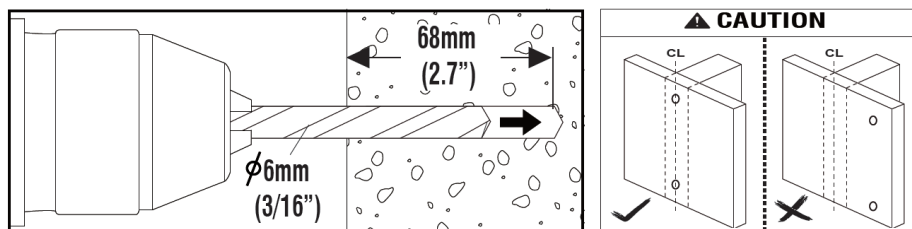
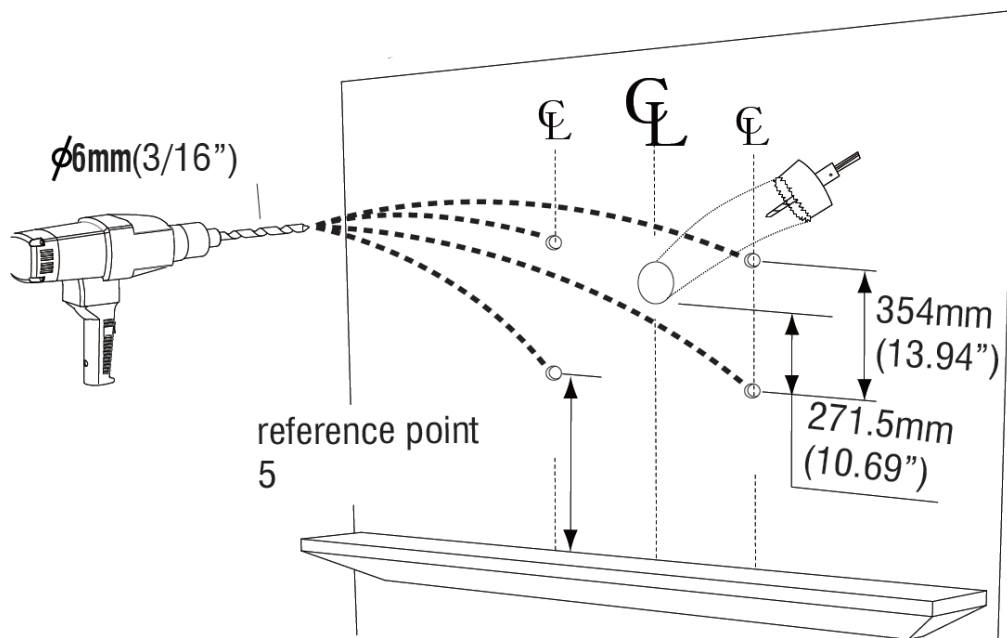
2. Use a stud finder to locate the studs closest to the centerline. Use a sharp awl or finishing nail to locate the edges of each stud, then mark the centerline of the two studs.

3. Refer to the table in step 5 in the *Installation Considerations* section above. Determine the Space Height adjustment based on the depth of your fireplace mantle. For example, if your fireplace mantle is 11" deep, the offset height is 7". Mark drill holes in the center of each stud at a point this distance above the mantle. Then mark two more drill holes in the center of the studs 354mm above the first marks.

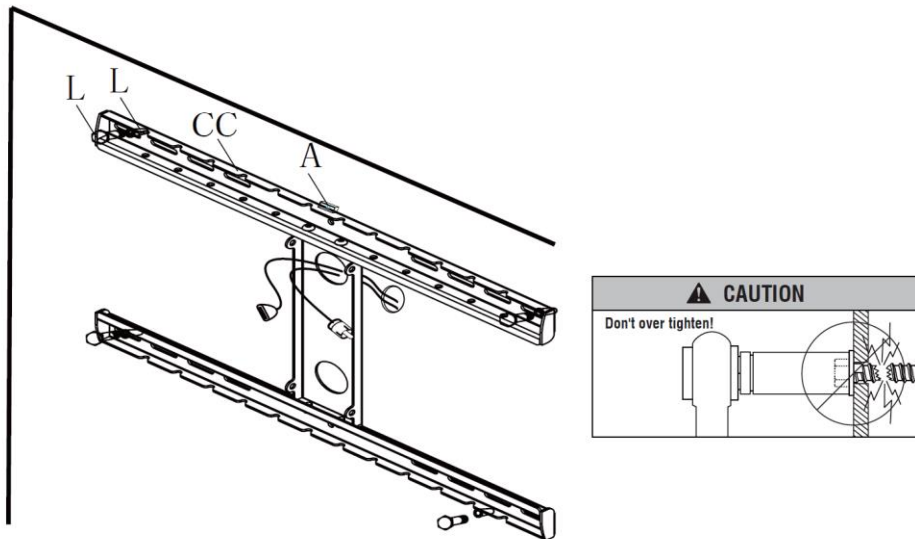
(Optional) Mark a drill hole in the center of the centerline 271.5mm above the first marks.

Using a 3/16" bit, drill pilot holes into the studs at the marked points.

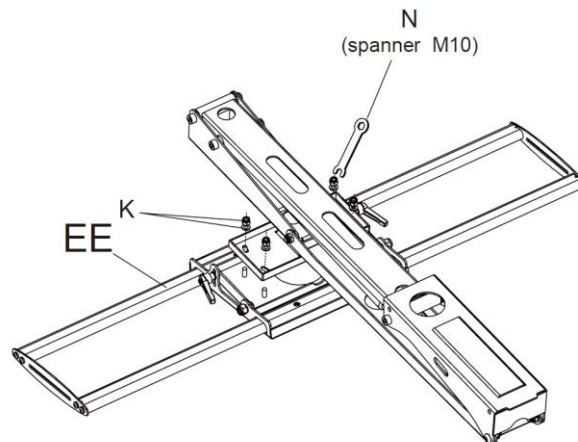
(Optional) Using a 1-1/2" hole saw, drill a hole at the marked point in the centerline.



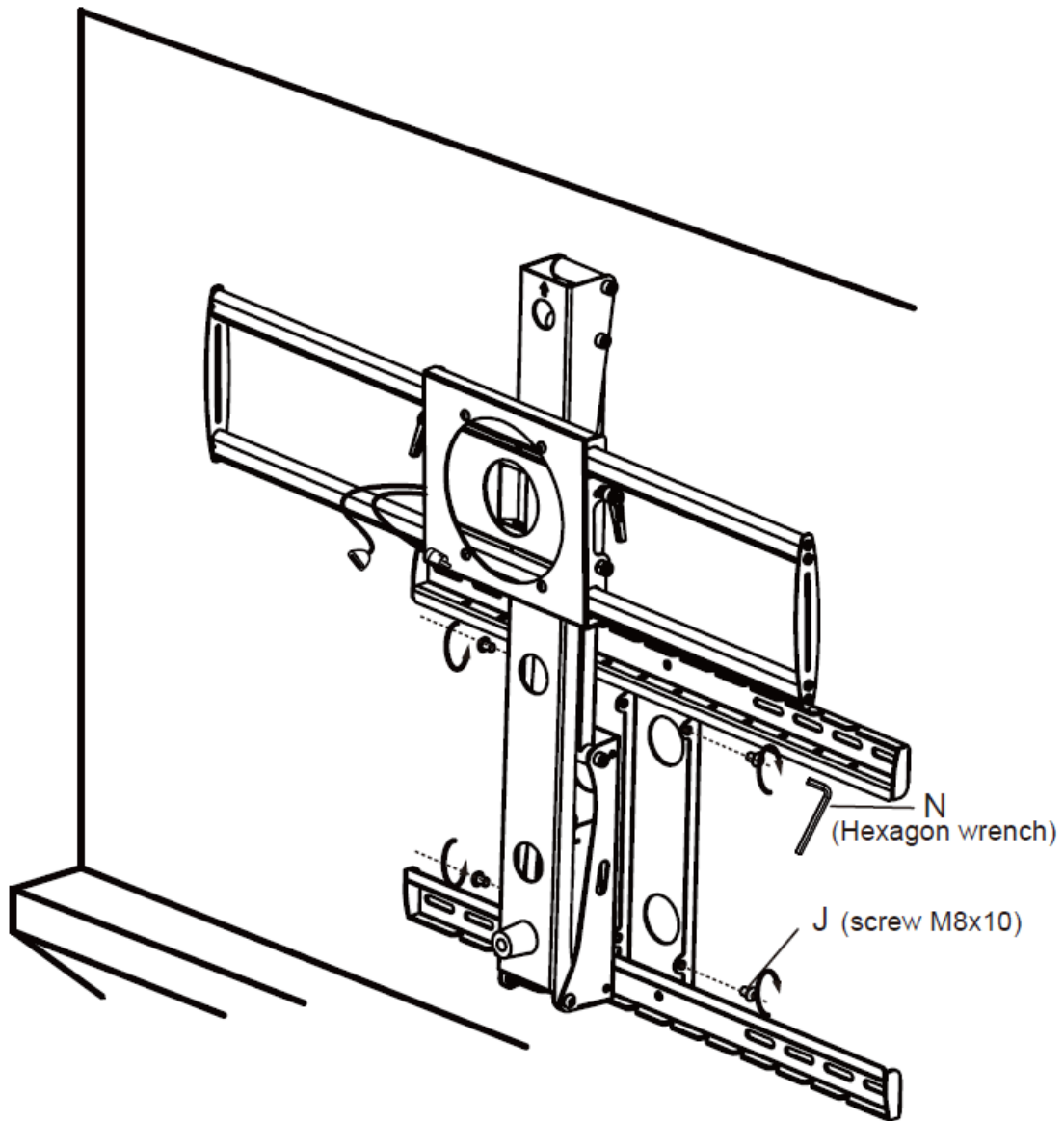
4. (Optional) Route the power and video cables through the wall and feed the ends through the hole in the centerline.
5. Place the magnetic spirit level (A) on top of the wallboard (CC), then place the wallboard against the wall, with the mounting holes over the drilled pilot holes. Thread the four hex bolt screws and washers (L) into the pilot holes, then screw them into the studs using an appropriately sized socket wrench, while ensuring that the mount is level. Do not over tighten!



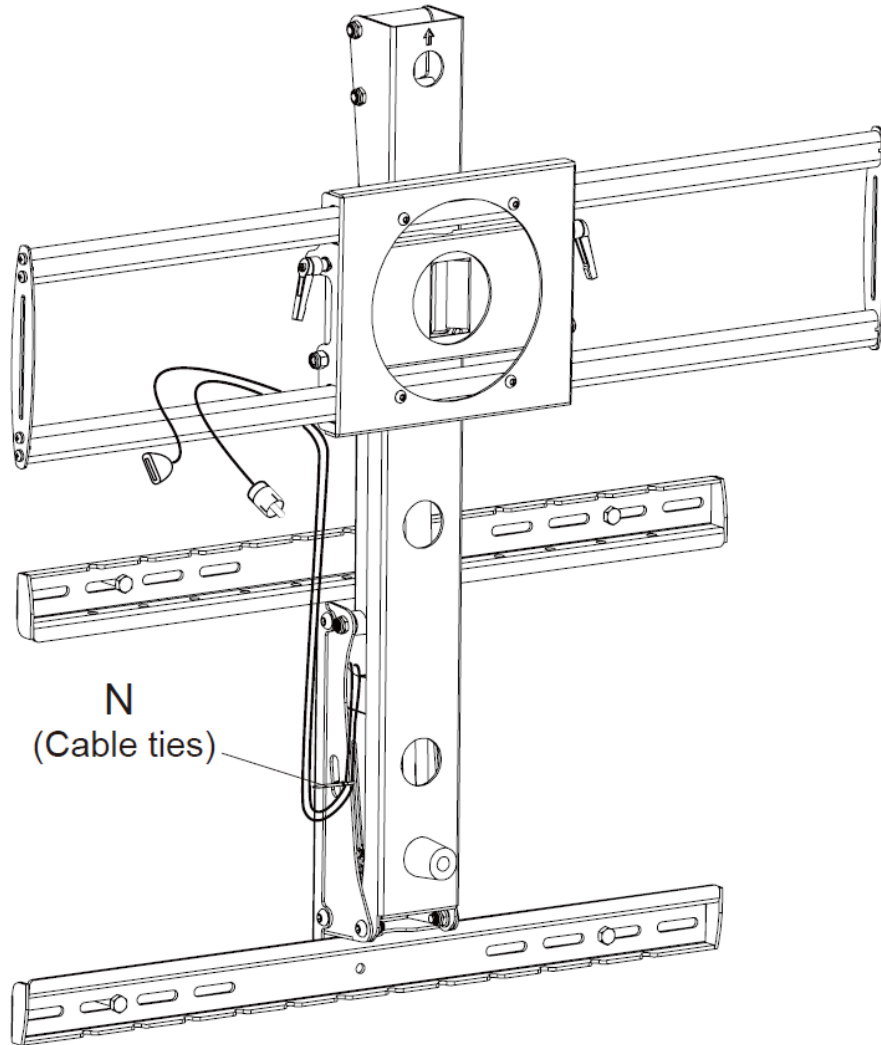
6. Place the front panel (EE) face down on a flat surface, then position the holes in the bracket (FF) over the four threaded rods on the back of the front panel. Using the plastic washers and non-slip nuts (K), place the washers on each threaded rod, then thread one non-slip nut on each of threaded rods. Using the M10 spanner (N), tighten each threaded nut to secure the bracket to the front panel.



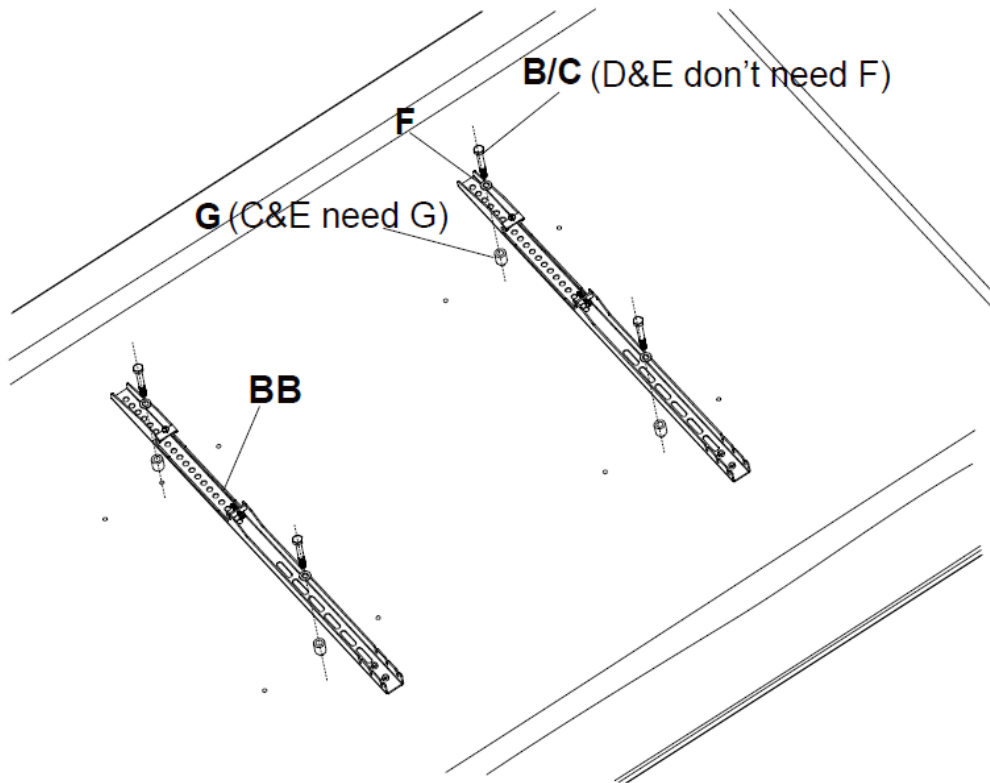
- Using the four Allen pan head screws (J) and the hexagon wrench (N), secure the bracket and front panel assembly to the wallboard.



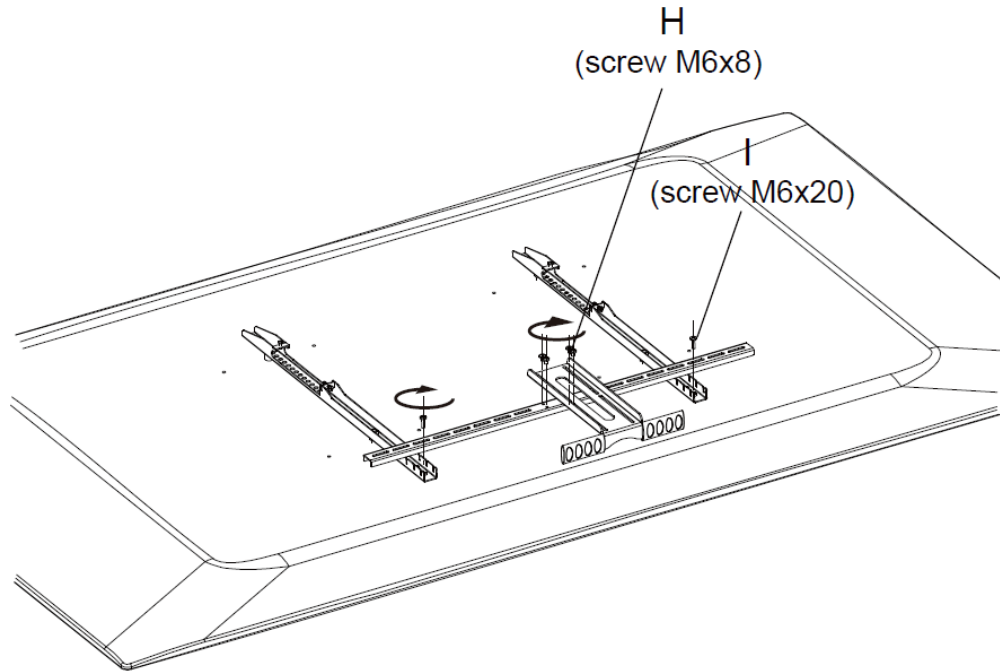
8. (Optional) Route the video and power cables along the bracket, then secure them in place using the cable ties (N), as shown.



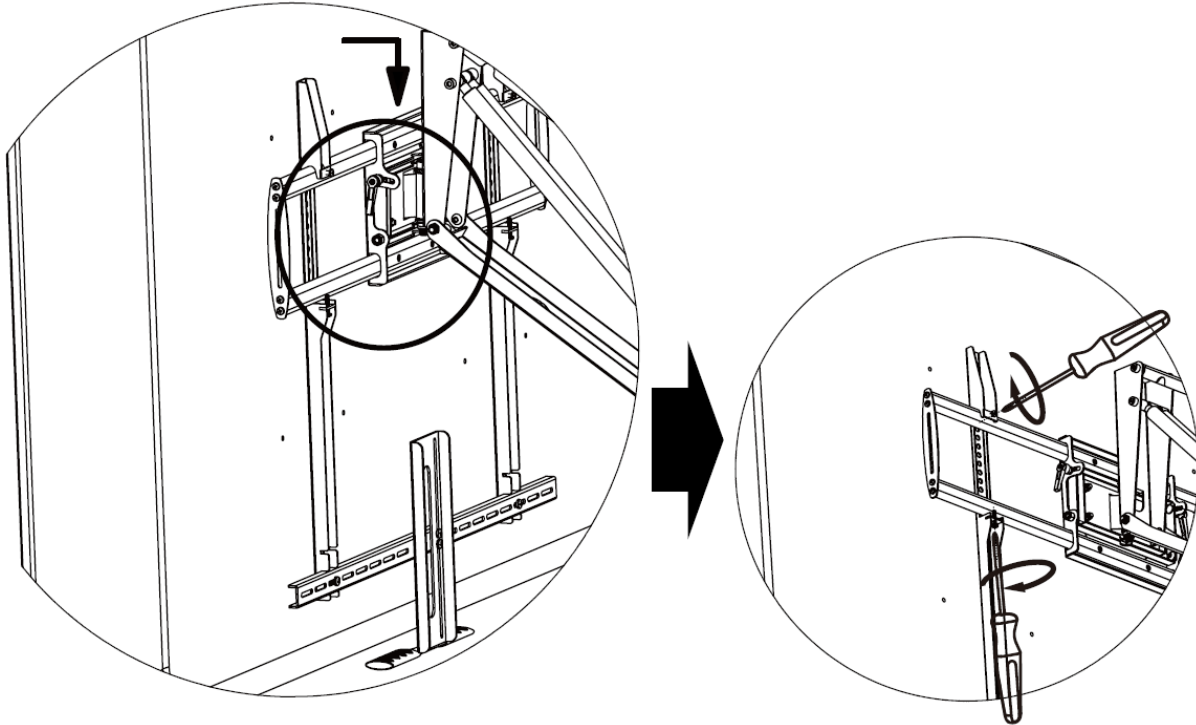
9. Place a towel or blanket on a flat surface, then place your television face down on it. Attach the hooks (BB) to the back of the television using the appropriate screws, washers, and/or spacers. The proper combinations to use are the Philips pan head screws (B) and washer 1 (F), Philips pan head screw (C) and washer 1 (F) and spacer (G), Philips pan head screw (E) only, or Philips pan head screw (E) and spacer (G).



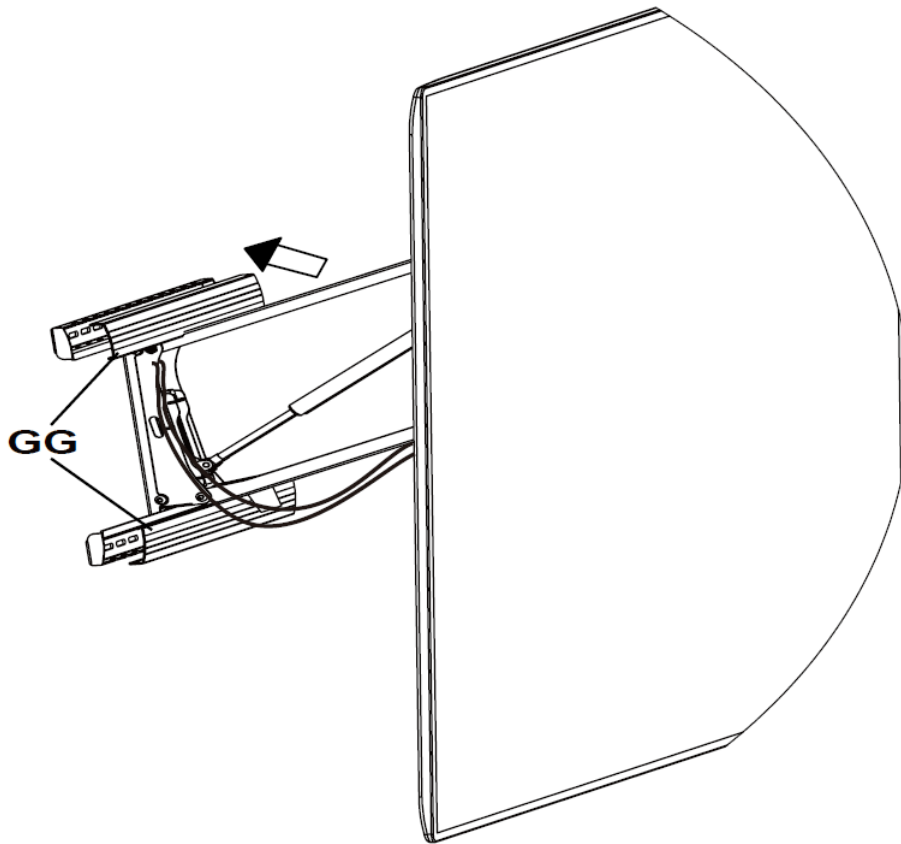
10. Using the two Philips pan head screws (I), attach the connecting rod (DD) to the hooks (BB). Then, using the four Philips pan head screws (H), attach the handle (AA) to the connecting rod.



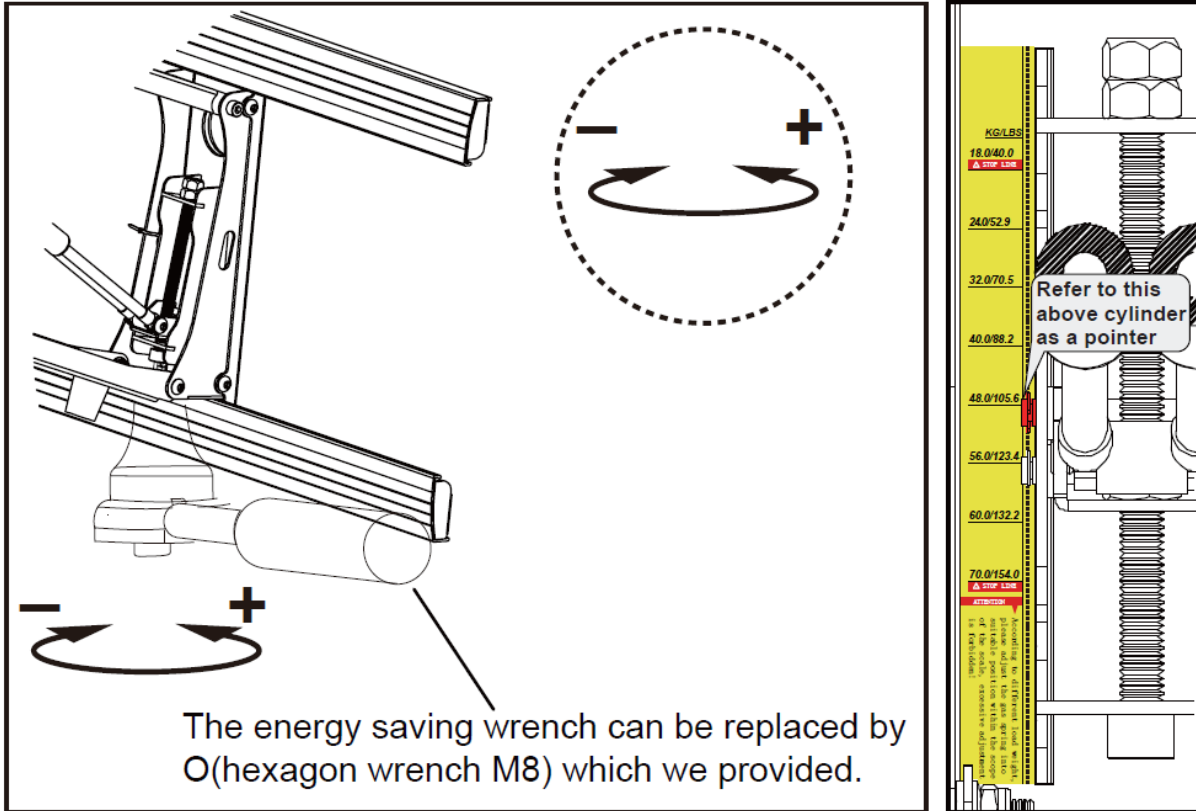
11. Using two people, lift the television and hang the hooks on the front panel. Then use a Philips screwdriver to tighten the two locking screws on each bracket, which secures the brackets to the front panel.



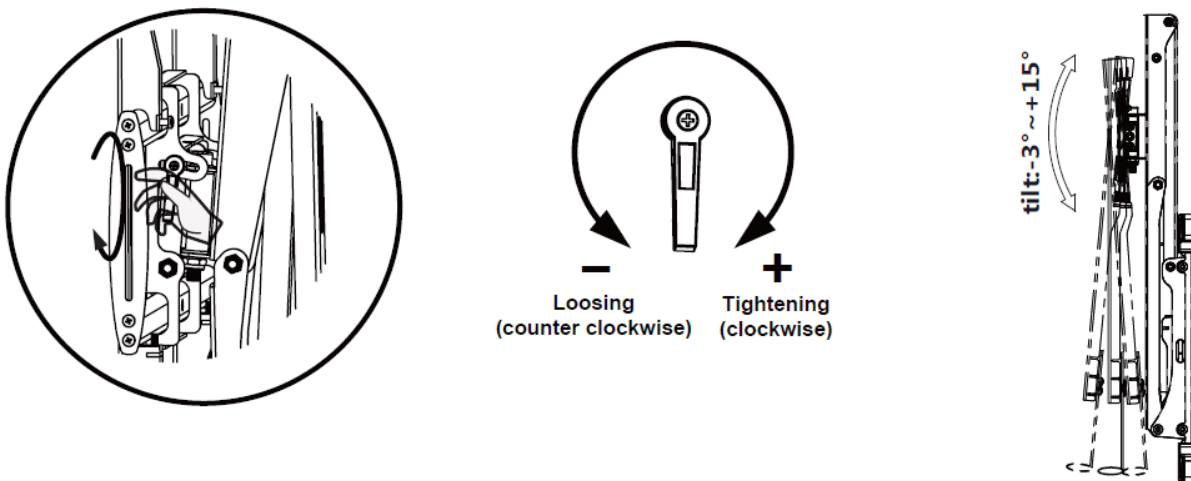
12. Attach the wall panel covers (GG) to the wallboard.



13. Adjust the spring pressure to balance the weight of the display so that it can be easily moved and will maintain its position using either a ratchet wrench or the hexagon wrench (O) provided.



14. If you want to adjust the tilt, loosen the tilt lock lever, adjust the tilt to the desired angle, then tighten the tilt lock lever.



15. Connect the video and power cables to your television.

Congratulations, your television is now mounted and ready for use!

SPECIFICATIONS

Model	27773
Display Size	55" ~ 100"
Minimum Display Weight	40 lbs. (18 kg)
Maximum Display Weight	154 lbs. (70 kg)
Minimum VESA Size	200x200
Maximum VESA Size	800x600
Swivel Range	±30°
Tilt Range	+15° / -3°
Rotation Range	±5°