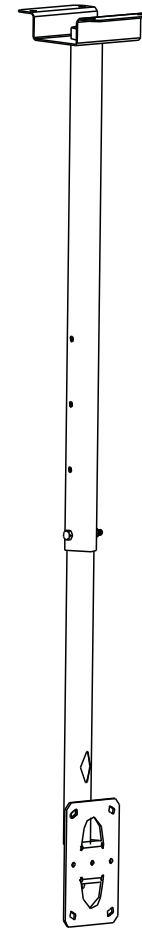


# Flat Panel Ceiling Mount



**PID:3007**



**CAUTION:** DO NOT EXCEED RATED LISTED WEIGHT. SERIOUS INJURY OR PROPERTY DAMAGE MAY OCCUR!



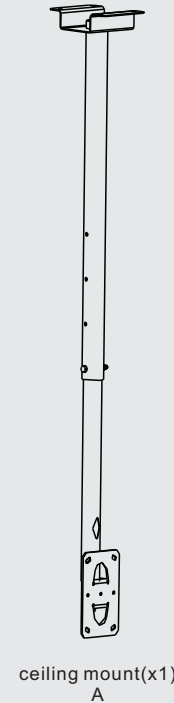
**NOTE:** Read the entire instruction manual before you start installation and assembly.

## WARNING

- Do not begin the installation until you have read and understood all the instructions and warnings contained in this installation sheet. If you have any questions regarding any of the instructions or warnings, please contact your local distributor.
- This mounting bracket was designed to be installed and utilised ONLY as specified in this manual. Improper installation of this product may cause damage or serious injury.
- This product should only be installed by someone with good mechanical ability who has basic building experience and fully understands this manual.
- Make sure that the supporting surface will safely support the combined weight of the equipment and all attached hardware and components.
- Always use an assistant or mechanical lifting equipment to safely lift and position the equipment.
- Tighten screws firmly, but do not over tighten. Over tightening can cause damage to the items, This greatly reduces their holding power.
- This product is intended for indoor use only. Using this product outdoors could lead to product failure and personal injury.

## Component Checklist

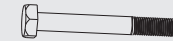
**IMPORTANT:** Ensure that you have received all parts according to the component checklist prior to installation. If any parts are missing or faulty, telephone your local distributor for a replacement.



M8 nut (x7)  
B

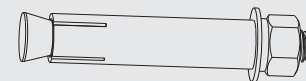


M8x20 (x6)  
C



M8x70 (x1)  
D

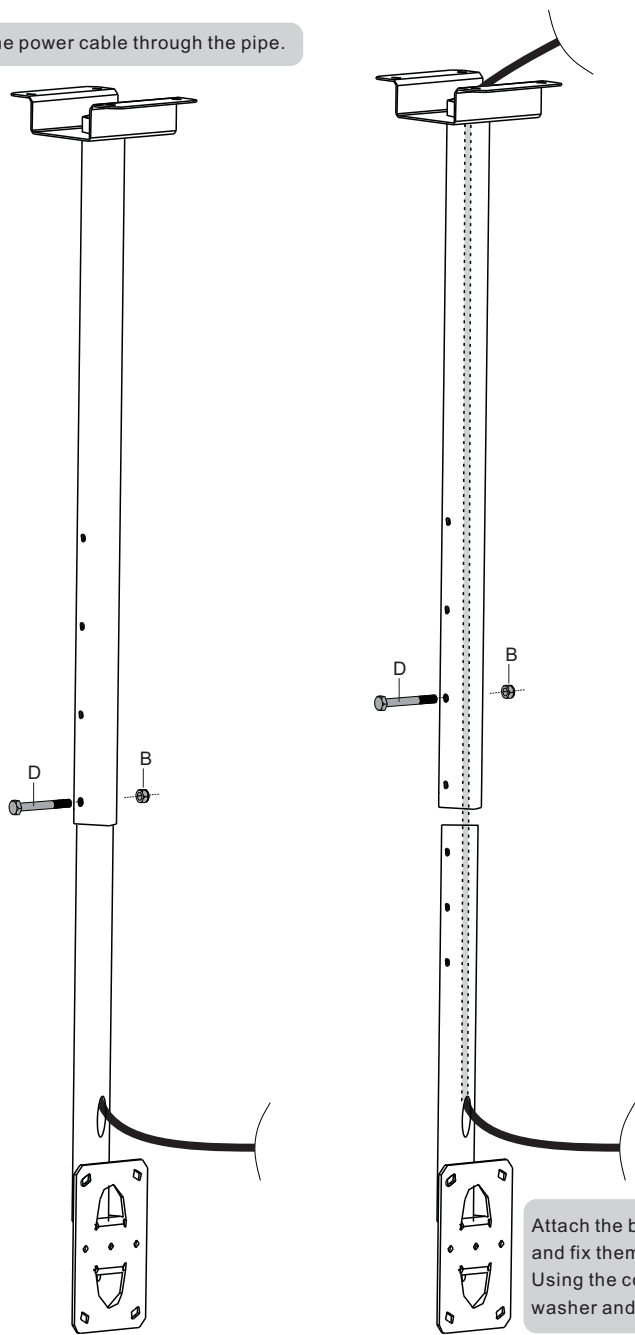
## Package W



M12x50 iron expansion bolt (x4)  
W-A

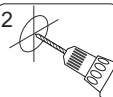
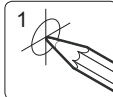
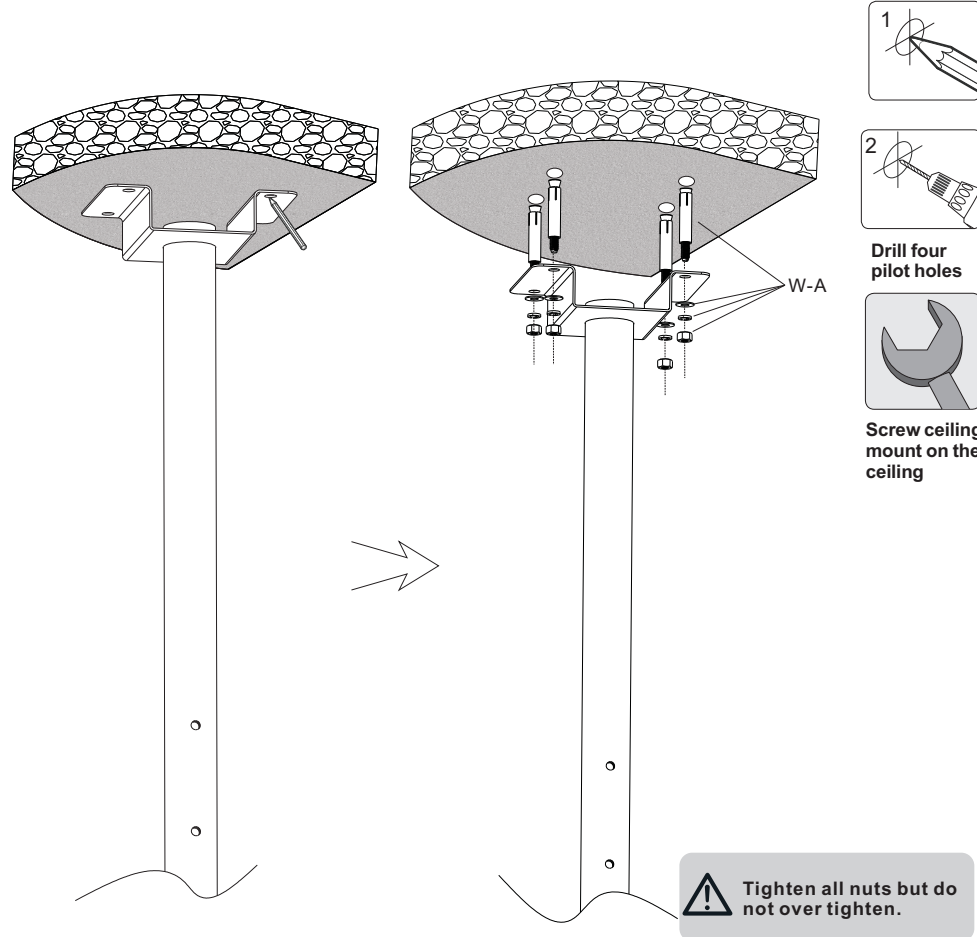
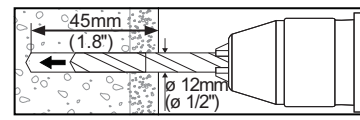
## 1. Assembling the Pipes

Run the power cable through the pipe.



Attach the bottom pipe to top the pipe and fix them at the desired height. Using the correct combination of screw, washer and nut.

## 2. For Solid Brick and Concrete Mounting



Drill four pilot holes

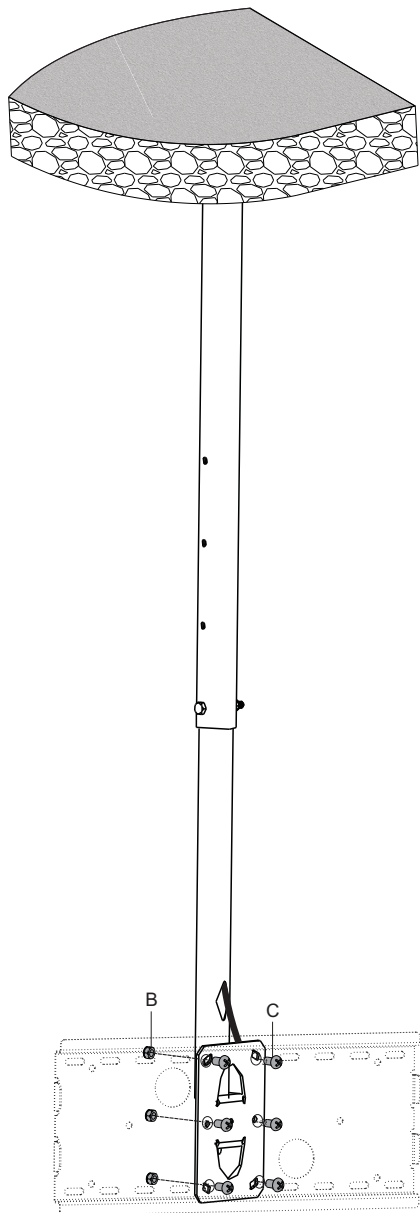


Screw ceiling mount on the ceiling

**!** Tighten all nuts but do not over tighten.

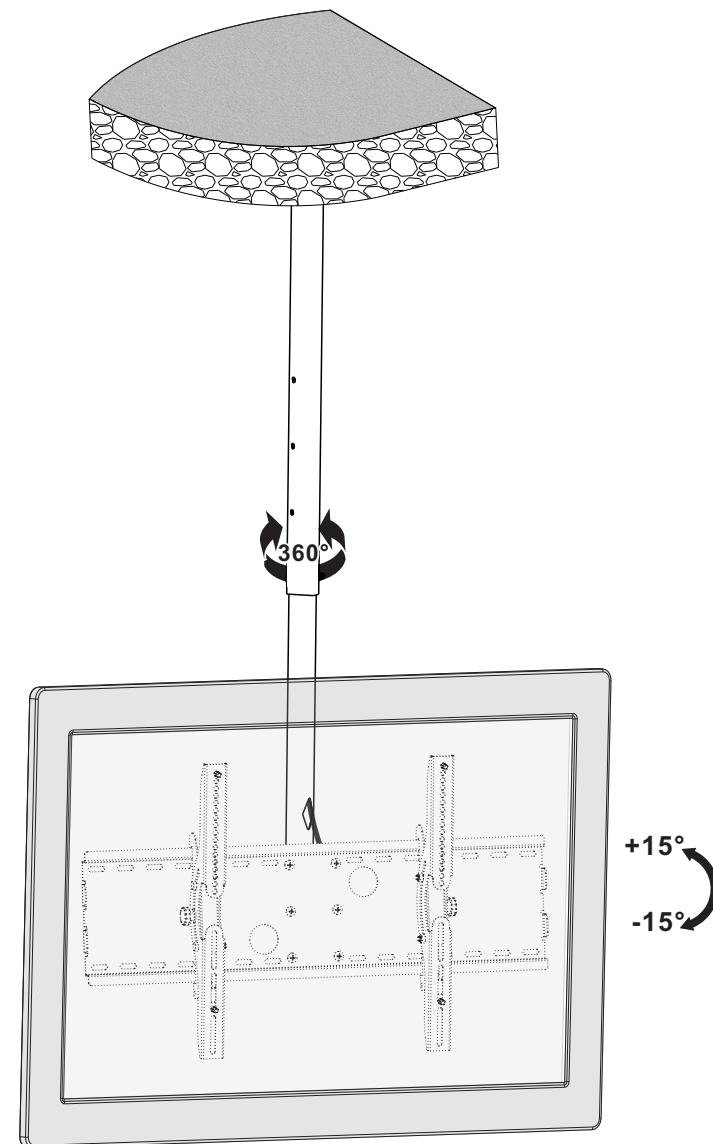
**! WARNING**  
 Installers must verify that the supporting surface will safely support the combined weight of the equipment and all attached hardware and components.

### 3. Installing the Metal Plate



Should be assembled with model PLB-1/PLB-2/PLB-3/PLB-4 etc.

### 4. Adjustment



#### Maintenance

- Check that the bracket is secure and safe to use at regular intervals (at least every three months).
- Please contact your distributor if you have any questions.