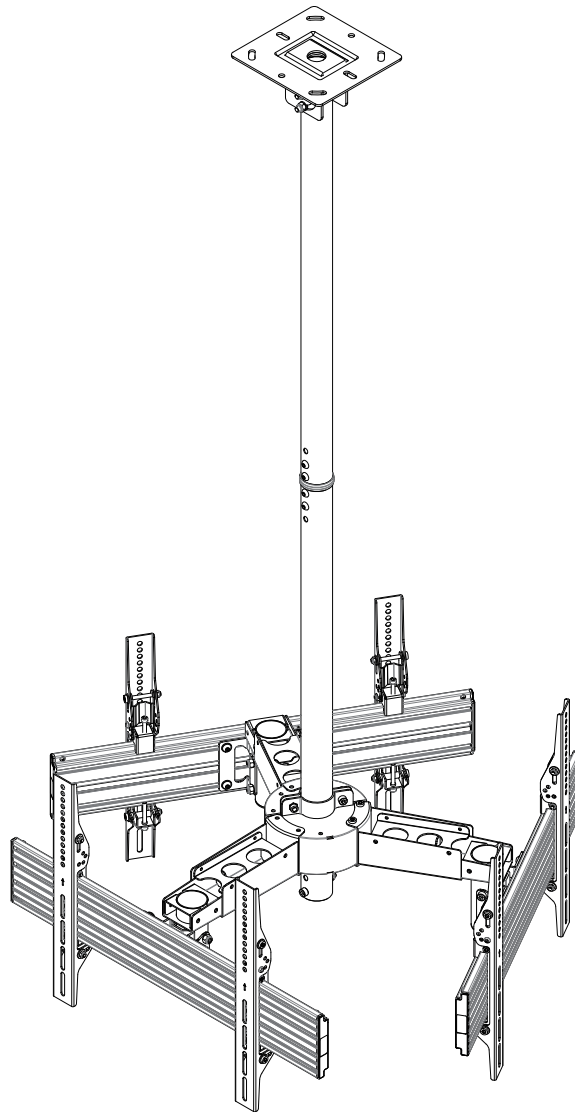




Triple Sided Ceiling TV Mount Bracket for TVs 32" ~ 65" up to 66 lbs. per Screen



Installation Guide

P/N **34195**

INTRODUCTION

This Triple Sided Ceiling TV Mount Bracket safely supports three displays from a single pole or column drop, while maintaining the installer-friendly features of a single ceiling mount. It includes the hardware needed for mounting the displays and all other hardware, except ceiling bolts. The adjustable pole allows displays to be mounted from 2.62 ~ 10.68 feet (0.8 ~ 3.25 meters) from the ceiling. It has a through-column cable management system for keeping cables safely tucked away and out of sight.

FEATURES

- Adjustable sides to accommodate displays from 32" ~ 65" weighing up to 66 lbs. each
- Supports VESA® mounting sizes from 100x100 ~ 600x400
- $\pm 15^\circ$ tilt range for each screen
- Complete 360° viewing with screens on each side
- Mountable to any pitch ceiling up to 90°
- All hardware included to hang screens 2.62 ~ 10.68 (0.8 ~ 3.25 meters) feet from the ceiling



INSTALLATION AND OPERATION

- This product should only be installed by a qualified structural contractor. Failure to follow proper structural code in regard to hanging equipment could result in serious injury or death.
- The ceiling structure to which this product will be attached must have a minimum load bearing capacity four times the total weight of the lift and any attached TV displays.

SAFETY WARNINGS AND GUIDELINES

Please read this entire manual before using this device, paying extra attention to these safety warnings and guidelines. Please keep this manual in a safe place for future reference.

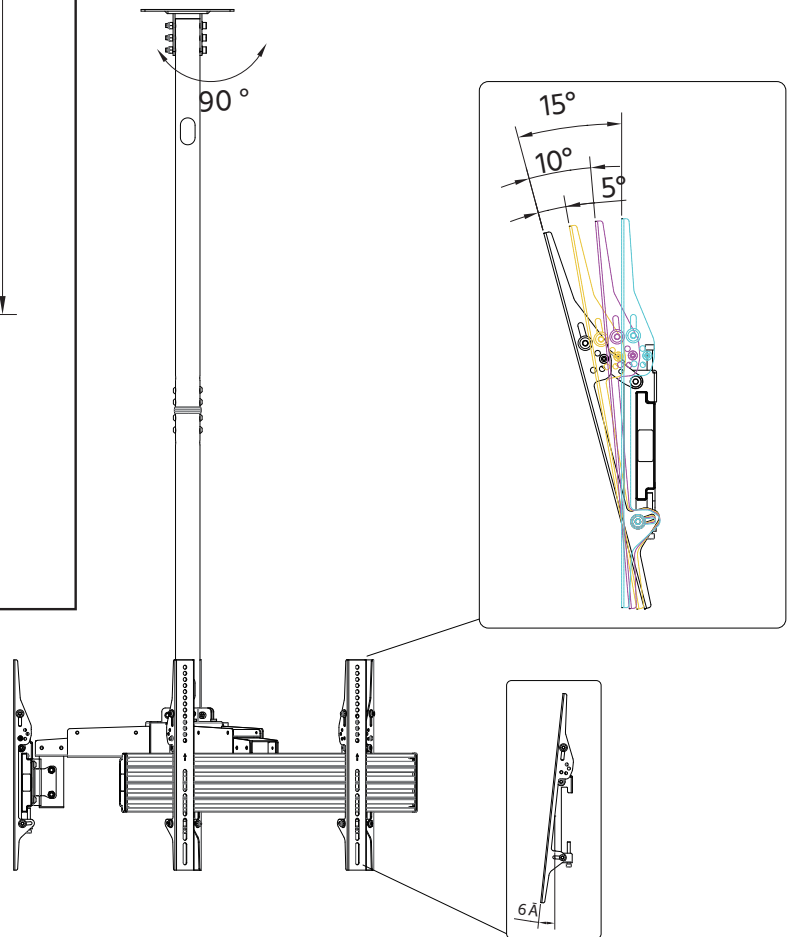
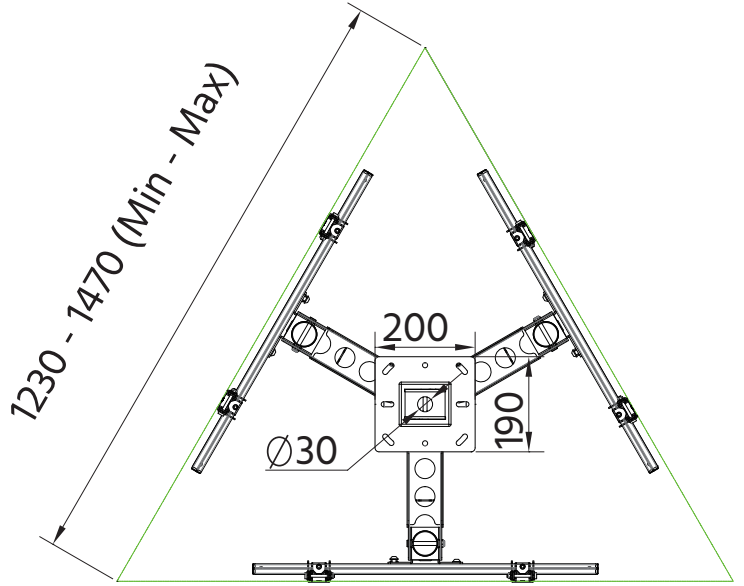
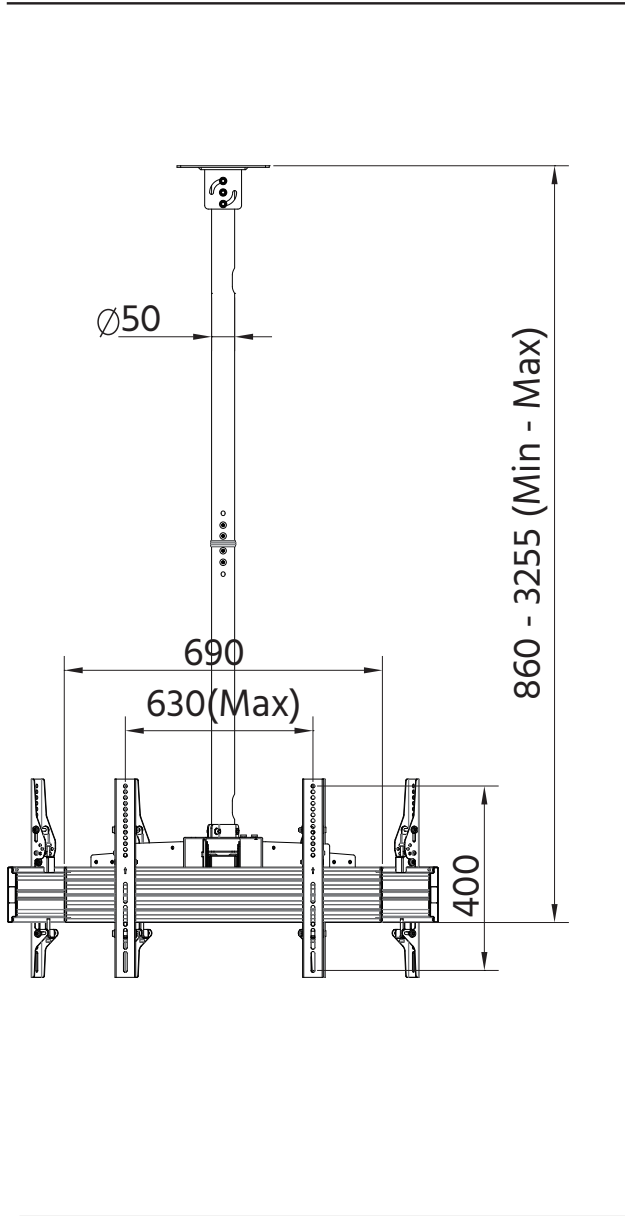
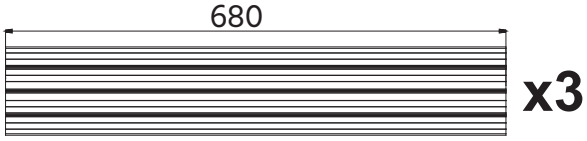
- Do not exceed the rated weight limit. Doing so can cause the mount to fail, resulting in equipment damage and/or severe personal injury.
- Ensure that the structure to which this mount will be installed is capable of supporting at least four times the total weight of the mount and any connected displays.
- Use the supplied mounting screws. Tighten screws using the appropriate tool, but take care not to over-tighten them.
- This device is intended for indoor use only.
- This device contains small parts that could pose a choking hazard to small children. Keep this device and its spare parts out of reach of small children.
- Inspect the installation at least once every three months to ensure that it is secure and safe to use.
- Please take an inventory of the package contents to ensure you have all the items shown in the Parts List. If anything is missing or damaged, please contact Monoprice Customer Service for a replacement.

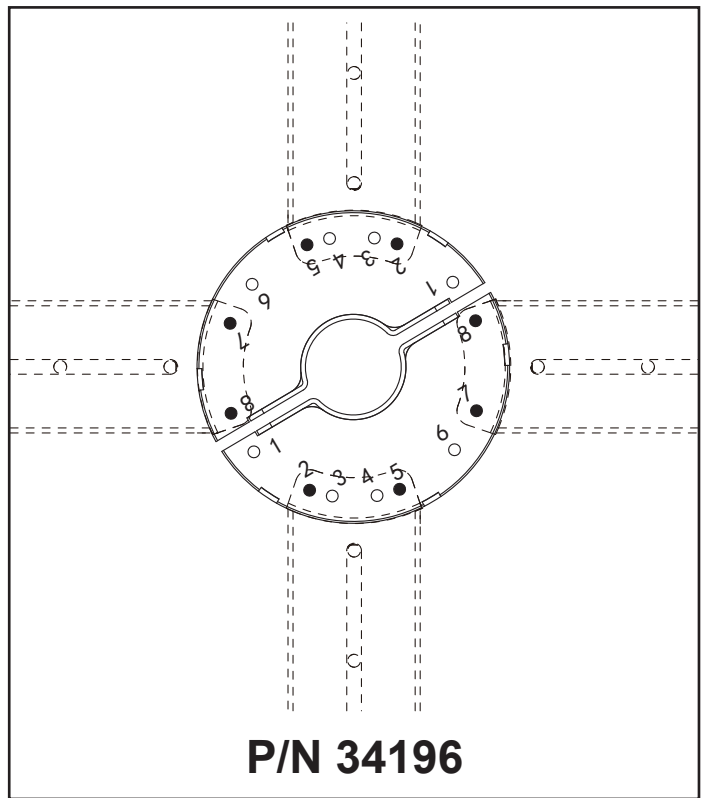
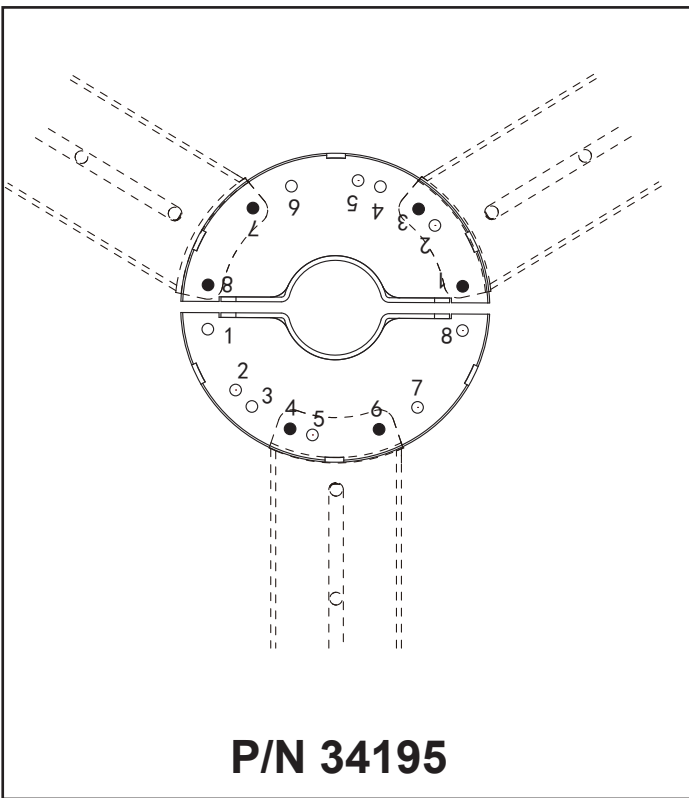
CUSTOMER SERVICE

The Monoprice Customer Service department is dedicated to ensuring that your ordering, purchasing, and delivery experience is second to none. If you have any problem with your order, please give us an opportunity to make it right. You can contact a Monoprice Customer Service representative through the Live Chat link on our website www.monoprice.com or via email at support@monoprice.com Check the website for support times and links.





Dimensions (mm)

Product Weight: 28kg



















Parts List

A1	A2	A3	A4
M5X15 	M6X15 	M8X15 	Ø16XØ6.2X1.5 
X4	X4	X4	X4

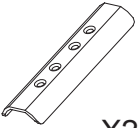


X3

B1	B2	B3	B4	B5	B6
M8X12 	Ø16XØ8.2X1.5 	4/5/6mm 		M5X8 	M6X8 
X12	X12	X1(Each)	X1	X6	X12

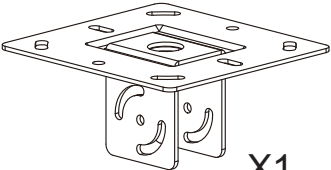
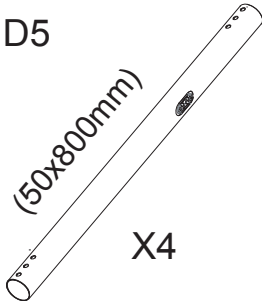
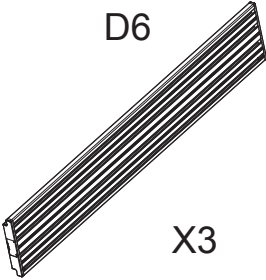
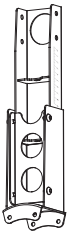
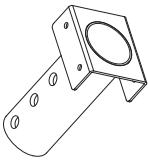
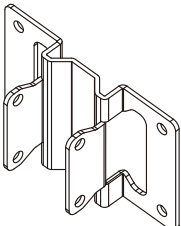
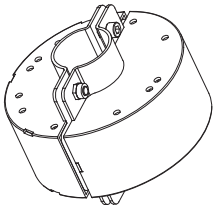

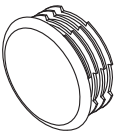
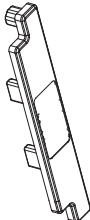
X1

C1	C2	C3	C4	C5	C6	C7	C8
M8X70 	Ø16XØ8.2X1.5 	M8 	Lag bolt 	Anchor 	M8x65 	M6x80 	M6 
X3	X12	X10	X6	X6	X7	X6	X6

X1

D1	D2	D3
	M8X12 	
X2	X8	X1

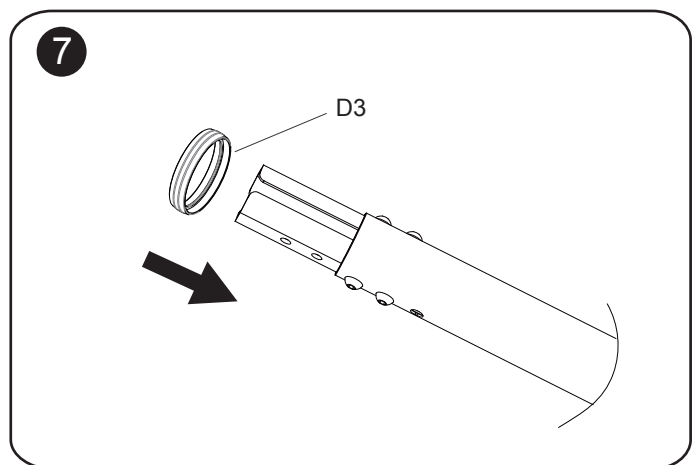
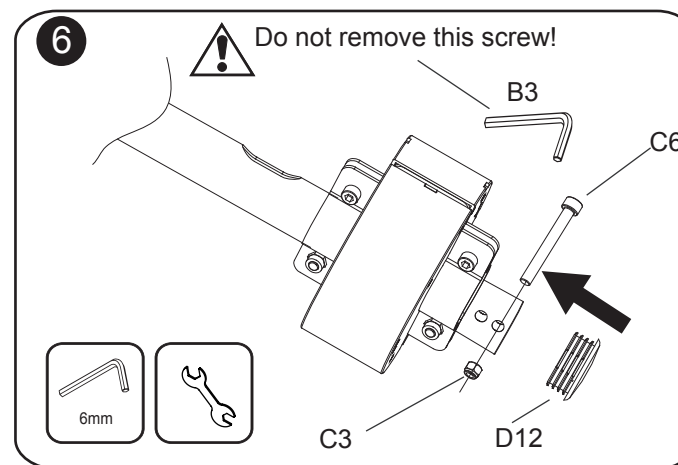
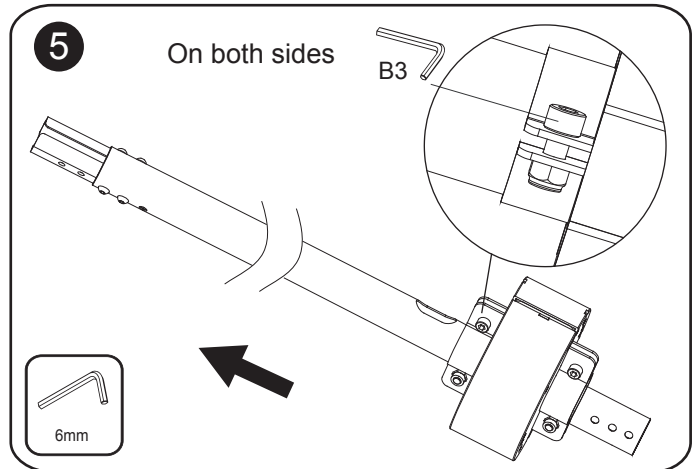
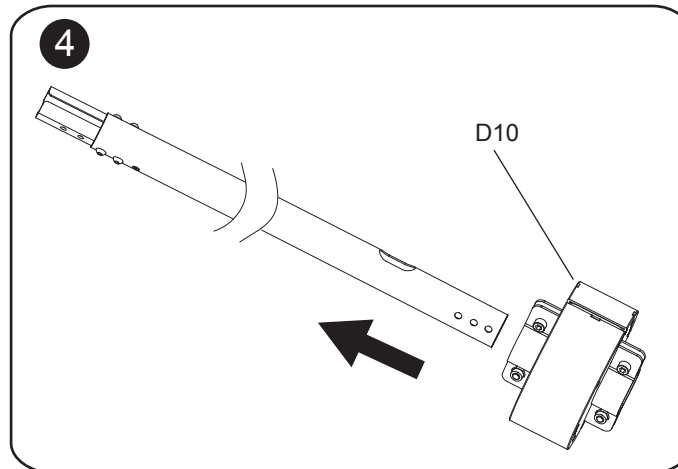
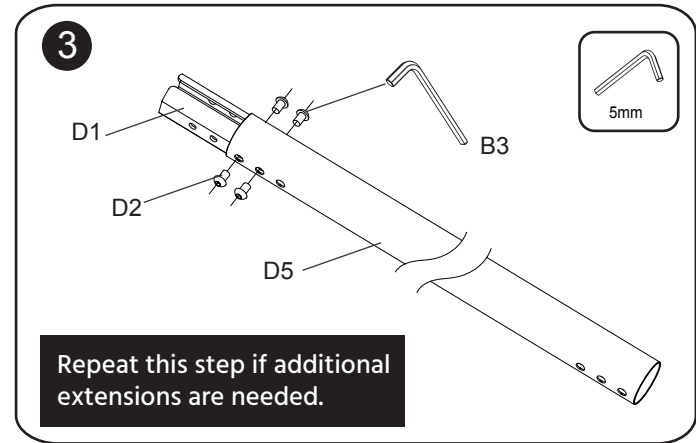
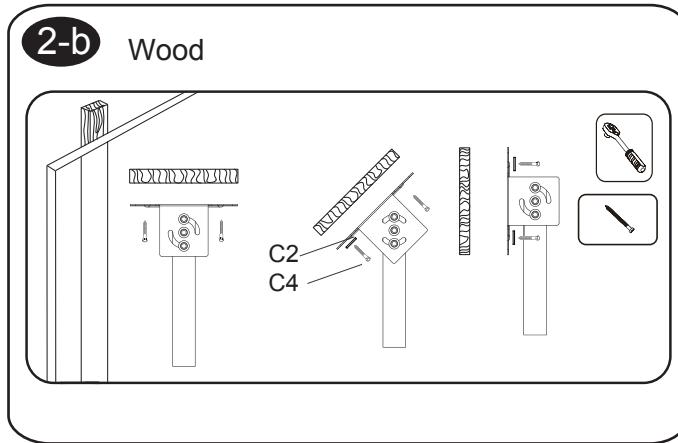
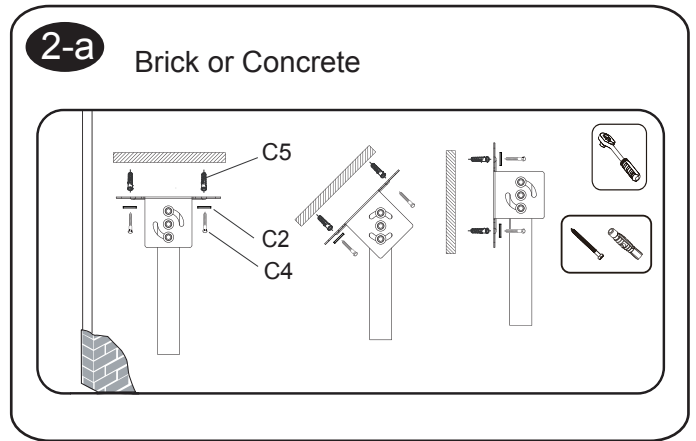
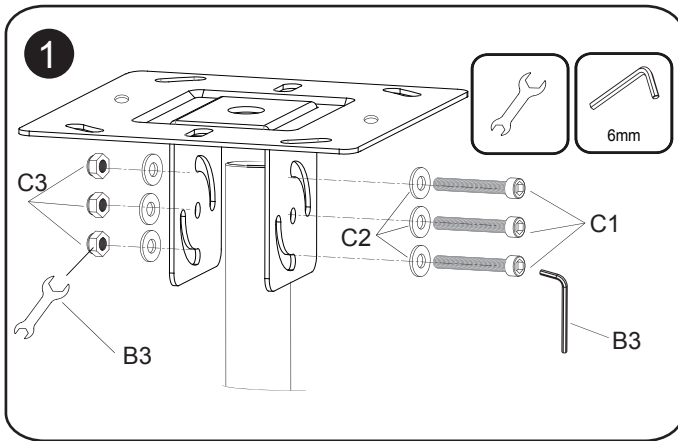
X3

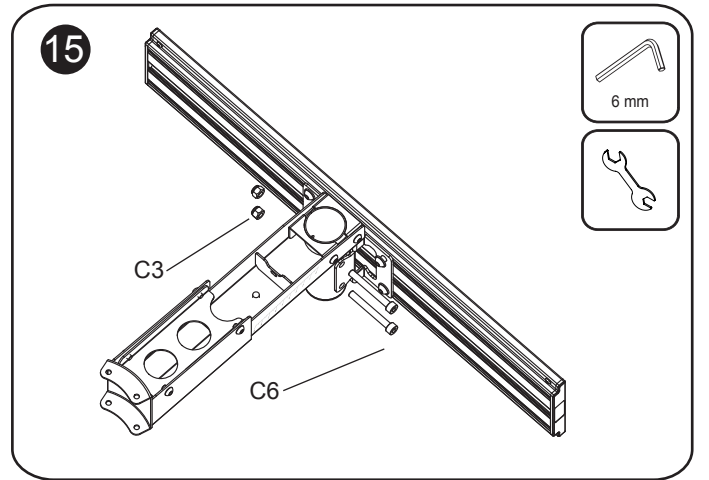
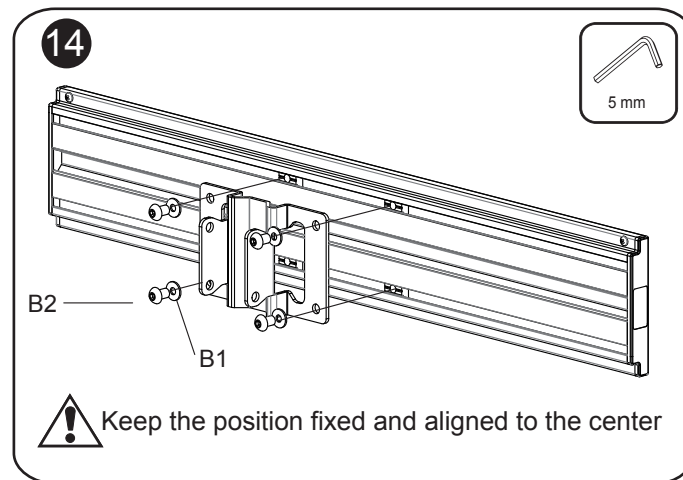
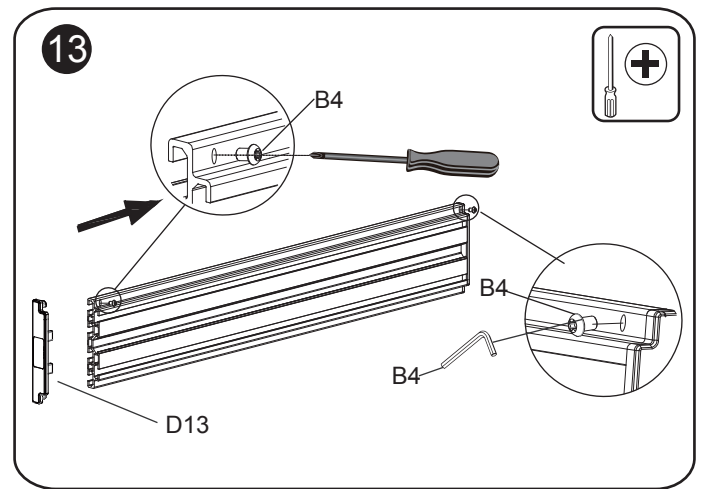
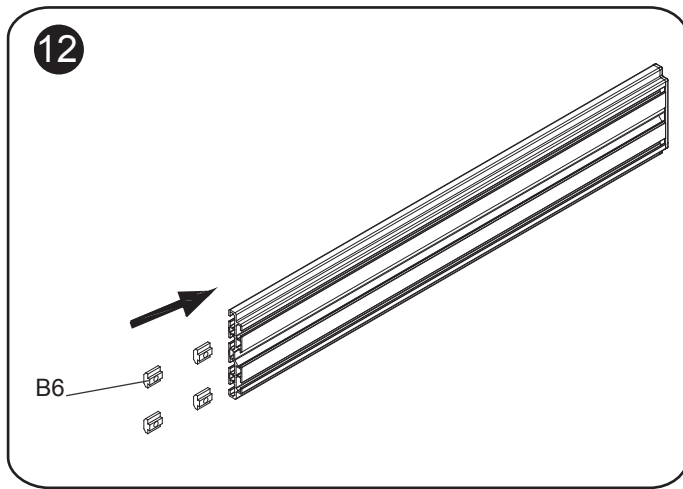
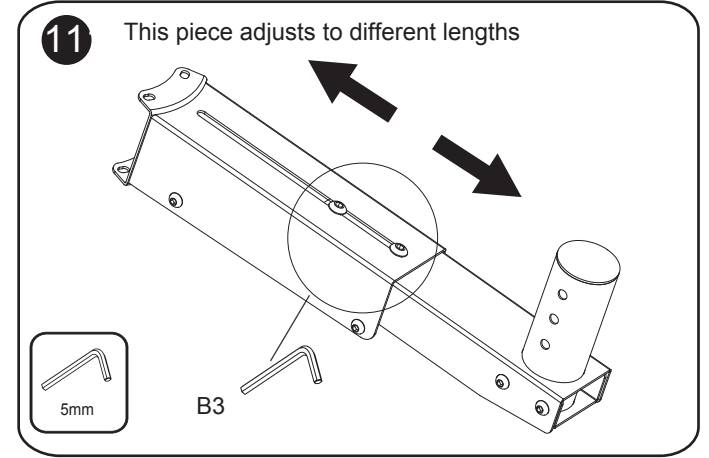
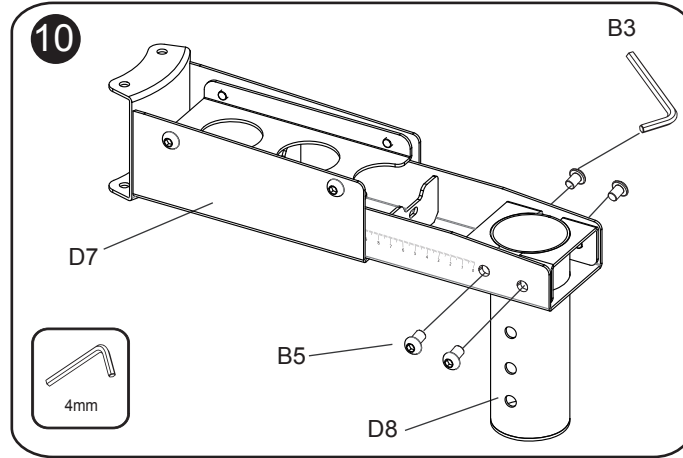
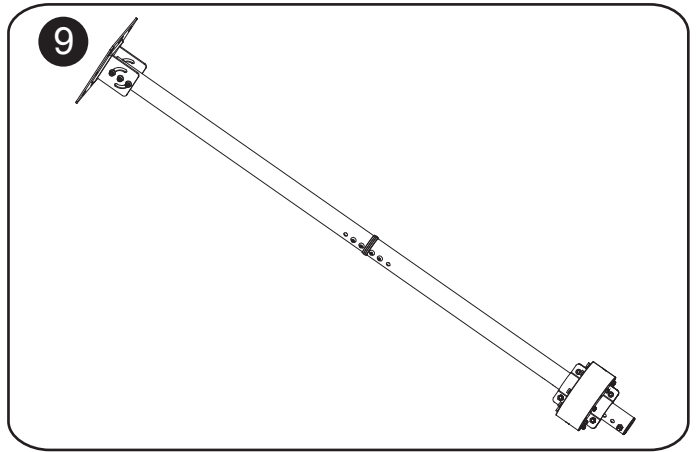
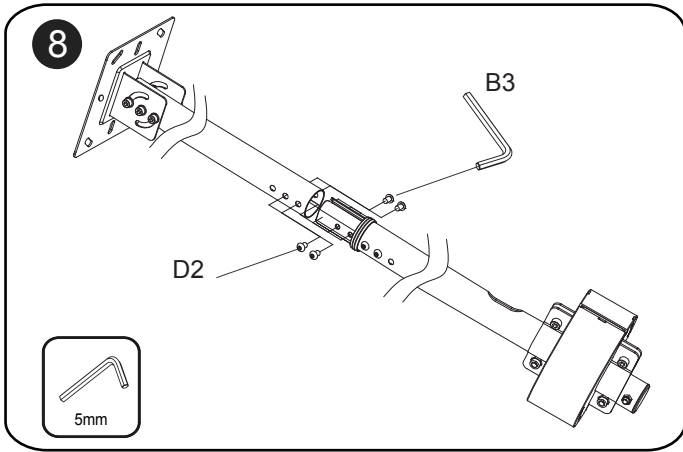
<p>D4</p>  <p>X1</p>	<p>D5</p>  <p>(50x800mm) X4</p>	<p>D6</p>  <p>X3</p>	<p>D7</p>  <p>34195: 260-325mm (Min-Max) 34196: 415-635mm (Min-Max) X3</p>		
<p>D8</p>  <p>X3</p>	<p>D9</p>  <p>X3</p>	<p>D10</p>  <p>X1</p>	<p>D11</p>  <p>X6</p>	<p>D12</p>  <p>X1</p>	<p>D13</p>  <p>X6</p>

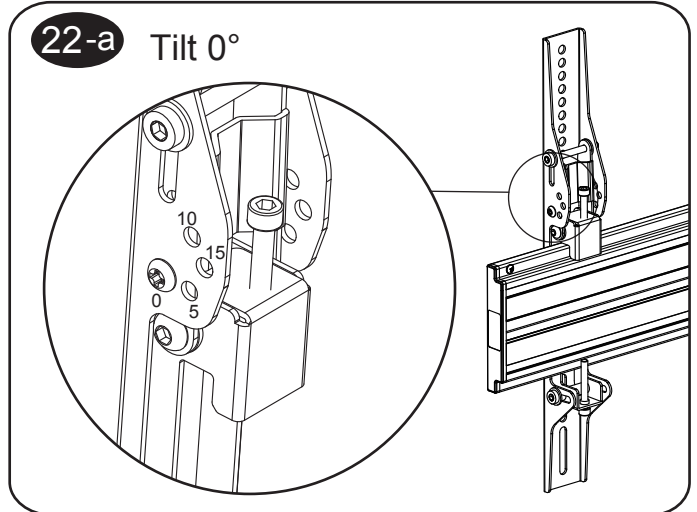
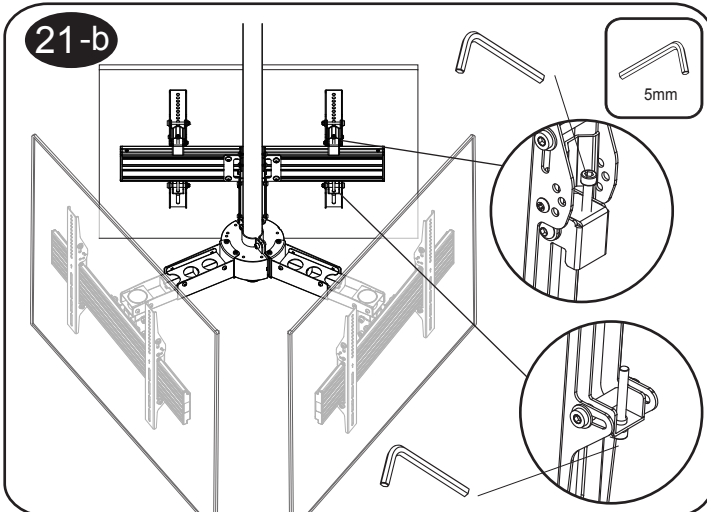
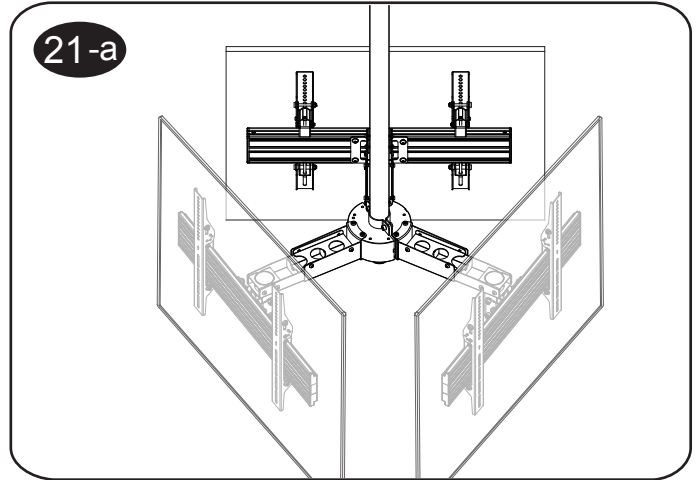
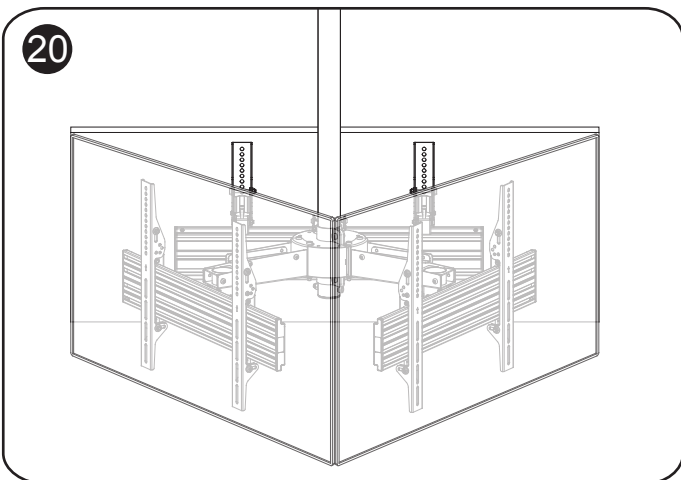
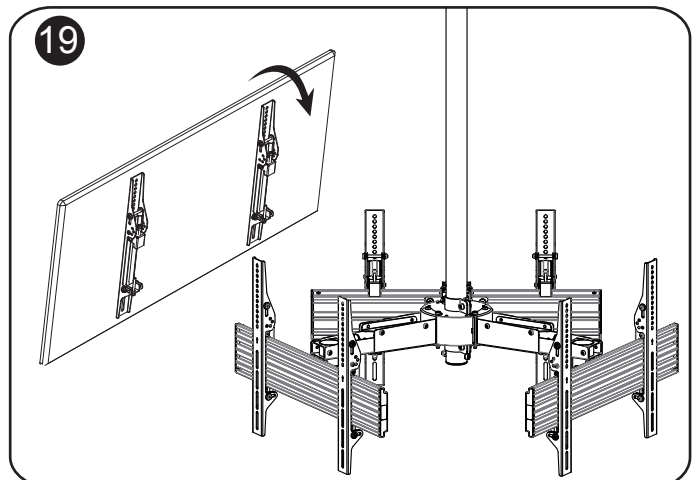
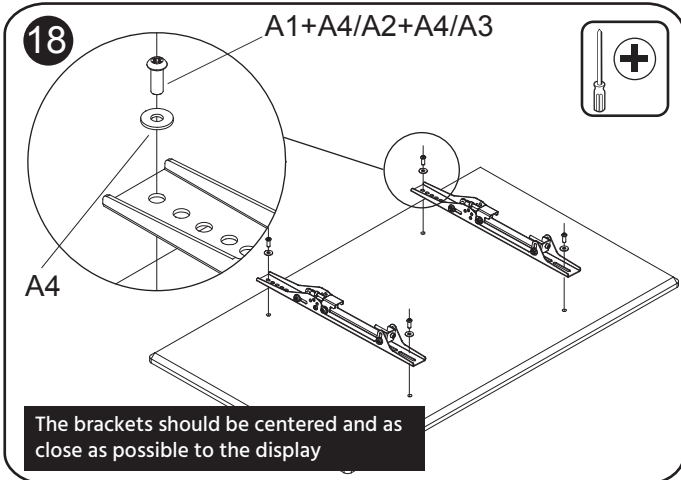
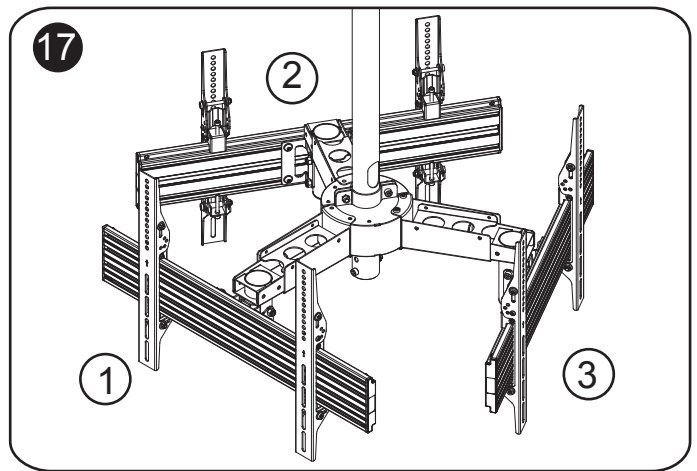
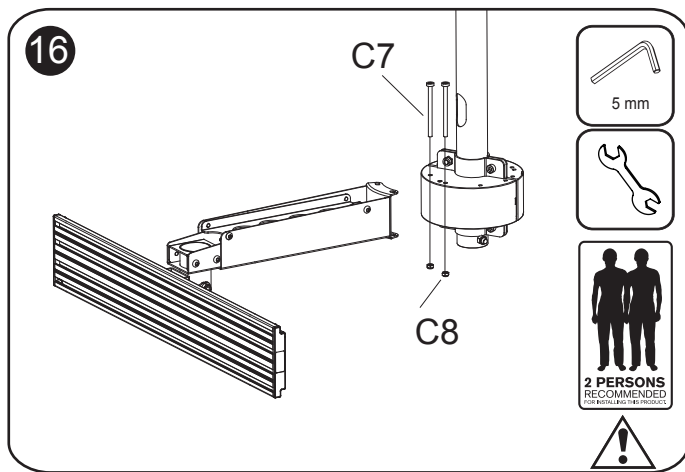
Installation



Incorrect usage, unsecured mounting surfaces, and/or improper installation can cause serious injury or death. Consult a licensed contractor or structural engineer prior to installation.

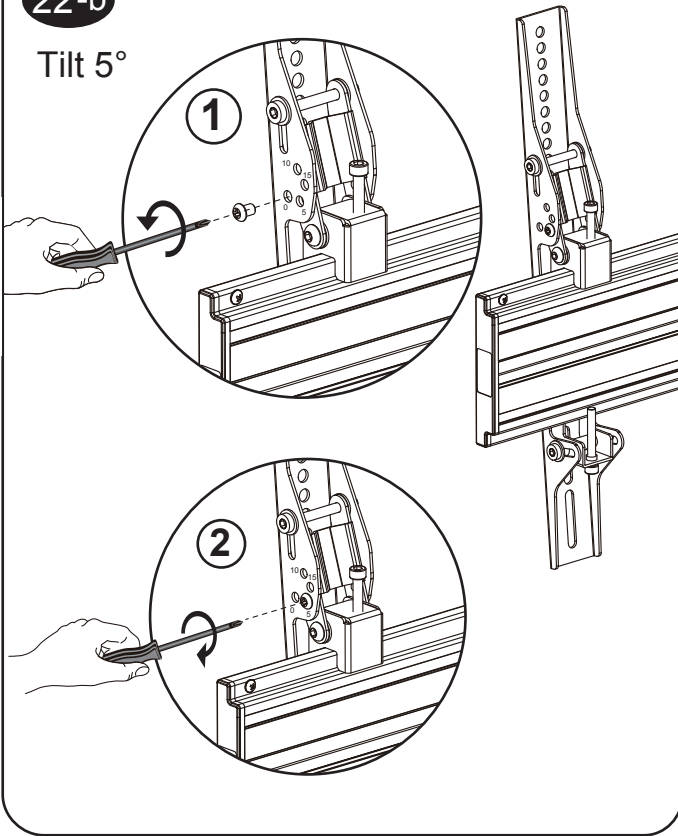






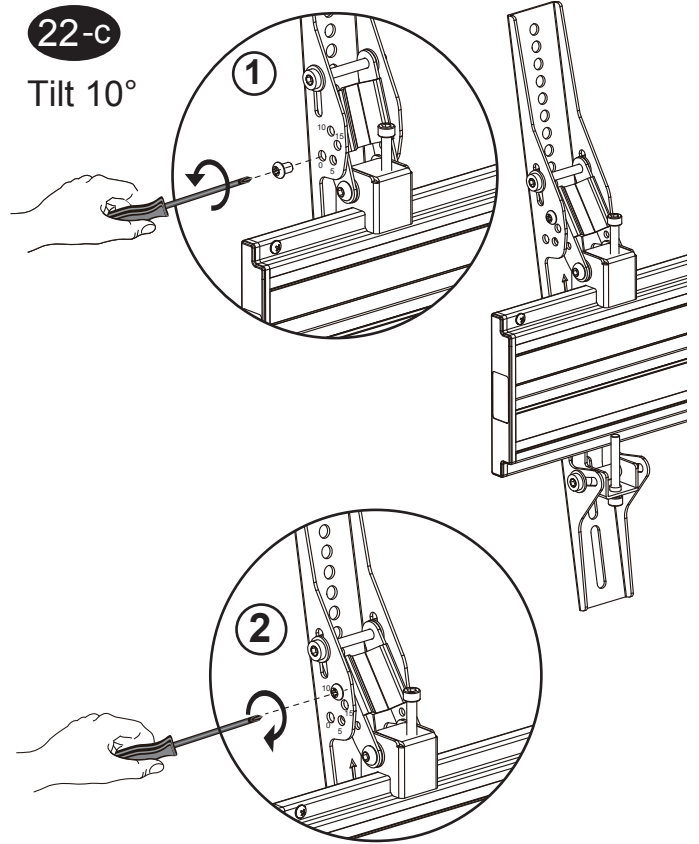
22-b

Tilt 5°



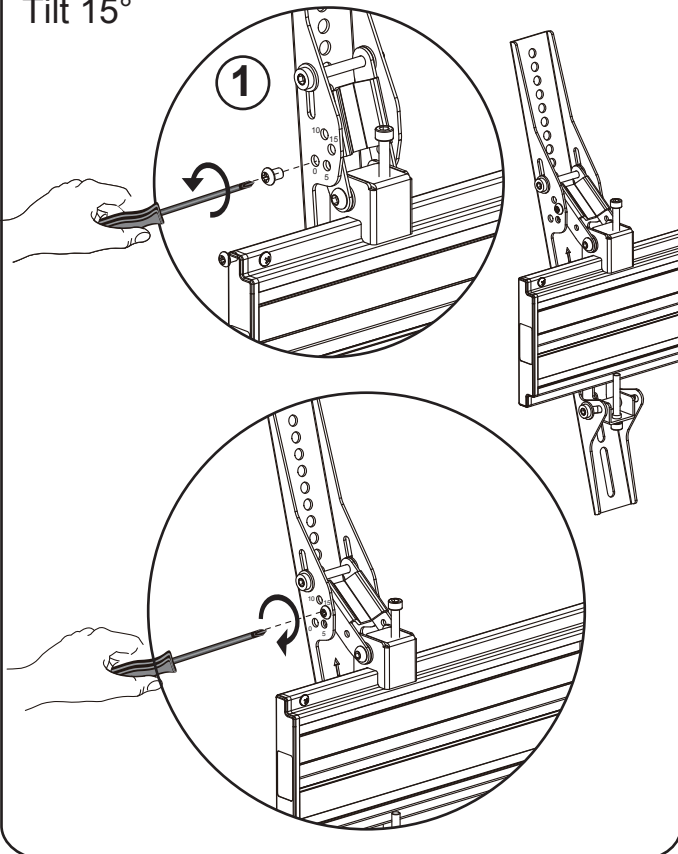
22-c

Tilt 10°

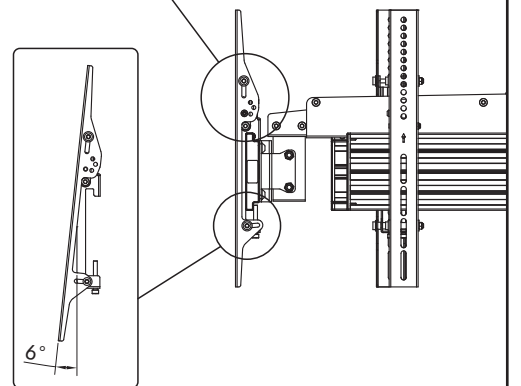
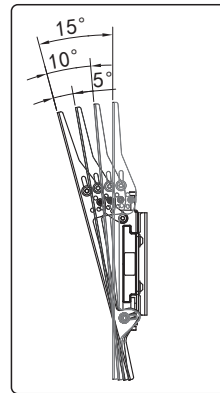


22-d

Tilt 15°



23 Single screen



24

